

CLASSIC MODEL



Aero Vintage 100 Aero Vintage 125 Aero Vintage 150

■ Use

- Exhaust air fan

■ Application:

- Residential premises
- Flats, cottages
- Offices
- Utility spaces
- Trade premises
- Restaurants
- Job sites
- Health care facilities
- Child care facilities

■ Options:

Pull-cord switch

Pull-cord switch

Timer

Timer

- Time delay range from 2 to 30 min

Humidity sensor

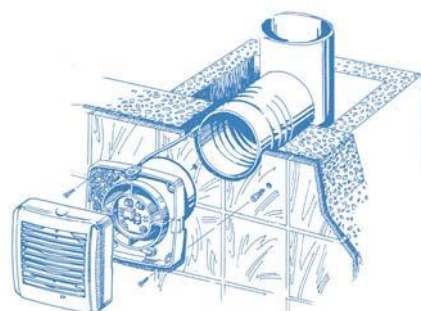
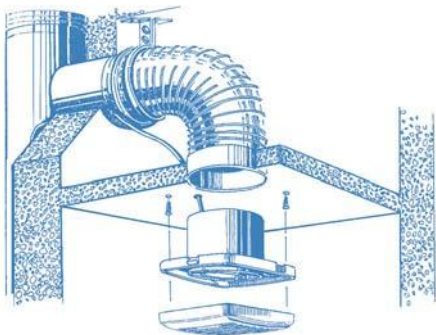
Humidity

- Humidity level range from 50 to 90%
- Time delay range from 2 to 30 min

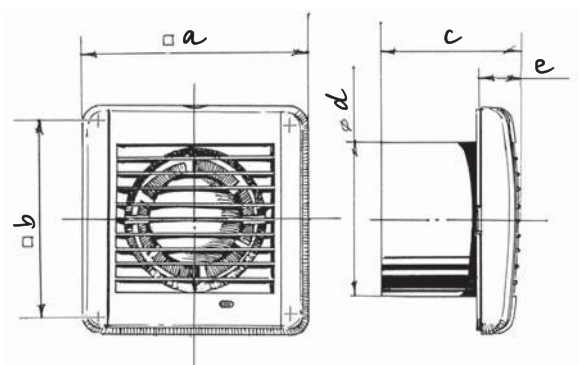
■ Features:

- Wall and ceiling mounting
- Silent impeller
- Easy maintenance
- Long continuous work
- Back valve
- Ball bearing motor
- 5 years guarantee

Type	Pull-cord switch	Timer	Humidity sensor
Aero Vintage 100			
100 S	●		
100 T		●	
100 ST	●	●	
100 H			●
100 SH	●		●
Aero Vintage 125			
125 S	●		
125 T		●	
125 ST	●	●	
125 H			●
125 SH	●		●
Aero Vintage 150			
150 S	●		
150 T		●	
150 ST	●	●	
150 H			●
150 SH	●		●

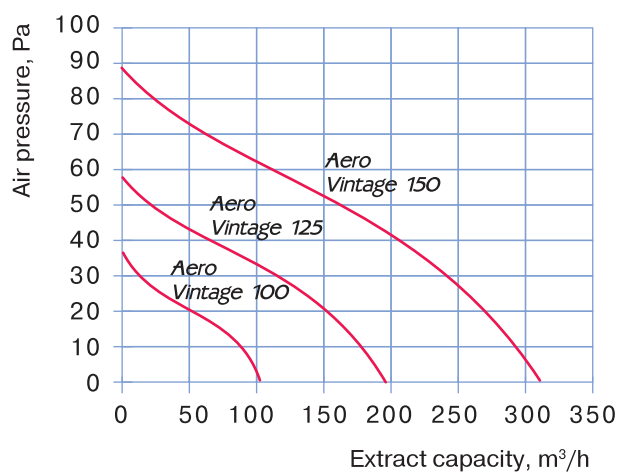


Overall and mounting dimensions



Type	Dimensions, mm				
	a	b	c	d	e
Aero Vintage 100	144	122	92,5	100	29,5
Aero Vintage 125	168	144	97	125	30
Aero Vintage 150	198	170	119	150	30

Specifications



Parameters	Aero Vintage 100	Aero Vintage 125	Aero Vintage 150
Voltage, V	220-240	220-240	220-240
Power, W	14	16	24
Extract capacity, m³/h	102	193	309
Noise level, dBA 3m	38	39	40
r.p.m.	2300	2400	2400



Packing

