

CLASSIC MODEL



Aero 100
Aero 125
Aero 150



Aero Gold



Aero Chrome

Use

- Exhaust air fan

Application:

- Residential premises
- Flats, cottages
- Offices
- Utility spaces
- Trade premises
- Restaurants
- Job sites
- Health care facilities
- Child care facilities

Options:

Pull-cord switch

Pull-cord switch

Timer

Timer

- Time delay range from 2 to 30 min

Humidity sensor

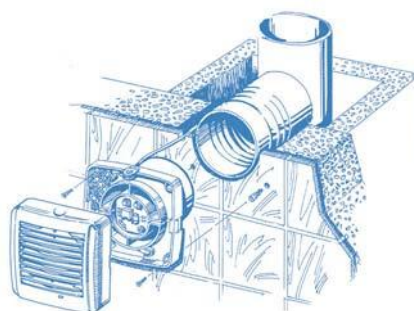
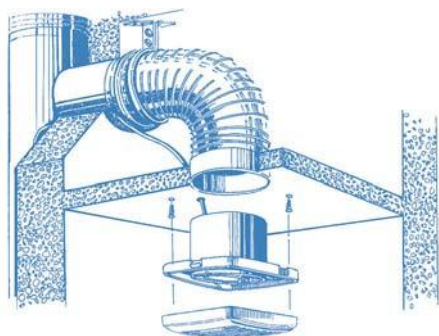
Humidity

- Humidity level range from 50 to 90%
- Time delay range from 2 to 30 min

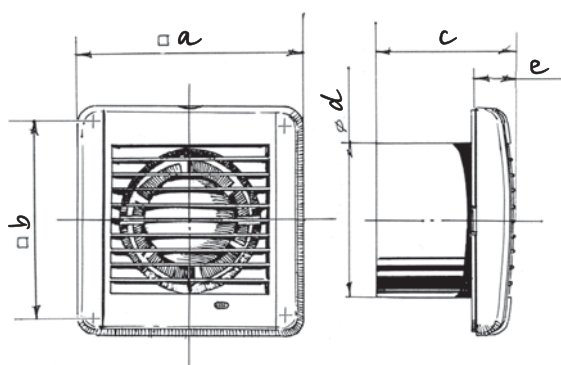
Features:

- Wall and ceiling mounting
- Silent impeller
- Easy maintenance
- Long continuous work
- Back valve
- Ball bearing motor
- Decoration - Aero Chrome, Aero Gold
- 5 years guarantee

Type	Pull-cord switch	Timer	Humidity sensor
Aero 100			
100 S	●		
100 T		●	
100 ST	●	●	
100 H			●
100 SH	●		●
Aero 125			
125 S	●		
125 T		●	
125 ST	●	●	
125 H			●
125 SH	●		●
Aero 150			
150 S	●		
150 T		●	
150 ST	●	●	
150 H			●
150 SH	●		●

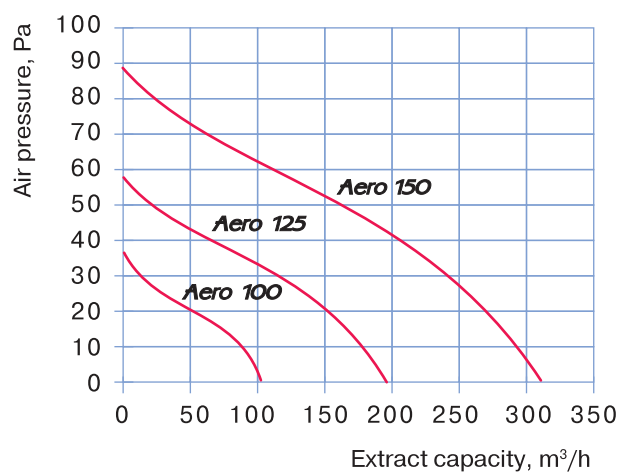


Overall and mounting dimensions



Type	Dimensions, mm				
	a	b	c	d	e
Aero 100	144	122	92,5	100	29,5
Aero 125	168	144	97	125	30
Aero 150	198	170	119	150	30

Specifications



Parameters	Aero 100	Aero 125	Aero 150
Voltage, V	220-240	220-240	220-240
Power, W	14	16	24
Extract capacity, m³/h	102	193	309
Noise level, dBA 3m	38	39	40
r.p.m.	2300	2400	2400



Packing

