

# AUTOMATIC SHUTTERS



Auto 100  
Auto 125  
Auto 150



Auto  
Vintage

## Use

- Exhaust air fan

## Application:

- Residential premises
- Flats, cottages
- Offices
- Utility spaces
- Trade premises
- Restaurants
- Job sites
- Health care facilities
- Child care facilities

## Options:

### Pull-cord switch

Pull-cord switch

### Timer

Timer

- Time delay range from 2 to 30 min

### Humidity sensor

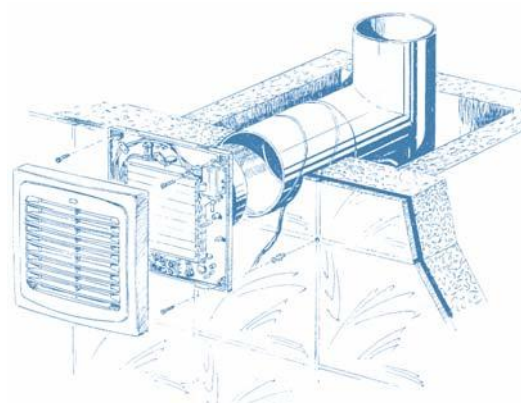
Humidity

- Humidity level range from 50 to 90%
- Time delay range from 2 to 30 min

### Motion sensor

Motion sensor

- Reach distance 1 to 4 m
- Sensor viewing angle up to 100°
- Time delay range from 2 to 30 min

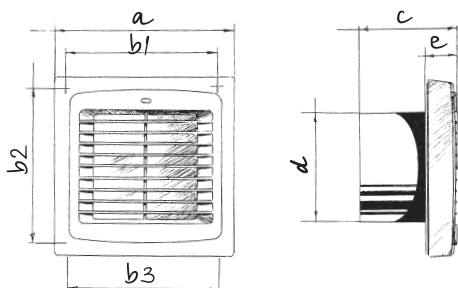


## Features:

- Wall mounting
- Silent impeller
- Easy maintenance
- Long continuous work
- Automatic shutters
- Ball bearing motor
- Decoration - Auto Vintage
- 5 years guarantee

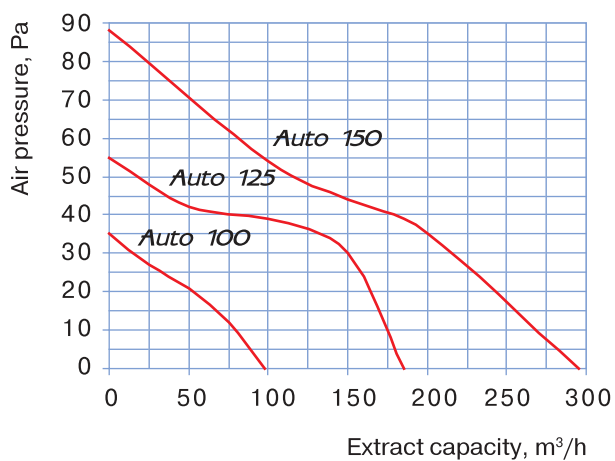
| Type     | Pull-cord switch | Timer | Humidity sensor | Motion sensor |
|----------|------------------|-------|-----------------|---------------|
| Auto 100 |                  |       |                 |               |
| 100 S    | ●                |       |                 |               |
| 100 T    |                  | ●     |                 |               |
| 100 ST   | ●                | ●     |                 |               |
| 100 H    |                  |       | ●               |               |
| 100 SH   | ●                |       | ●               |               |
| 100 IR   |                  |       |                 | ○             |
| Auto 125 |                  |       |                 |               |
| 125 S    | ●                |       |                 |               |
| 125 T    |                  | ●     |                 |               |
| 125 ST   | ●                | ●     |                 |               |
| 125 H    |                  |       | ●               |               |
| 125 SH   | ●                |       | ●               |               |
| 125 IR   |                  |       |                 | ○             |
| Auto 150 |                  |       |                 |               |
| 150 S    | ●                |       |                 |               |
| 150 T    |                  | ●     |                 |               |
| 150 ST   | ●                | ●     |                 |               |
| 150 H    |                  |       | ●               |               |
| 150 SH   | ●                |       | ●               |               |
| 150 IR   |                  |       |                 | ○             |

## Overall and mounting dimensions



| Type     | Dimensions, mm |     |     |     |     |     |    |
|----------|----------------|-----|-----|-----|-----|-----|----|
|          | a              | b1  | b2  | b3  | c   | d   | e  |
| Auto 100 | 166            | 150 | 150 | 150 | 90  | 100 | 30 |
| Auto 125 | 186            | 128 | 173 | 174 | 98  | 125 | 33 |
| Auto 150 | 210            | 150 | 195 | 196 | 115 | 150 | 34 |

## Specifications



| Parameters                          | Auto 100 | Auto 125 | Auto 150 |
|-------------------------------------|----------|----------|----------|
| Voltage, V                          | 220-240  | 220-240  | 220-240  |
| Power, W                            | 18       | 22       | 26       |
| Extract capacity, m <sup>3</sup> /h | 98       | 185      | 295      |
| Noise level, dBA 3m                 | 34       | 35       | 39       |
| r.p.m.                              | 2300     | 2400     | 2400     |



## Packing

