



Axial wall fan
Axis-QRA
Air capacity — up to 1700 m³/h

■ **Use**

- Supply and exhaust ventilation systems installed in various premises.
- Mounting in ventilation systems with low static pressure requiring high air capacity.
- Direct air exhaust.

■ **Design**

- Compact steel casing covered with special polymer coating.
- Aluminium impeller.
- The casing is equipped with a round mounting plate and flange for easy surface wall mounting.
- The fan is equipped with a power cord and external terminal block for connection to power mains.

■ **Motor**

- Single-phase asynchronous external rotor motor with axial impeller.
- Equipped with ball bearings for longer service life.
- Integrated thermal protection with automatic restart.

■ **Speed control**

- Smooth speed control with an external thyristor controller or step speed control with an external auto transformer (both available upon separate order).

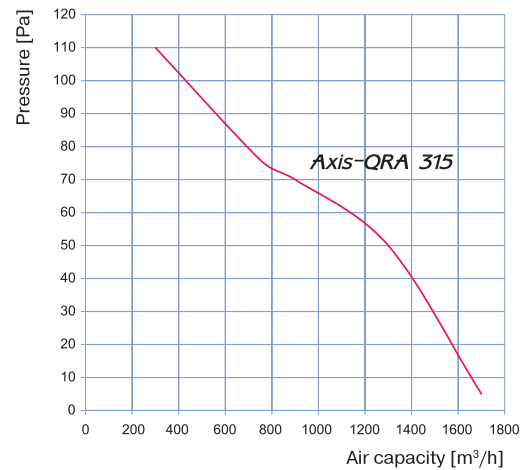
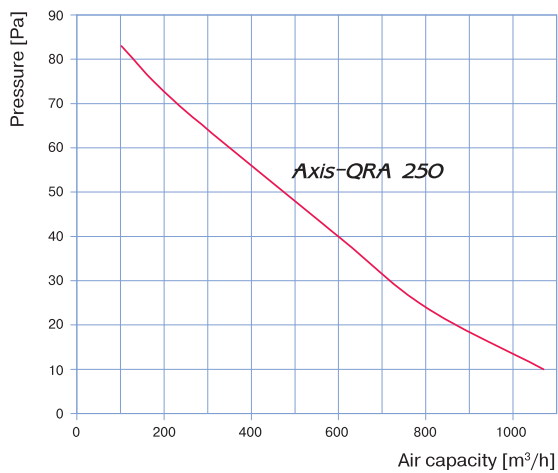
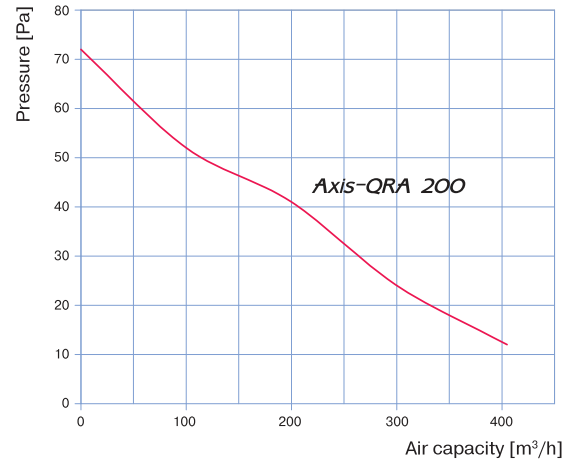
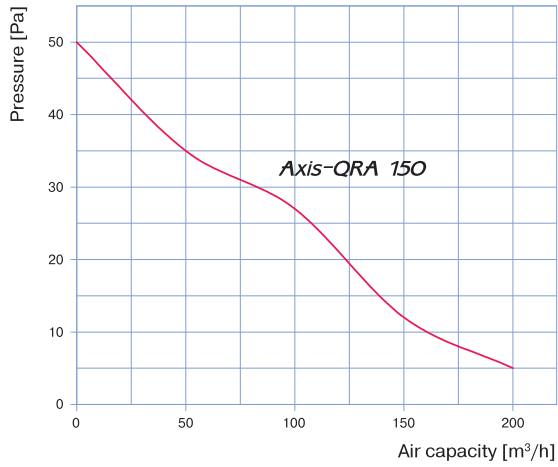
■ **Mounting**

- Wall surface mounting with a round connecting plate.
- Power is supplied through an external terminal box with sealed electrical lead-in.

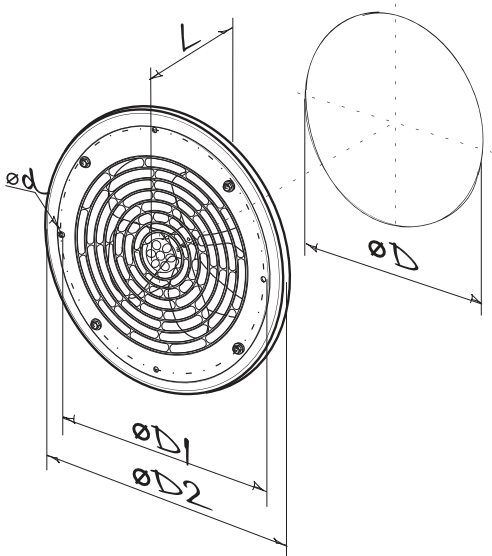
■ **Specifications**

Parameters	Axis-QRA 150	Axis-QRA 200	Axis-QRA 250	Axis-QRA 315
Voltage [V / 50 Hz]	230	230	230	230
Power [W]	36	43	68	110
Current [A]	0,26	0,28	0,48	0,75
Maximum air capacity [m ³ /h]	200	405	1070	1700
RPM [min ⁻¹]	1300	1300	1300	1300
Sound pressure level at 3 m distance [dBA]	33	32	48	54
Max. operating temperature [°C]	40	40	40	40
Ingress protection rating	IP 24	IP 24	IP 24	IP 24

■ Specifications



■ Overall dimensions



Type	Dimensions [mm]					Weight [kg]
	øD	øD1	øD2	ød	L	
Axis-QRA 150	162	190	220	7	120	2,5
Axis-QRA 200	208	270	300	7	120	2,5
Axis-QRA 250	262	330	360	7	140	3,0
Axis-QRA 315	312	390	420	9	170	5,1