



# *2101*

- Wall or Plate Mounted Axial Fan



## SPECIFICATION

---

### Sizes

315, 355, 450, 630, 710, 800, 1000mm diameter

### Fan Performance

The fan is of large volume flow design. The impeller is designed to give excellent performance characteristic with large airflow and low static pressure development

### Impellers

Size 315-710: Powder coated mild steel impact resistance propeller Blade

Size 500-1000: Plastic moulded and Clima Axial with Aluminium hub incorporating Engineering polymer composite material moulded Aerofoil blades. The impellers are balanced according to ISO1940.

### Motor

Manufactured to comply AS1359 high efficiency IE2. Motor enclosure to feature IP55 protection . Motor winding insulation are to incorporate thermal class 155 as standard. Motor bearings are to be of maintenance free ball bearing design.

### Plate

Galvanised steel plate. Impeller/motor assembly to be supported by a galvanised steel. Guards available to be fit as options.

### Test Procedures

Performance Date – Established from tests in accordance with ISO5801:1997

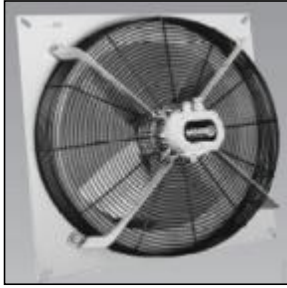
Sound levels – Established from tests in accordance with ISO3745

Woods Clima Axial Impeller



# Plate Mounted Axial Fan

2101-3141



### Impeller

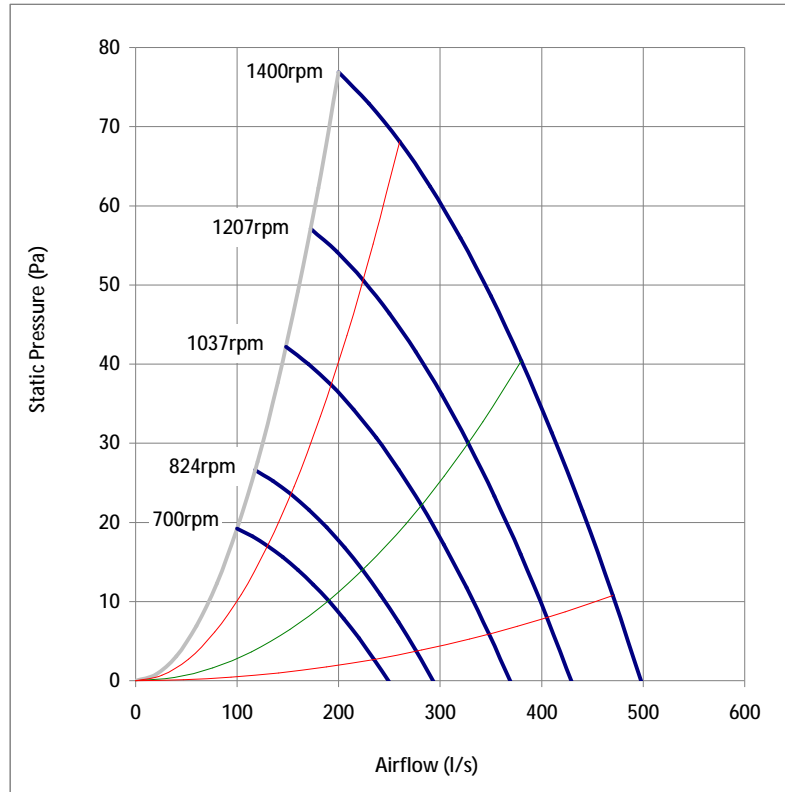
Size 310 mm  
 Type Axial Arefoil  
 Material Aluminium clad mild steel  
 Motor finish Aluminium

### Motor

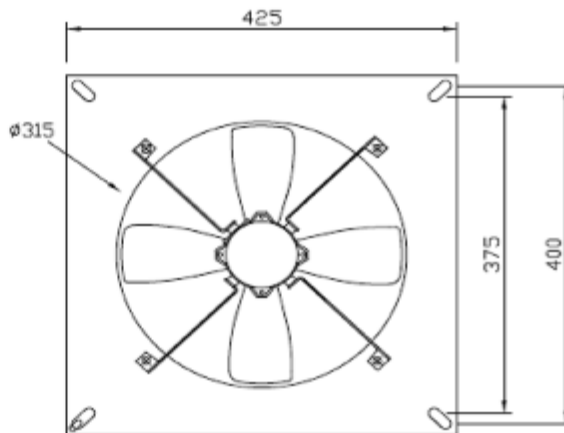
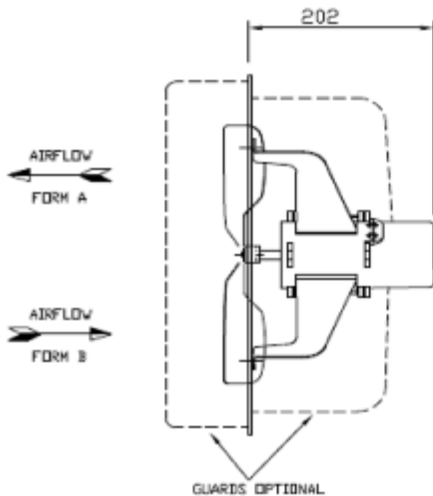
Type TEFC  
 IP Rating 55  
 Insulation Class 155  
 Power 0.07 Kw  
 Power Supply 230V/1PH/50Hz  
 Speed 1400 RPM  
 FLC 0.50 A  
 Capacitor 2.5 µF  
 Control RE1.5, 5 Step Controller  
 Protection Thermal Contacts

### Fan

Plate Galvanised metal  
 Weight 7Kg  
 Max. Temp 50 °C

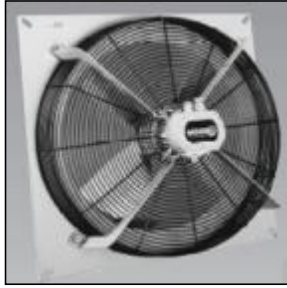


Speed (rpm)	Peak Pressure (Pa)	Peak Power (kw)	Motor Running Voltage (V)	Sound Power Level SWL (dB re 1pw)								Sound Pressure Level (dB at 3 meters)
				63	125	250	500	1k	2k	4k	8k	
1400	77	0.07	230	68	68	67	65	64	62	62	56	49
1207	57	0.04	200	65	65	64	62	61	59	59	53	46
1037	42	0.03	170	61	61	60	58	57	55	55	49	42
824	27	0.01	130	56	56	55	53	52	50	50	44	37
700	19	0.01	110	53	53	52	50	49	47	47	41	34



# Plate Mounted Axial Fan

2101-3541



### Impeller

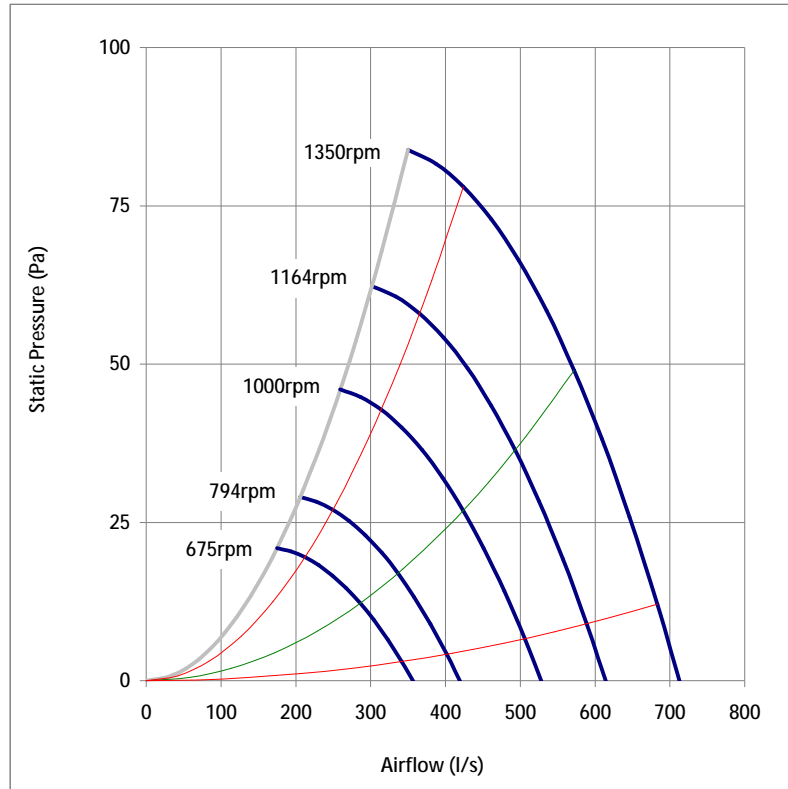
Size 350 mm  
 Type Axial Arefoil  
 Material Aluminium clad mild steel  
 Motor finish Aluminium

### Motor

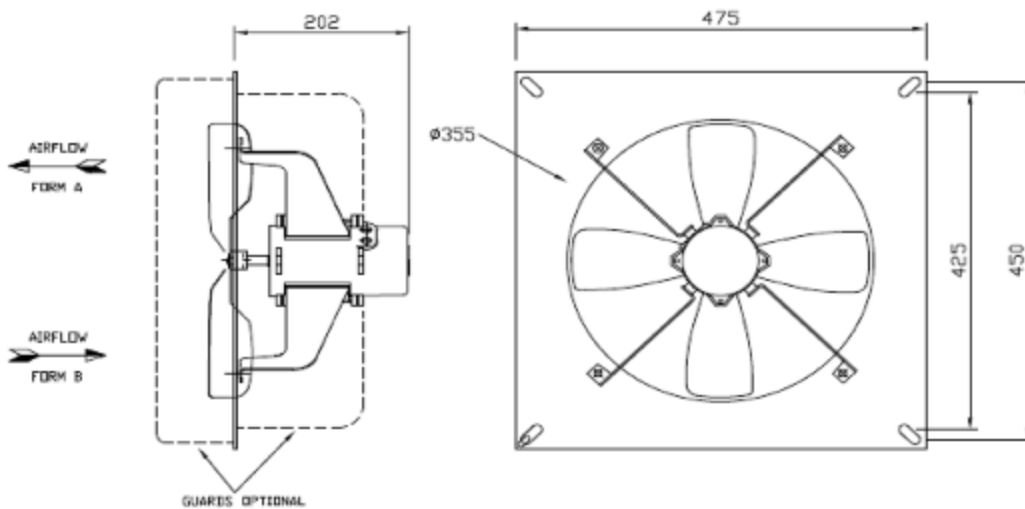
Type TEFC  
 IP Rating 55  
 Insulation Class 155  
 Power 0.10 Kw  
 Power Supply 230V/1PH/50Hz  
 Speed 1350 RPM  
 FLC 0.80 A  
 Capacitor 5 µF  
 Control RE1.5, 5 Step Controller  
 Protection Thermal Contacts

### Fan

Plate Galvanised metal  
 Weight 9kg  
 Max. Temp 50 °C

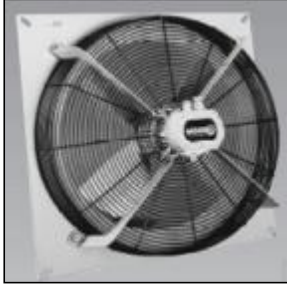


Speed (rpm)	Peak Pressure (Pa)	Peak Power (kw)	Motor Running Voltage (V)	Sound Power Level SWL dB re 1pw								Sound Pressure Level dB at 3 meters
				63	125	250	500	1k	2k	4k	8k	
1350	84	0.10	230	72	72	71	69	68	66	66	60	53
1164	62	0.06	200	69	69	68	66	65	63	63	57	50
1000	46	0.04	170	65	65	64	62	61	59	59	53	46
794	29	0.02	130	60	60	59	57	56	54	54	48	41
675	21	0.01	110	57	57	56	54	53	51	51	45	38



# Plate Mounted Axial Fan

2101-4541



### Impeller

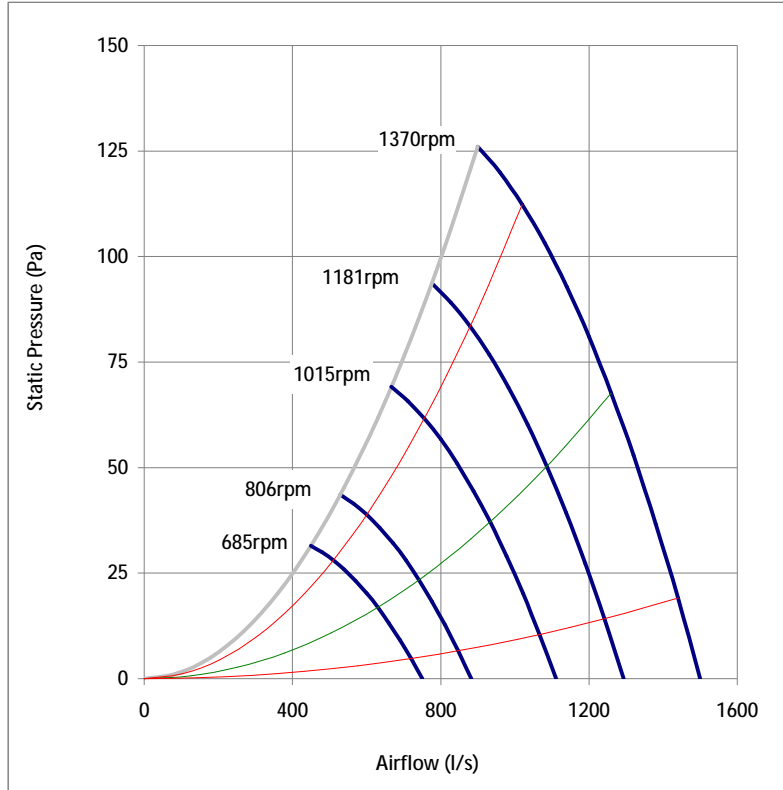
Size 450 mm  
 Type Axial Arefoil  
 Material Aluminium clad mild steel  
 Motor finish Aluminium

### Motor

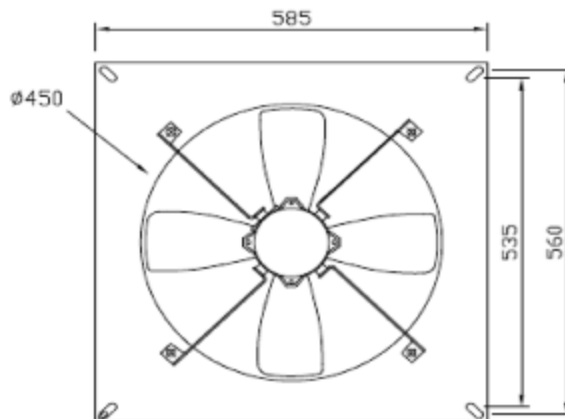
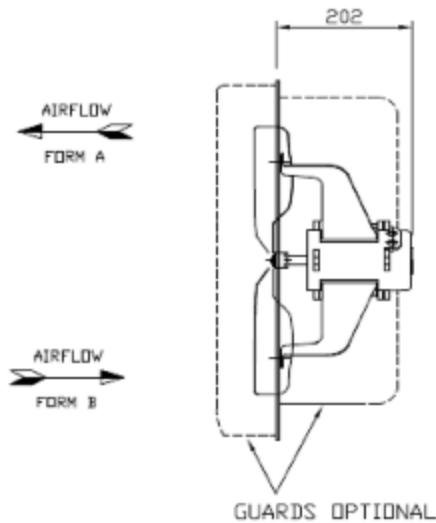
Type TEFC  
 IP Rating 55  
 Insulation Class 155  
 Power 0.31 Kw  
 Power Supply 230V/1PH/50Hz  
 Speed 1370 RPM  
 FLC 2.20 A  
 Capacitor -  
 Control RE1.5, 5 Step Controller  
 Protection Thermal Contacts

### Fan

Plate Galvanised metal  
 Weight 10Kg  
 Max. Temp 50 °C

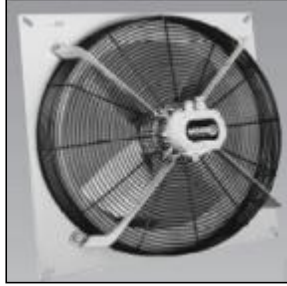


Speed (rpm)	Peak Pressure (Pa)	Peak Power (kw)	Motor Running Voltage (V)	Sound Power Level SWL dB re 1pw								Sound Pressure Level dB at 3 meters
				63	125	250	500	1k	2k	4k	8k	
1370	126	0.31	230	79	79	78	76	75	73	73	67	60
1181	94	0.20	200	76	76	75	73	72	70	70	64	57
1015	69	0.13	170	72	72	71	69	68	66	66	60	53
806	44	0.06	130	67	67	66	64	63	61	61	55	48
685	32	0.04	110	64	64	63	61	60	58	58	52	45



# Plate Mounted Axial Fan

2101-4543



### Impeller

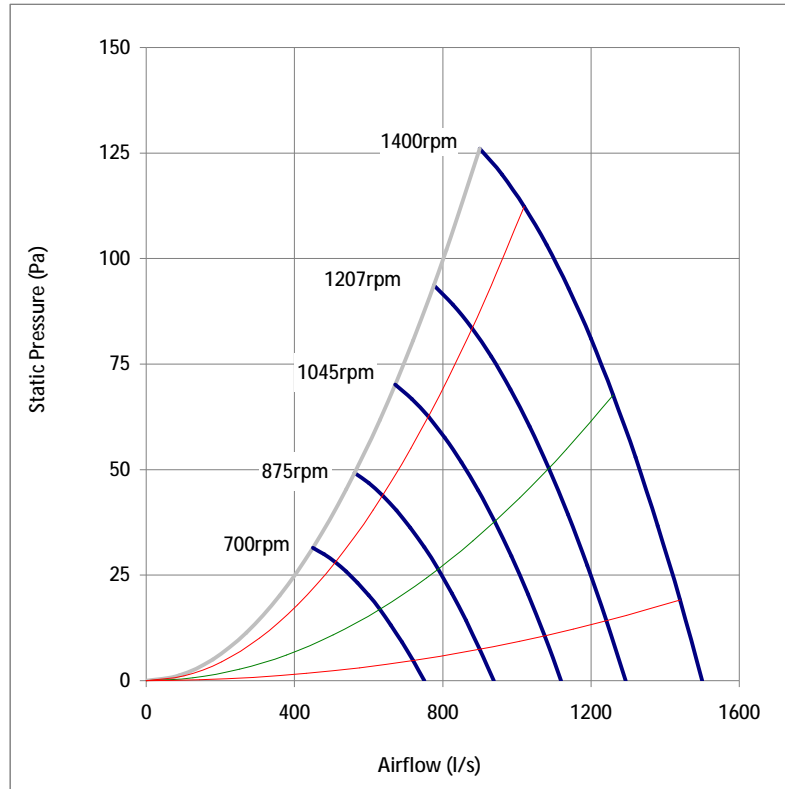
Size 450 mm  
 Type Axial Arefoil  
 Material Aluminium clad mild steel  
 Motor finish Powder Coating RAL7032

### Motor

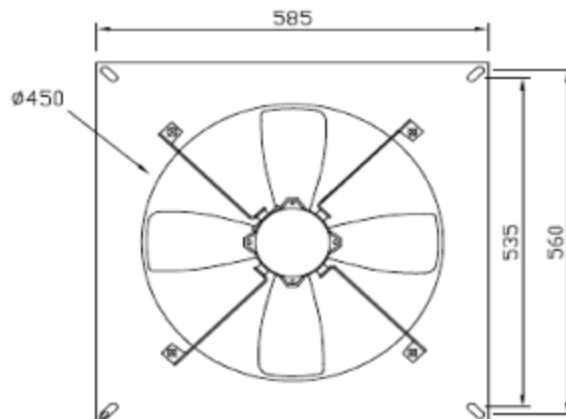
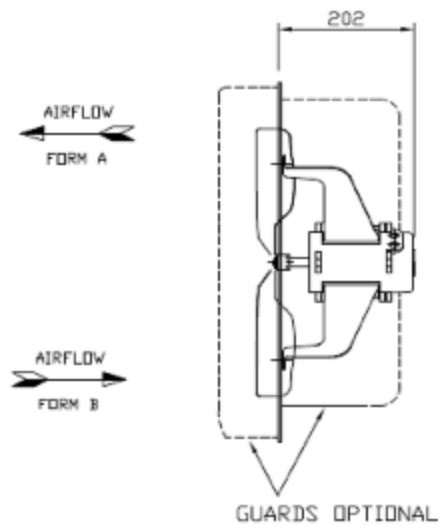
Type TEFC  
 IP Rating 55  
 Insulation Class 155  
 Power 0.37 Kw  
 Power Supply 400V/3PH/50Hz  
 Speed 1400 RPM  
 FLC 0.90 A  
 Capacitor -  
 Control Variable Speed Drive  
 Protection Thermistor

### Fan

Plate Galvanised metal  
 Weight 10Kg  
 Max. Temp 50 °C

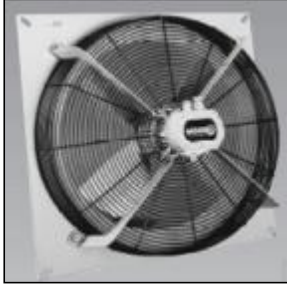


Speed (rpm)	Peak Pressure (Pa)	Peak Power (kw)	Running Frequency	Sound Power Level SWL (dB re 1pw)								Sound Pressure Level (dB at 3 meters)
				63	125	250	500	1k	2k	4k	8k	
1400	126	0.37	50	79	79	78	76	75	73	73	67	60
1207	94	0.24	43	76	76	75	73	72	70	70	64	57
1045	70	0.15	37	73	73	72	70	69	67	67	61	54
875	49	0.09	31	69	69	68	66	65	63	63	57	50
700	32	0.05	25	64	64	63	61	60	58	58	52	45



# Plate Mounted Axial Fan

2101-4561



### Impeller

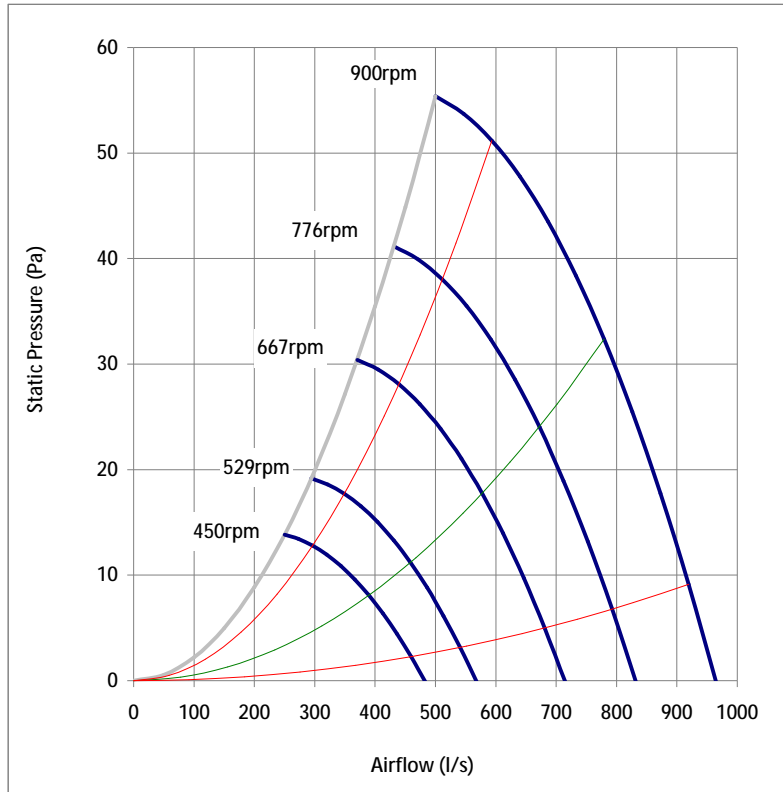
Size 450 mm  
 Type Axial Arefoil  
 Material Aluminium clad mild steel  
 Motor finish Aluminium

### Motor

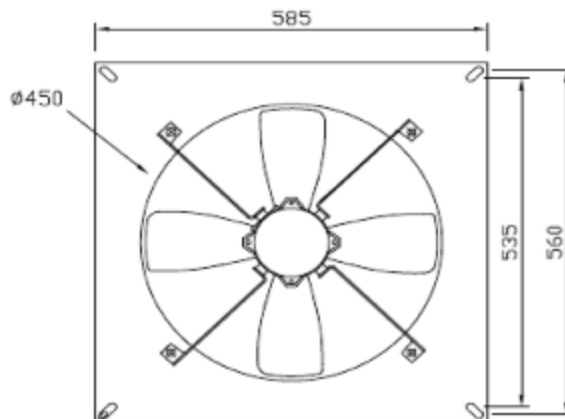
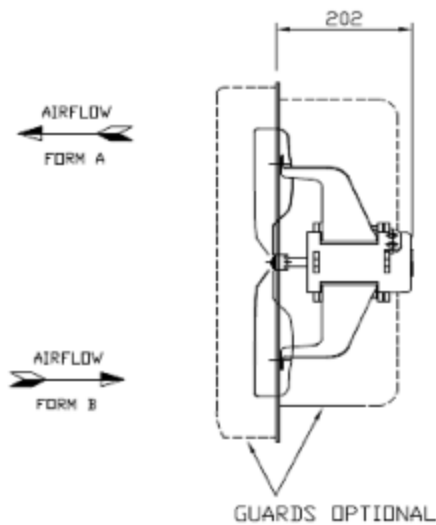
Type TEFC  
 IP Rating 55  
 Insulation Class 155  
 Power 0.08 Kw  
 Power Supply 230V/1PH/50Hz  
 Speed 900 RPM  
 FLC 1.00 A  
 Capacitor -  
 Control RE1.5, 5 Step Controller  
 Protection Thermal Contacts

### Fan

Plate Galvanised metal  
 Weight 10Kg  
 Max. Temp 50 °C

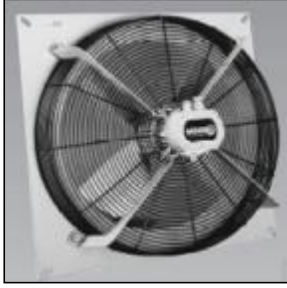


Speed (rpm)	Peak Pressure (Pa)	Peak Power (kw)	Motor Running Voltage (V)	Sound Power Level SWL (dB re 1pw)								Sound Pressure Level (dB at 3 meters)
				63	125	250	500	1k	2k	4k	8k	
900	55	0.08	230	69	69	68	66	65	63	63	57	50
776	41	0.05	200	66	66	65	63	62	60	60	54	47
667	30	0.03	170	62	62	61	59	58	56	56	50	43
529	19	0.02	130	57	57	56	54	53	51	51	45	38
450	14	0.01	110	54	54	53	51	50	48	48	42	35



# Plate Mounted Axial Fan

2101-4563



### Impeller

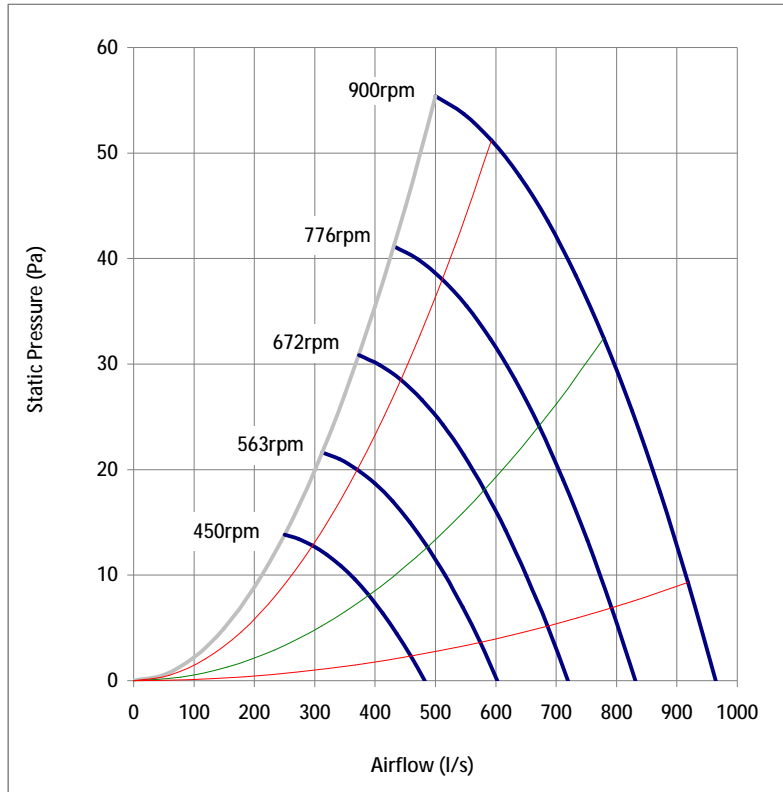
Size 450 mm  
 Type Axial Arefoil  
 Material Aluminium clad mild steel  
 Motor finish Powder Coating RAL7032

### Motor

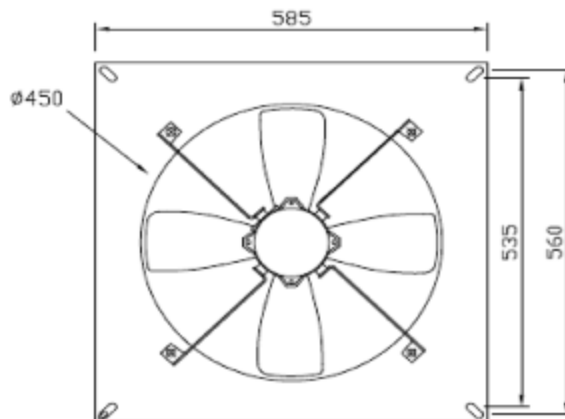
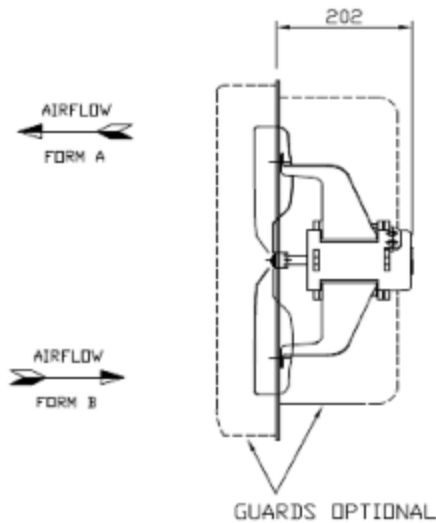
Type TEFC  
 IP Rating 55  
 Insulation Class 155  
 Power 0.18 Kw  
 Power Supply 230V/1PH/50Hz  
 Speed 900 RPM  
 FLC 0.50 A  
 Capacitor -  
 Control Variable Speed Drive  
 Protection Thermistor

### Fan

Plate Galvanised metal  
 Weight 10Kg  
 Max. Temp 50 °C



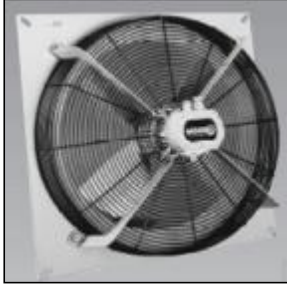
Speed (rpm)	Peak Pressure (Pa)	Peak Power (kw)	Running Frequency	Sound Power Level SWL (dB re 1pw)								Sound Pressure Level (dB at 3 meters)
				63	125	250	500	1k	2k	4k	8k	
900	55	0.18	50	69	69	68	66	65	63	63	57	50
776	41	0.12	43	66	66	65	63	62	60	60	54	47
672	31	0.07	37	63	63	62	60	59	57	57	51	44
563	22	0.04	31	59	59	58	56	55	53	53	47	40
450	14	0.02	25	54	54	53	51	50	48	48	42	35





# Plate Mounted Axial Fan

2101-5041



### Impeller

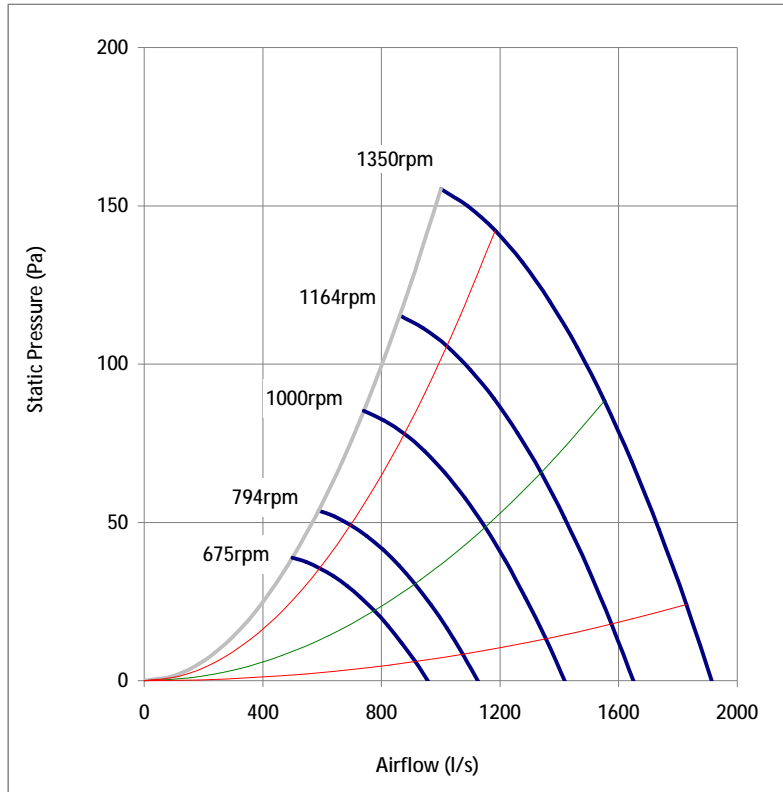
Size 500 mm  
 Type Axial Arefoil  
 Material Aluminium clad mild steel  
 Motor finish Aluminium

### Motor

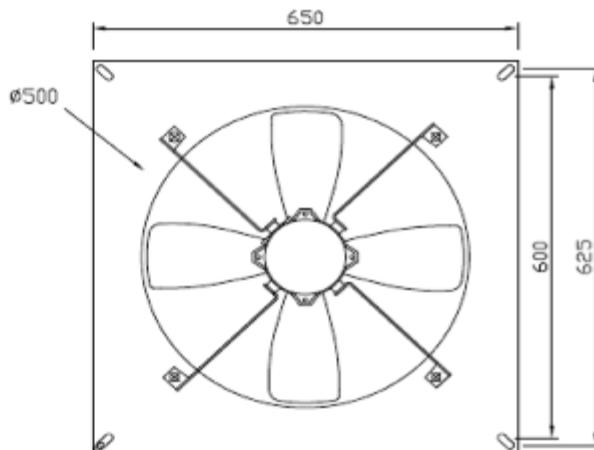
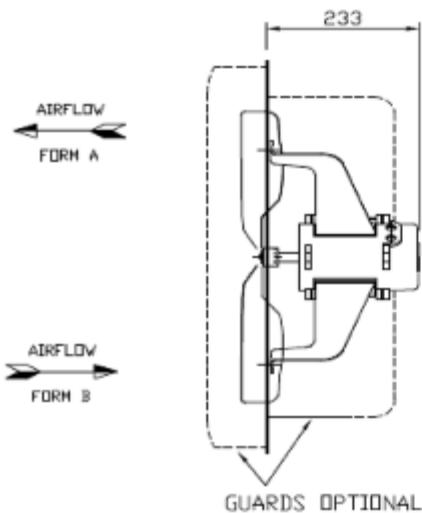
Type TEFC  
 IP Rating 55  
 Insulation Class 155  
 Power 0.52 Kw  
 Power Supply 230V/1PH/50Hz  
 Speed 1350 RPM  
 FLC 2.80 A  
 Capacitor 15 µF  
 Control RE3.5, 5 Step Controller  
 Protection Thermal Contacts

### Fan

Plate Galvanised metal  
 Weight 12Kg  
 Max. Temp 50 °C

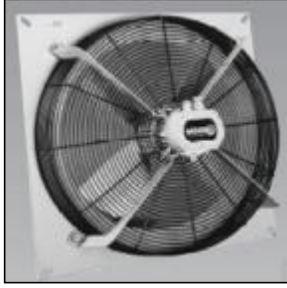


Speed (rpm)	Peak Pressure (Pa)	Peak Power (kw)	Motor Running Voltage (V)	Sound Power Level SWL dB re 1pw								Sound Pressure Level dB at 3 meters
				63	125	250	500	1k	2k	4k	8k	
1350	155	0.52	230	79	81	81	79	77	76	73	67	62
1164	115	0.33	200	76	78	78	76	74	73	70	64	59
1000	85	0.21	170	72	74	74	72	70	69	66	60	55
794	54	0.11	130	67	69	69	67	65	64	61	55	50
675	39	0.07	110	64	66	66	64	62	61	58	52	47



# Plate Mounted Axial Fan

2101-5061



### Impeller

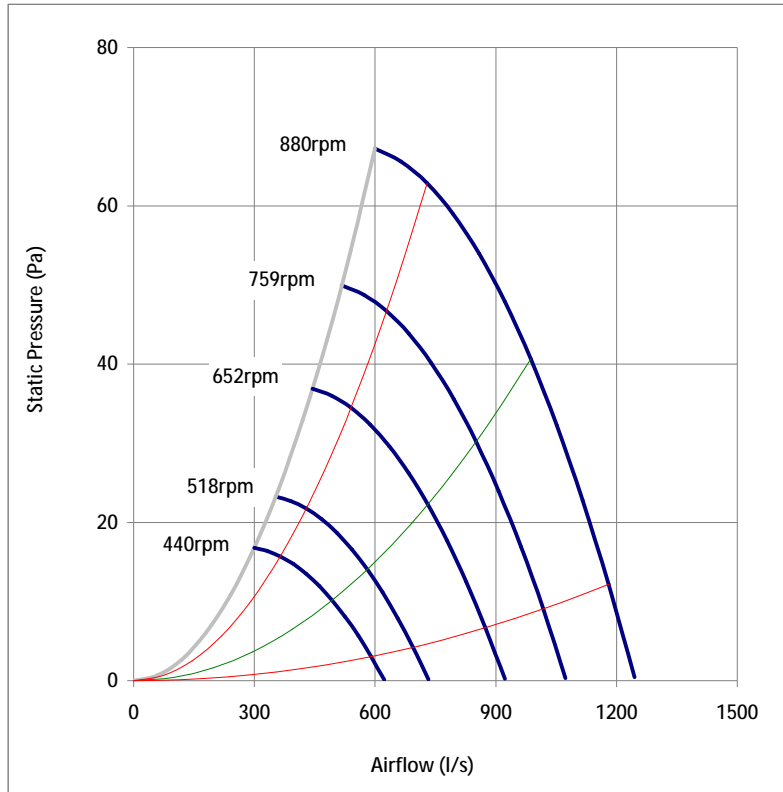
Size 500 mm  
 Type Axial Arefoil  
 Material Aluminium clad mild steel  
 Motor finish Aluminium

### Motor

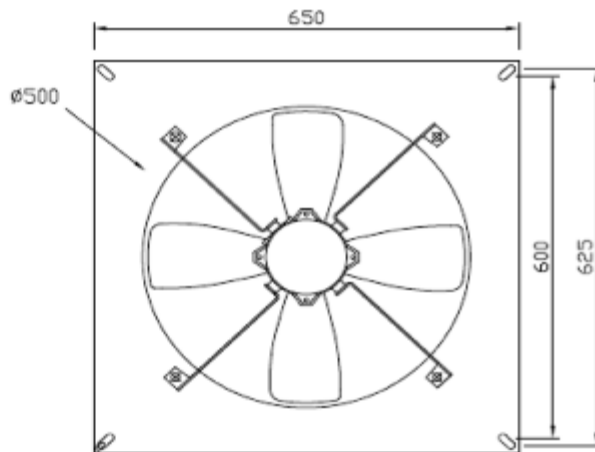
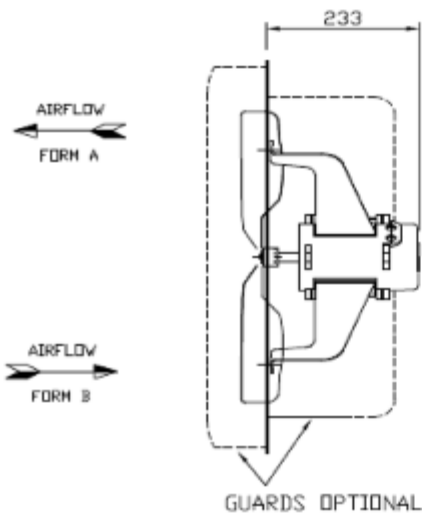
Type TEFC  
 IP Rating 55  
 Insulation Class 155  
 Power 0.22 Kw  
 Power Supply 230V/1PH/50Hz  
 Speed 880 RPM  
 FLC 1.80 A  
 Capacitor 8 µF  
 Control RE3.5, 5 Step Controller  
 Protection Thermal Contacts

### Fan

Plate Galvanised metal  
 Weight 12Kg  
 Max. Temp 50 °C

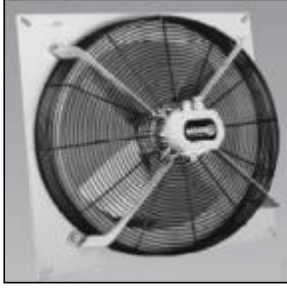


Speed (rpm)	Peak Pressure (Pa)	Peak Power (kw)	Motor Running Voltage (V)	Sound Power Level SWL dB re 1pw								Sound Pressure Level dB at 3 meters
				63	125	250	500	1k	2k	4k	8k	
880	67	0.22	230	69	71	71	69	67	66	63	57	52
759	50	0.14	200	66	68	68	66	64	63	60	54	49
652	37	0.09	170	62	64	64	62	60	59	56	50	45
518	23	0.04	130	57	59	59	57	55	54	51	45	40
440	17	0.03	110	54	56	56	54	52	51	48	42	37



# Plate Mounted Axial Fan

2101-6361



### Impeller

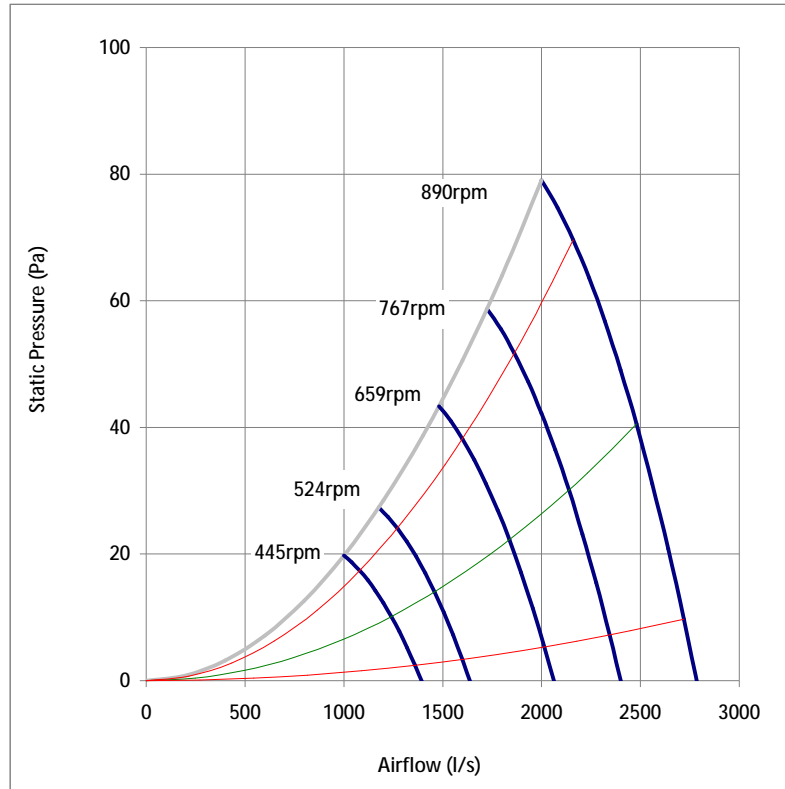
Size 630 mm  
 Type Axial Arefoil  
 Material Aluminium clad mild steel  
 Motor finish Aluminium

### Motor

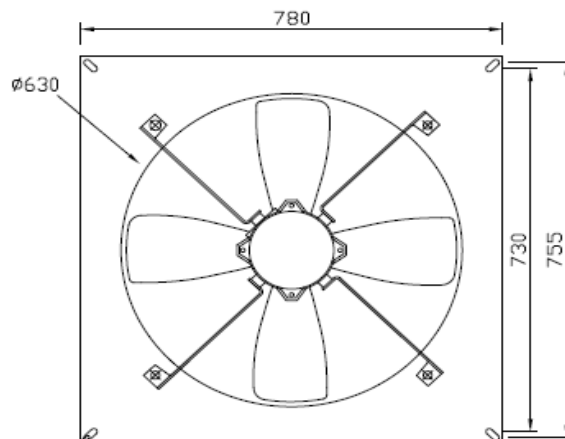
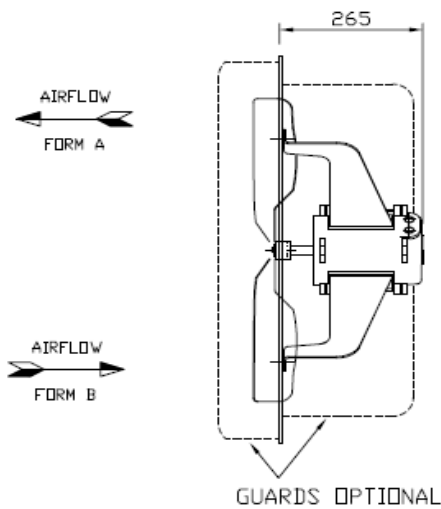
Type TEFC  
 IP Rating 55  
 Insulation Class 155  
 Power 0.43 Kw  
 Power Supply 230V/1PH/50Hz  
 Speed 890 RPM  
 FLC 3.30 A  
 Capacitor -  
 Control RE3.5, 5 Step Controller  
 Protection Thermal Contacts

### Fan

Plate Galvanised metal  
 Weight 18Kg  
 Max. Temp 50 °C

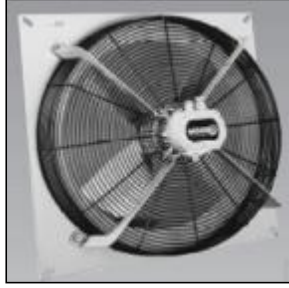


Speed (rpm)	Peak Pressure (Pa)	Peak Power (kw)	Motor Running Voltage (V)	Sound Power Level SWL dB re 1pw								Sound Pressure Level dB at 3 meters
				63	125	250	500	1k	2k	4k	8k	
890	79	0.43	230	77	79	79	77	75	74	71	65	60
767	59	0.28	200	74	76	76	74	72	71	68	62	57
659	43	0.17	170	70	72	72	70	68	67	64	58	53
524	27	0.09	130	65	67	67	65	63	62	59	53	48
445	20	0.05	110	62	64	64	62	60	59	56	50	45



# Plate Mounted Axial Fan

2101-6363



### Impeller

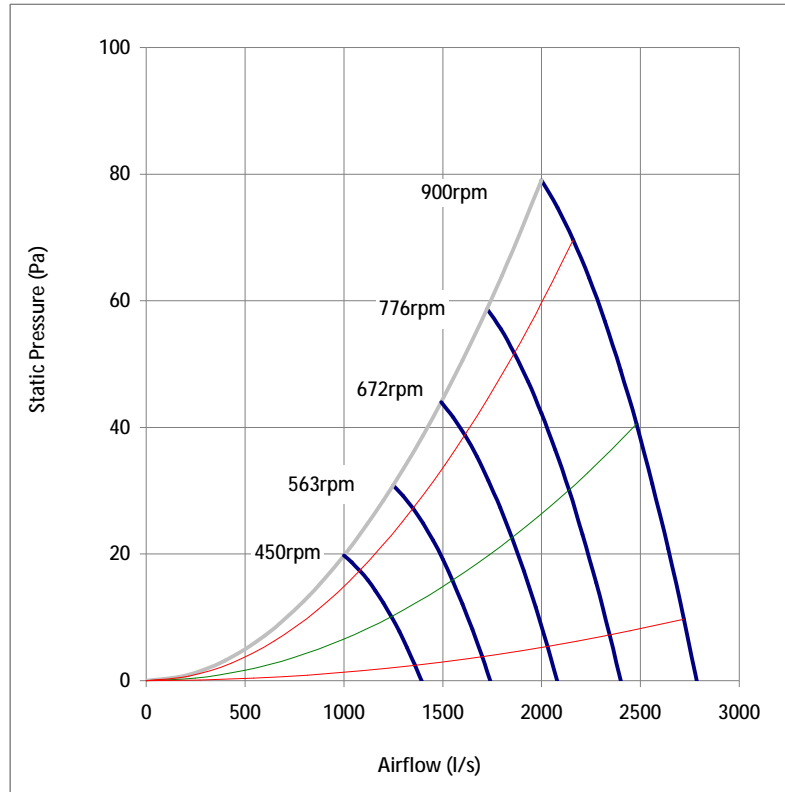
Size 630 mm  
 Type Axial Arefoil  
 Material Aluminium clad mild steel  
 Motor finish Powder Coating RAL7032

### Motor

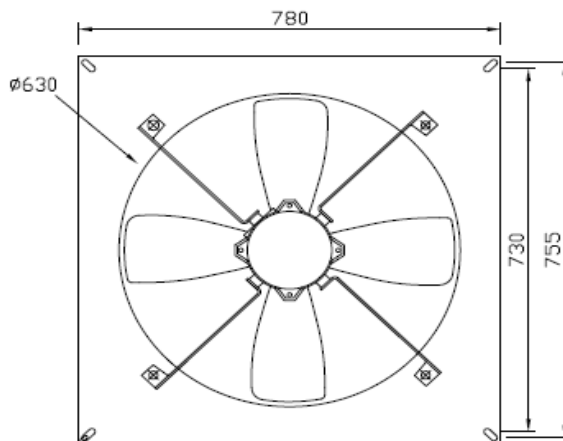
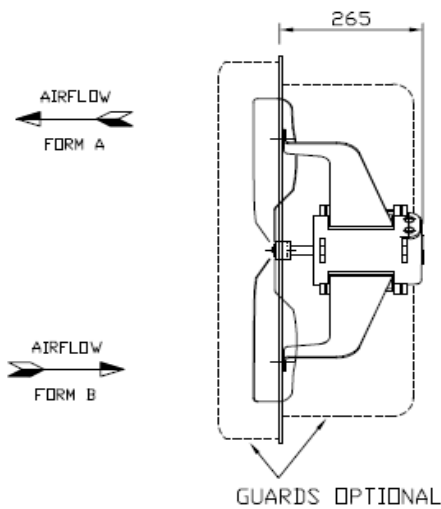
Type TEFC  
 IP Rating 55  
 Insulation Class 155  
 Power 0.55 Kw  
 Power Supply 400V/3PH/50Hz  
 Speed 900 RPM  
 FLC 1.80 A  
 Capacitor -  
 Control Variable Speed Drive  
 Protection Thermistor

### Fan

Plate Galvanised metal  
 Weight 18Kg  
 Max. Temp 50 °C

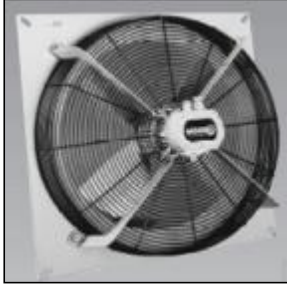


Speed (rpm)	Peak Pressure (Pa)	Peak Power (kw)	Running Frequency	Sound Power Level SWL dB re 1pw								Sound Pressure Level dB at 3 meters
				63	125	250	500	1k	2k	4k	8k	
900	79	0.55	50	77	79	79	77	75	74	71	65	60
776	59	0.35	43	74	76	76	74	72	71	68	62	57
672	44	0.23	37	71	73	73	71	69	68	65	59	54
563	31	0.13	31	67	69	69	67	65	64	61	55	50
450	20	0.07	25	62	64	64	62	60	59	56	50	45



# Plate Mounted Axial Fan

2101-7161



### Impeller

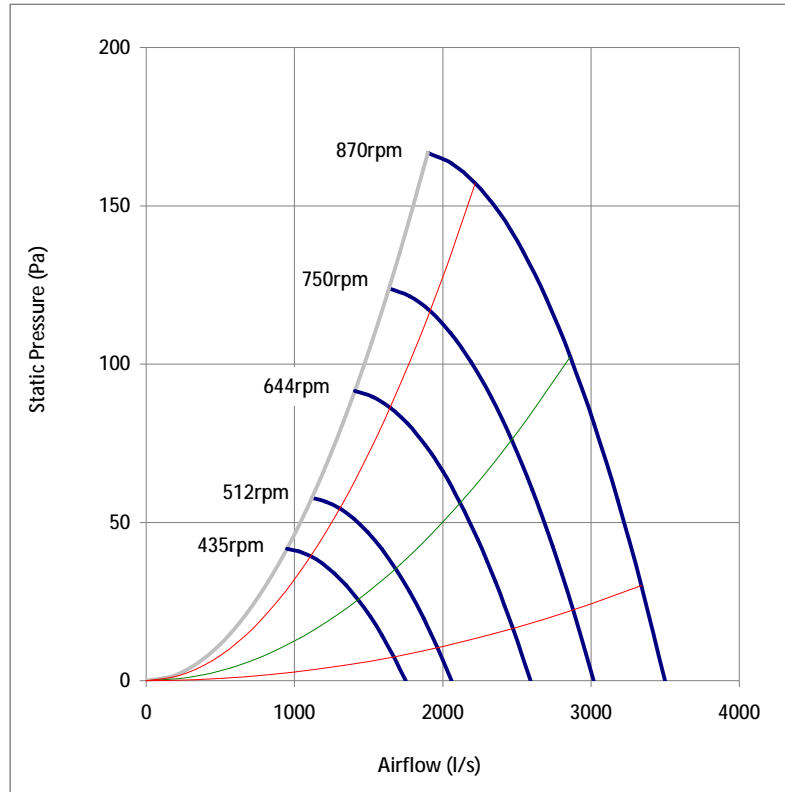
Size 710 mm  
 Type Axial Arefoil  
 Material Aluminium clad mild steel  
 Motor finish Aluminium

### Motor

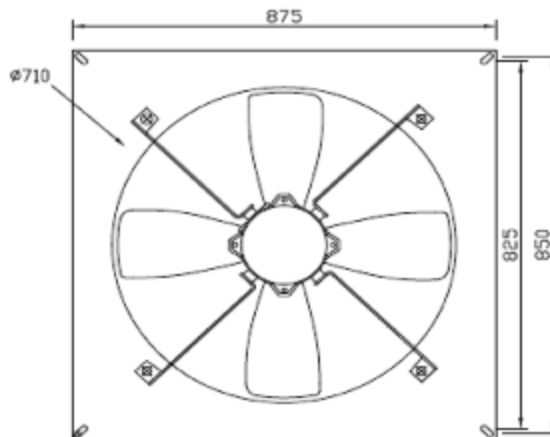
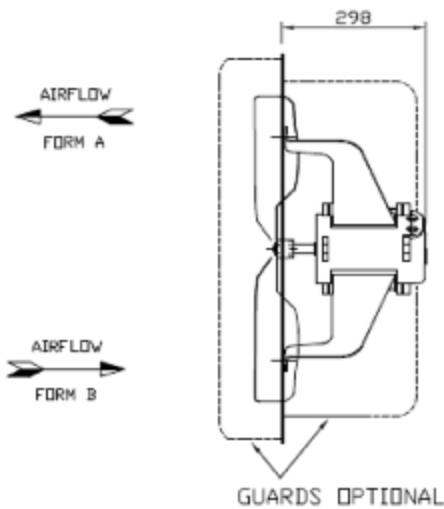
Type TEFC  
 IP Rating 55  
 Insulation Class 155  
 Power 0.49 Kw  
 Power Supply 230V/1PH/50Hz  
 Speed 870 RPM  
 FLC 3.30 A  
 Capacitor -  
 Control RE3.5, 5 Step Controller  
 Protection Thermal Contacts

### Fan

Plate Galvanised metal  
 Weight 19Kg  
 Max. Temp 50 °C

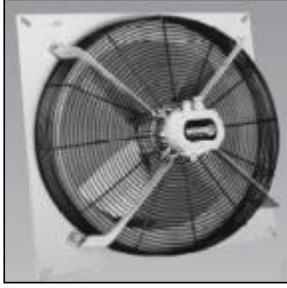


Speed (rpm)	Peak Pressure (Pa)	Peak Power (kw)	Running Frequency	Sound Power Level SWL dB re 1pw								Sound Pressure Level dB at 3 meters
				63	125	250	500	1k	2k	4k	8k	
870	167	0.49	50	80	82	82	80	78	77	74	68	63
750	124	0.31	43	77	79	79	77	75	74	71	65	60
644	91	0.20	37	73	75	75	73	71	70	67	61	56
512	58	0.10	29	68	70	70	68	66	65	62	56	51
435	42	0.06	25	65	67	67	65	63	62	59	53	48



# Plate Mounted Axial Fan

2101-7163



**Impeller**

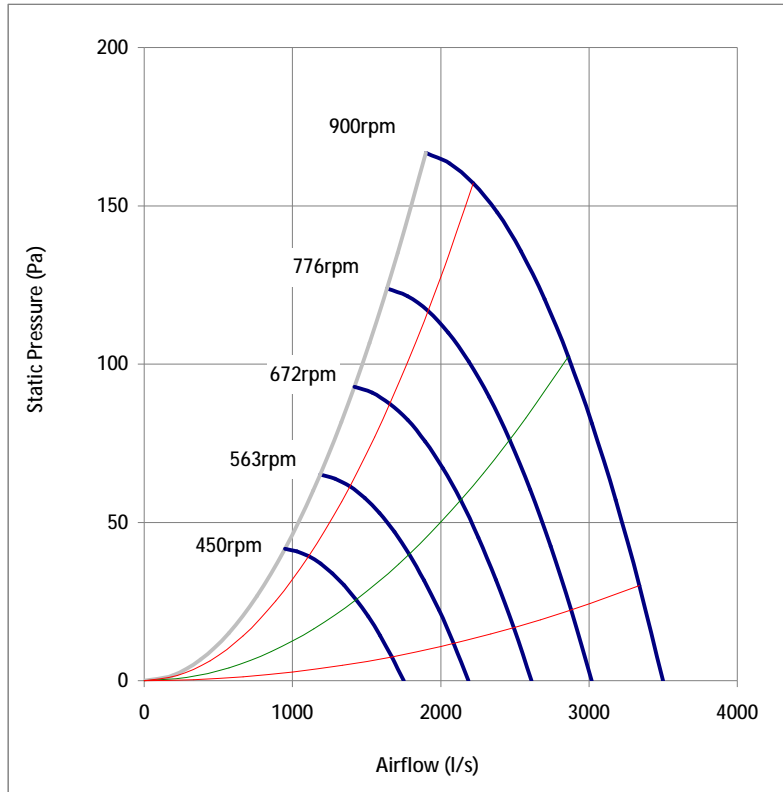
Size 710 mm  
 Type Axial Arefoil  
 Material Aluminium clad mild steel  
 Motor finish Powder Coating RAL7032

**Motor**

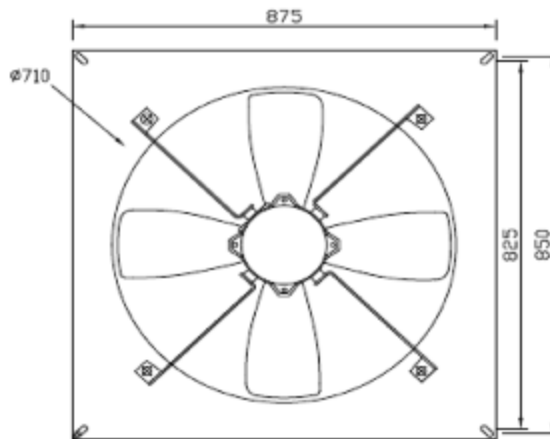
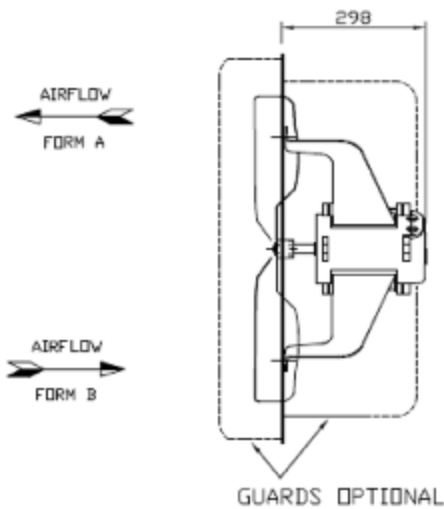
Type TEFC  
 IP Rating 55  
 Insulation Class 155  
 Power 0.55 Kw  
 Power Supply 400V/3PH/50Hz  
 Speed 900 RPM  
 FLC 1.80 A  
 Capacitor -  
 Control Variable Speed Drive  
 Protection Thermistor

**Fan**

Plate Galvanised metal  
 Weight 19Kg  
 Max. Temp 50 °C

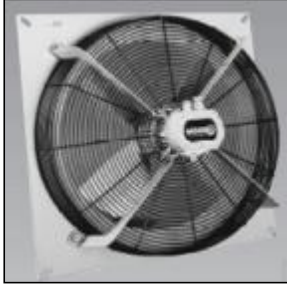


Speed (rpm)	Peak Pressure (Pa)	Peak Power (kw)	Running Frequency	Sound Power Level SWL dB re 1pw								Sound Pressure Level dB at 3 meters
				63	125	250	500	1k	2k	4k	8k	
900	167	0.55	50	80	82	82	80	78	77	74	68	63
776	124	0.35	43	77	79	79	77	75	74	71	65	60
672	93	0.23	37	74	76	76	74	72	71	68	62	57
563	65	0.13	31	70	72	72	70	68	67	64	58	53
450	42	0.07	25	65	67	67	65	63	62	59	53	48



# Plate Mounted Axial Fan

2101-8063



### Impeller

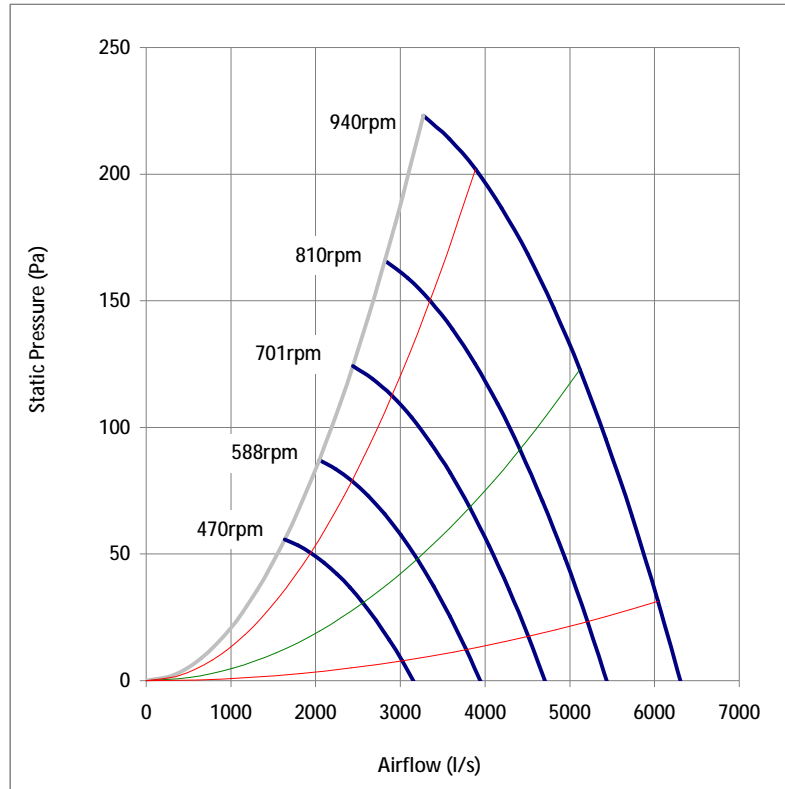
Size 800 mm  
 Type Axial Arefoil  
 Material Black Composite Material  
 Motor finish Powder Coating RAL7032

### Motor

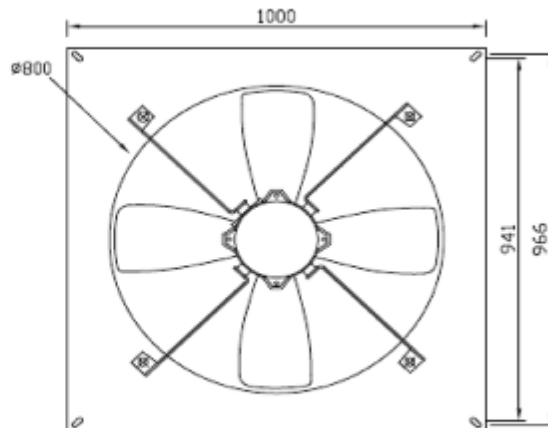
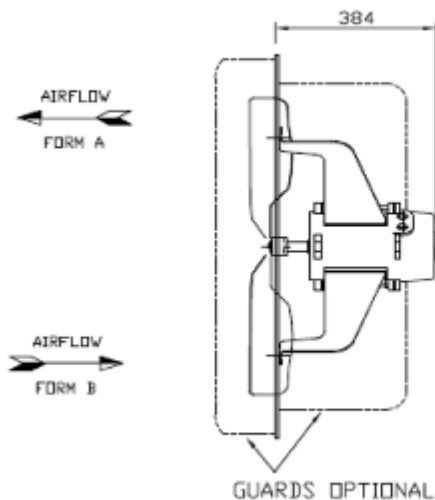
Type IE2 - TEFC  
 IP Rating 55  
 Insulation Class 155  
 Power 1.50 Kw  
 Power Supply 400V/3PH/50Hz  
 Speed 940 RPM  
 FLC 4.30 A  
 Capacitor -  
 Control Variable Speed Drive  
 Protection Thermistor

### Fan

Plate Galvanised metal  
 Weight 42Kg  
 Max. Temp 50 °C

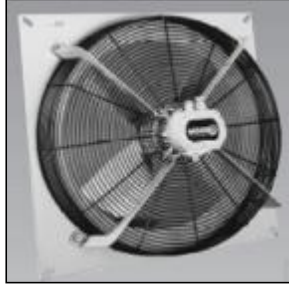


Speed (rpm)	Peak Pressure (Pa)	Peak Power (kw)	Running Frequency	Sound Power Level SWL dB re 1pw								Sound Pressure Level dB at 3 meters
				63	125	250	500	1k	2k	4k	8k	
940	223	1.50	50	76	78	80	78	74	71	67	62	58
810	166	0.96	43	73	75	77	75	71	68	64	59	55
701	124	0.62	37	70	72	74	72	68	65	61	56	52
588	87	0.37	31	66	68	70	68	64	61	57	52	48
470	56	0.19	25	61	63	65	63	59	56	52	47	43



# Plate Mounted Axial Fan

2101-8083



### Impeller

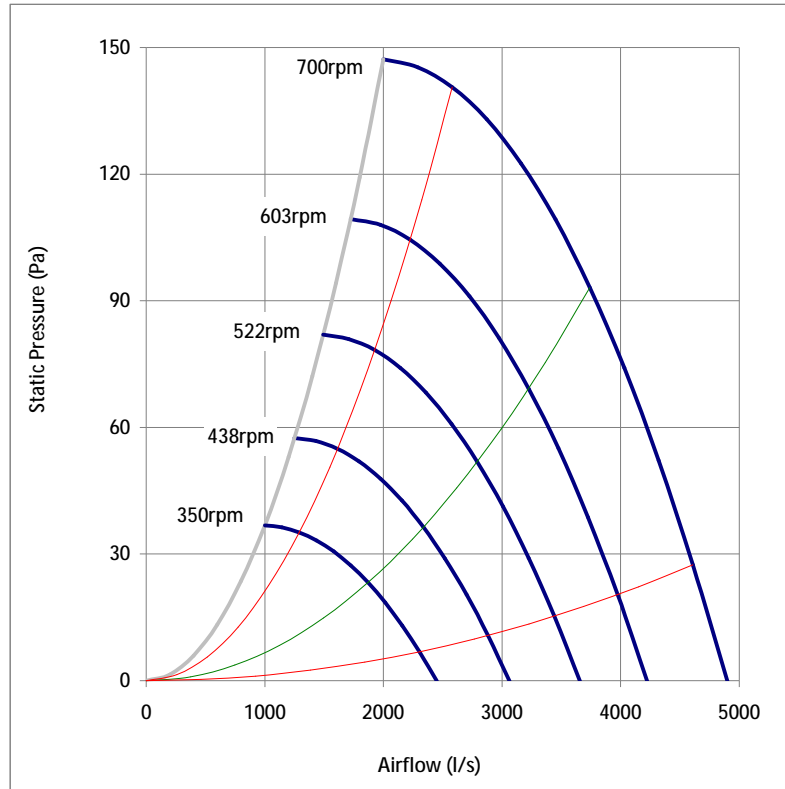
Size 800 mm  
 Type Axial Arefoil  
 Material Black Composite Material  
 Motor finish Powder Coating RAL7032

### Motor

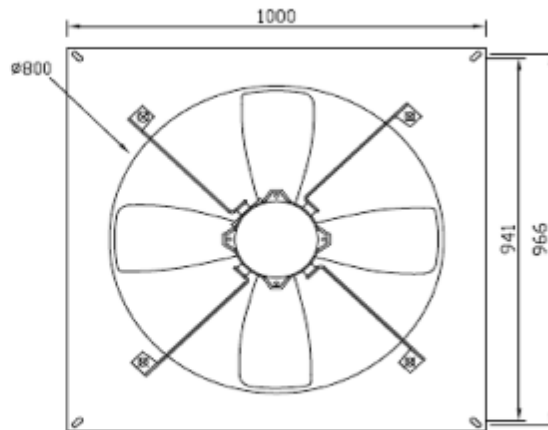
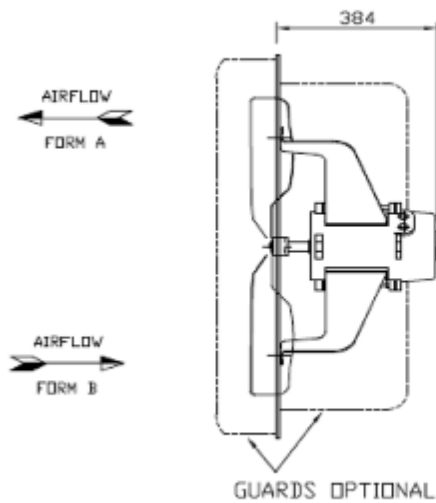
Type IE2 - TEFC  
 IP Rating 55  
 Insulation Class 155  
 Power 0.75 Kw  
 Power Supply 400V/3PH/50Hz  
 Speed 700 RPM  
 FLC 2.00 A  
 Capacitor -  
 Control Variable Speed Drive  
 Protection Thermistor

### Fan

Plate Galvanised metal  
 Weight 42Kg  
 Max. Temp 50 °C



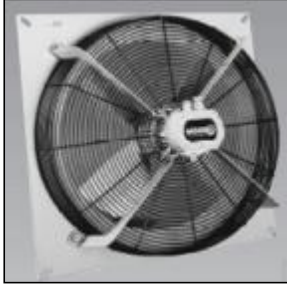
Speed (rpm)	Peak Pressure (Pa)	Peak Power (kw)	Running Frequency	Sound Power Level SWL dB re 1pw								Sound Pressure Level dB at 3 meters
				63	125	250	500	1k	2k	4k	8k	
700	147	0.75	50	70	72	74	72	68	65	61	56	52
603	109	0.48	43	67	69	71	69	65	62	58	53	49
522	82	0.31	37	64	66	68	66	62	59	55	50	46
438	57	0.18	31	60	62	64	62	58	55	51	46	42
350	37	0.09	25	55	57	59	57	53	50	46	41	37





# Plate Mounted Axial Fan

2101-10063



### Impeller

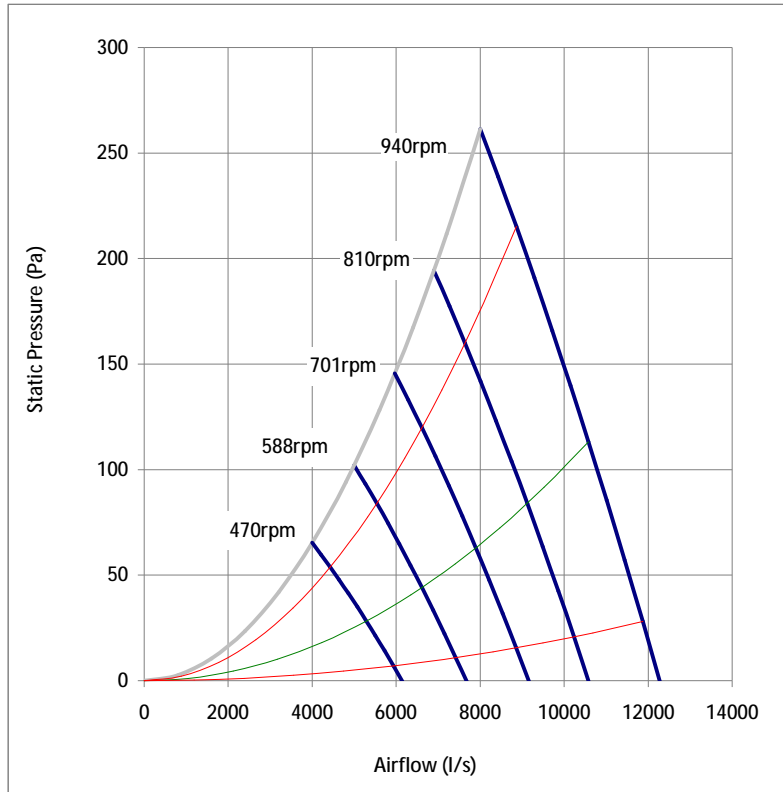
Size 1000 mm  
 Type Axial Arefoil  
 Material Black Composite Material  
 Motor finish Powder Coating RAL7032

### Motor

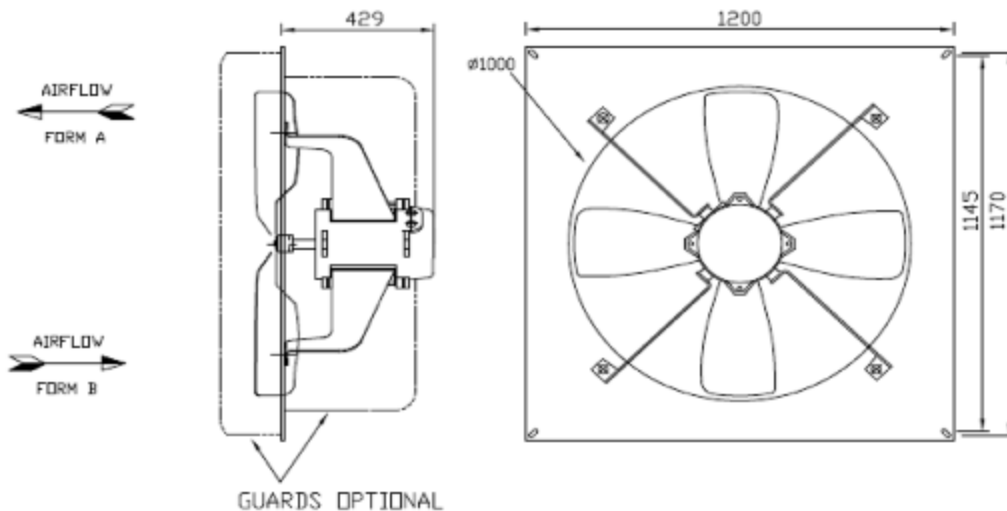
Type IE2 - TEFC  
 IP Rating 55  
 Insulation Class 155  
 Power 4.00 Kw  
 Power Supply 400V/3PH/50Hz  
 Speed 940 RPM  
 FLC 9.00 A  
 Capacitor -  
 Control Variable Speed Drive  
 Protection Thermistor

### Fan

Plate Galvanised metal  
 Weight 65Kg  
 Max. Temp 50 °C

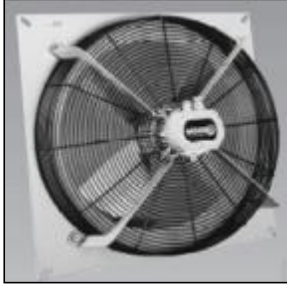


Speed (rpm)	Peak Pressure (Pa)	Peak Power (kw)	Running Frequency	Sound Power Level SWL (dB re 1pw)								Sound Pressure Level (dB at 3 meters)
				63	125	250	500	1k	2k	4k	8k	
940	261	4.00	50	88	88	86	85	85	82	78	74	68
810	194	2.56	43	85	85	83	82	82	79	75	71	65
701	146	1.66	37	82	82	80	79	79	76	72	68	62
588	102	0.98	31	78	78	76	75	75	72	68	64	58
470	65	0.50	25	73	73	71	70	70	67	63	59	53



# Plate Mounted Axial Fan

2101-10063



### Impeller

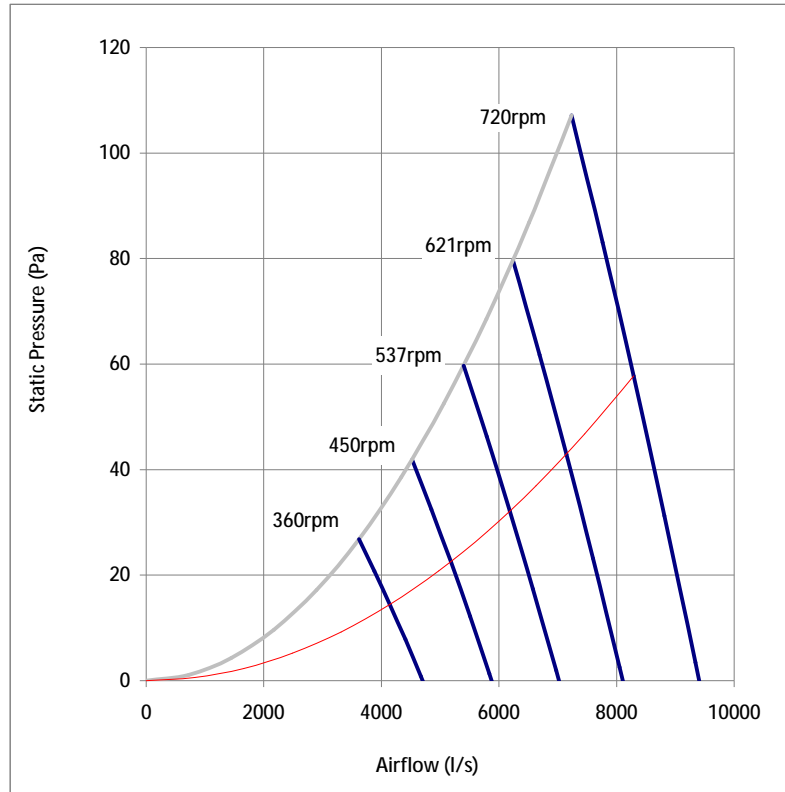
Size 1000 mm  
 Type Axial Arefoil  
 Material Black Composite Material  
 Motor finish Powder Coating RAL7032

### Motor

Type IE2 - TEFC  
 IP Rating 55  
 Insulation Class 155  
 Power 1.55 Kw  
 Power Supply 400V/3PH/50Hz  
 Speed 720 RPM  
 FLC 4.00 A  
 Capacitor -  
 Control Variable Speed Drive  
 Protection Thermistor

### Fan

Plate Galvanised metal  
 Weight 65Kg  
 Max. Temp 50 °C



Speed (rpm)	Peak Pressure (Pa)	Peak Power (kw)	Running Frequency	Sound Power Level SWL (dB re 1pw)								Sound Pressure Level (dB at 3 meters)
				63	125	250	500	1k	2k	4k	8k	
720	107	1.55	50	82	82	80	79	79	76	72	68	62
621	80	0.99	43	79	79	77	76	76	73	69	65	59
537	60	0.64	37	76	76	74	73	73	70	66	62	56
450	42	0.38	31	72	72	70	69	69	66	62	58	52
360	27	0.19	25	67	67	65	64	64	61	57	53	47

