

ACCENT 4

- LOW NOISE Inline Centrifugal Fan
- With External Rotor

SPECIFICATION

Sizes

280, 310, 315, 350, 400, 450, 500, 560, 630mm diameter

Fan Performance

The fan is of low noise and high static efficiency design. The impeller is designed to give excellent performance characteristic with high static pressure development with out stall

Impellers

Ziehl-Abegg Vpro low noise high efficiency centrifugal fan with profiled blades. The impellers are manufactured from black composite material and balanced according to ISO1940.

Motors

Ziehl-Abegg asynchronous external rotor motors. Motor enclosure to feature IP54 protection . Motor winding insulation are to incorporate thermal class 155 as standard. Motor bearings are to be of maintenance free ball bearing design. Auto-reset thermal contacts are provided as standard.

Casing

Casing of the fans are of galvanised steel, with MEZZ flanges connection to suit either flexible duct or galvanised steel ductwork.

Test Procedures

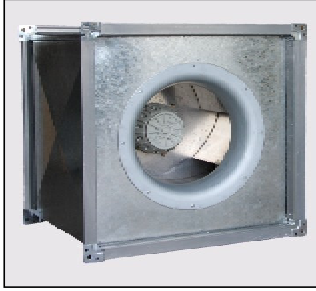
Performance Date – Established from tests in accordance with ISO5801:1997
Sound levels – Established from tests in accordance with ISO3745



Ziehl-Abegg Vpro external rotor

Inline Backward Curve Centrifugal Fan

AX4-2521



Impeller

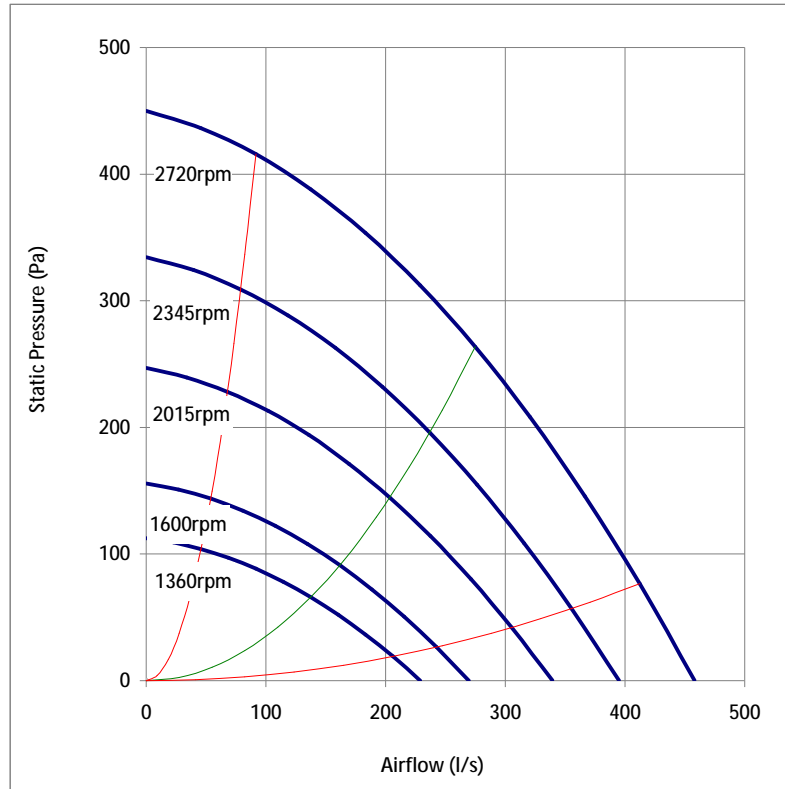
Size 250 mm
 Type Backward Arefoil Curve
 Material Garvanised Metal
 Motor finish Powder Coating RAL7032

Motor

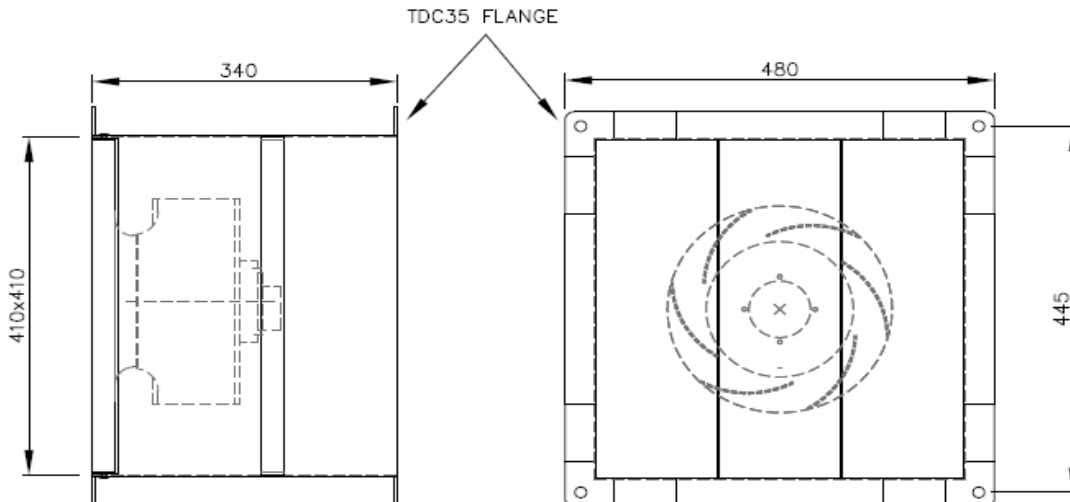
Type External Rotor
 IP Rating 54
 Insulation Class 155
 Power 0.24 Kw
 Power Supply 230V/1PH/50Hz
 Speed 2720 RPM
 FLC 1.05 A
 Capacitor 8 µF
 Control RE1.5, 5 Step Controller
 Protection Thermal Contacts

Fan

Case Galvanise Steel
 Flange TDC35
 Weight 25 Kg
 Max. Temp 50 °C

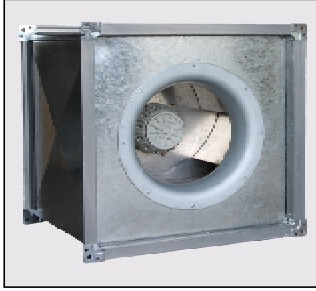


Speed (rpm)	Peak Pressure (Pa)	Peak Power (kw)	Motor Running Voltage (V)	Sound Power Level SWL dB re 1pw								Sound Pressure Level dBA at 3 meters
				63	125	250	500	1k	2k	4k	8k	
2720	450	0.24	230	68	72	69	68	66	64	63	56	53
2345	334	0.15	200	65	69	66	65	63	61	60	53	50
2015	247	0.10	170	61	65	62	61	59	57	56	49	46
1600	156	0.05	130	56	60	57	56	54	52	51	44	41
1360	113	0.03	110	53	57	54	53	51	49	48	41	38



Inline Backward Curve Centrifugal Fan

AX4-2841



Impeller

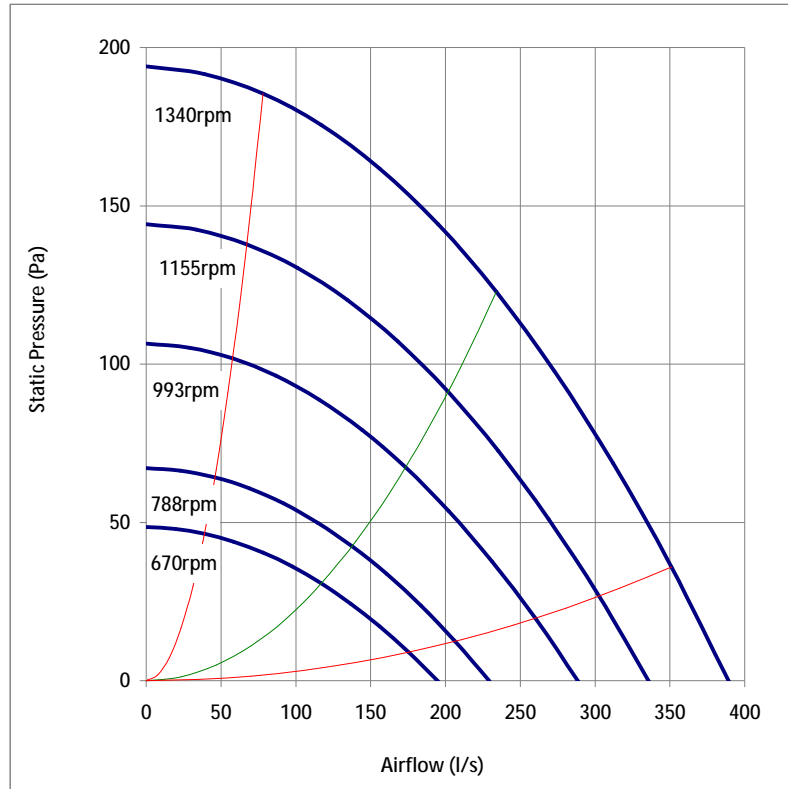
Size 280 mm
 Type Backward Arefoil Curve
 Material Black Composite Material
 Motor finish Powder Coating RAL7032

Motor

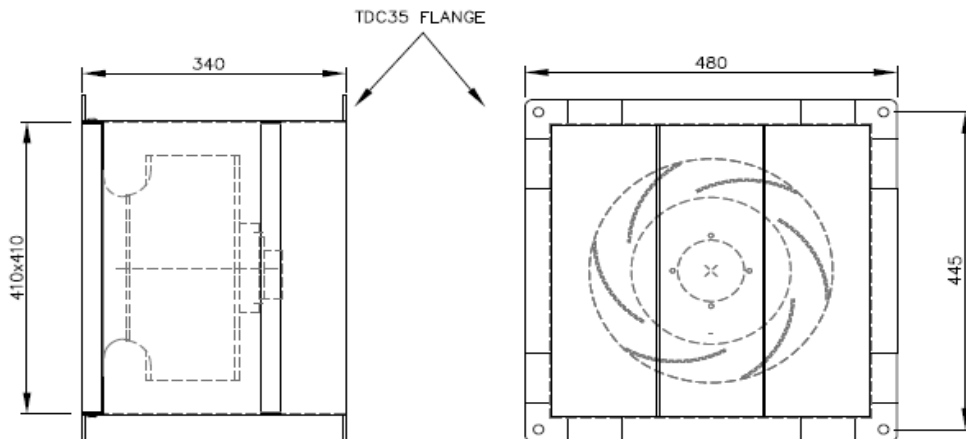
Type External Rotor
 IP Rating 54
 Insulation Class 155
 Power 0.13 Kw
 Power Supply 230V/1PH/50Hz
 Speed 1350 RPM
 FLC 0.58 A
 Capacitor 5 µF
 Control RE1.5, 5 Step Controller
 Protection Thermal Contacts

Fan

Case Galvanise Steel
 Flange TDC35
 Weight 25 Kg
 Max. Temp 50 °C

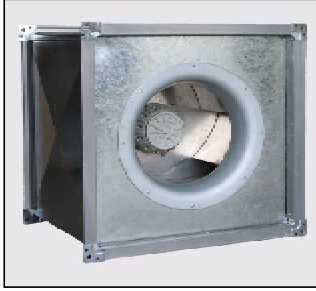


Speed (rpm)	Peak Pressure (Pa)	Peak Power (kw)	Motor Running Voltage (V)	Sound Power Level SWL dB re 1pw								Sound Pressure Level dBA at 3 meters
				63	125	250	500	1k	2k	4k	8k	
1340	194	0.13	230	60	63	61	65	60	56	50	62	38
1155	144	0.08	200	57	60	58	62	57	53	47	59	35
993	106	0.05	170	53	56	54	58	53	49	43	55	31
788	67	0.03	130	48	51	49	53	48	44	38	50	26
670	49	0.02	110	45	48	46	50	45	41	35	47	23



Inline Backward Curve Centrifugal Fan

AX4-3141



Impeller

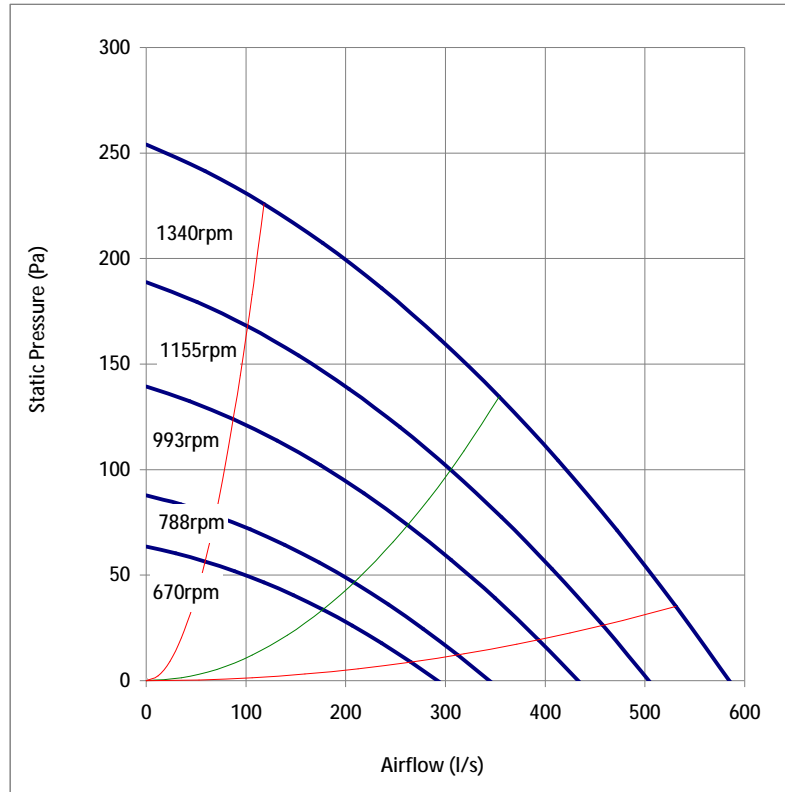
Size 310 mm
 Type Backward Arefoil Curve
 Material Black Composite Material
 Motor finish Powder Coating RAL7032

Motor

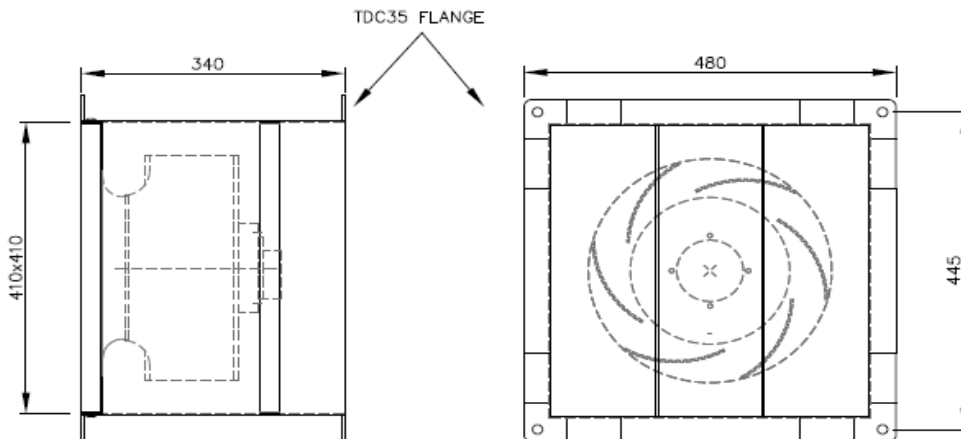
Type External Rotor
 IP Rating 54
 Insulation Class 155
 Power 0.18 Kw
 Power Supply 230V/1PH/50Hz
 Speed 1420 RPM
 FLC 0.8 A
 Capacitor 5 µF
 Control RE1.5, 5 Step Controller
 Protection Thermal Contacts

Fan

Case Galvanise Steel
 Flange TDC35
 Weight 25 Kg
 Max. Temp 50 °C

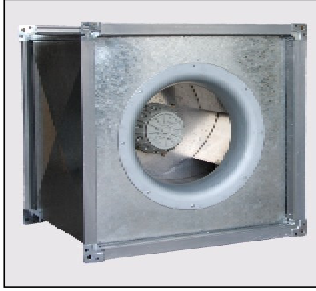


Speed (rpm)	Peak Pressure (Pa)	Peak Power (kw)	Motor Running Voltage (V)	Sound Power Level SWL dB re 1pw								Sound Pressure Level dBA at 3 meters
				63	125	250	500	1k	2k	4k	8k	
1340	254	0.18	230	62	64	61	67	62	57	52	51	38
1155	189	0.12	200	59	61	58	64	59	54	49	48	35
993	139	0.07	170	55	57	54	60	55	50	45	44	31
788	88	0.04	130	50	52	49	55	50	45	40	39	26
670	64	0.02	110	47	49	46	52	47	42	37	36	23



Inline Backward Curve Centrifugal Fan

AX4-3143



Impeller

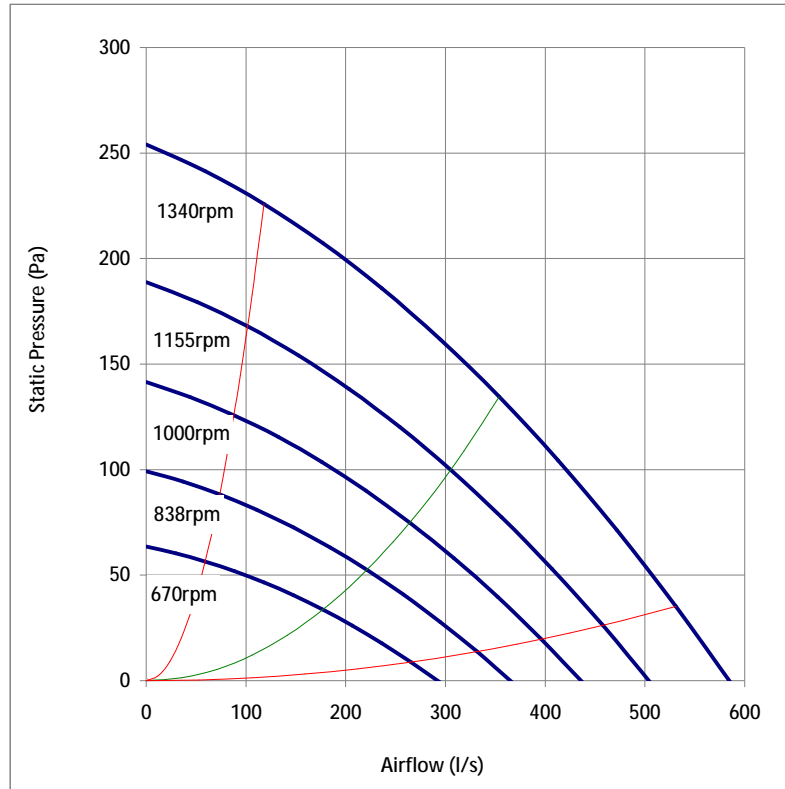
Size 310 mm
 Type Backward Arefoil Curve
 Material Black Composite Material
 Motor finish Powder Coating RAL7032

Motor

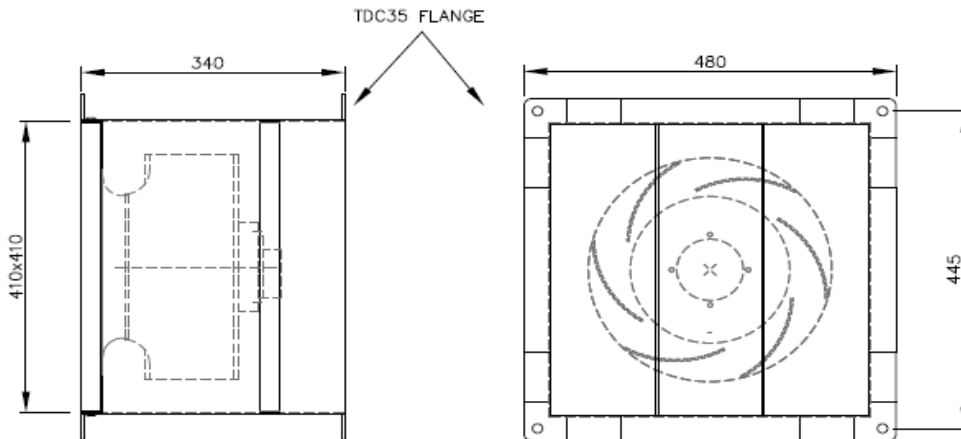
Type External Rotor
 IP Rating 54
 Insulation Class 155
 Power 0.14 Kw
 Power Supply 400V/3PH/50Hz
 Speed 1340 RPM
 FLC 0.29 A
 Capacitor -
 Control Variable Frequency Drive
 Protection Thermal Contacts

Fan

Case Galvanise Steel
 Flange TDC35
 Weight 25 Kg
 Max. Temp 50 °C

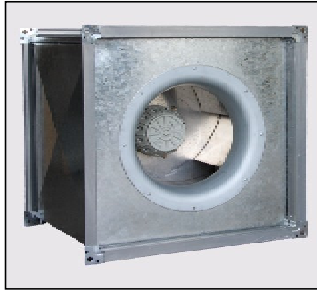


Speed (rpm)	Peak Pressure (Pa)	Peak Power (kw)	Running Frequency	Sound Power Level SWL dB re 1pw								Sound Pressure Level dBA at 3 meters
				63	125	250	500	1k	2k	4k	8k	
1340	254	0.14	50	62	64	61	67	62	57	52	51	38
1155	189	0.09	43	59	61	58	64	59	54	49	48	35
1000	141	0.06	37	56	58	55	61	56	51	46	45	32
838	99	0.03	31	52	54	51	57	52	47	42	41	28
670	64	0.02	25	47	49	46	52	47	42	37	36	23



Inline Backward Curve Centrifugal Fan

AX4-3541



Impeller

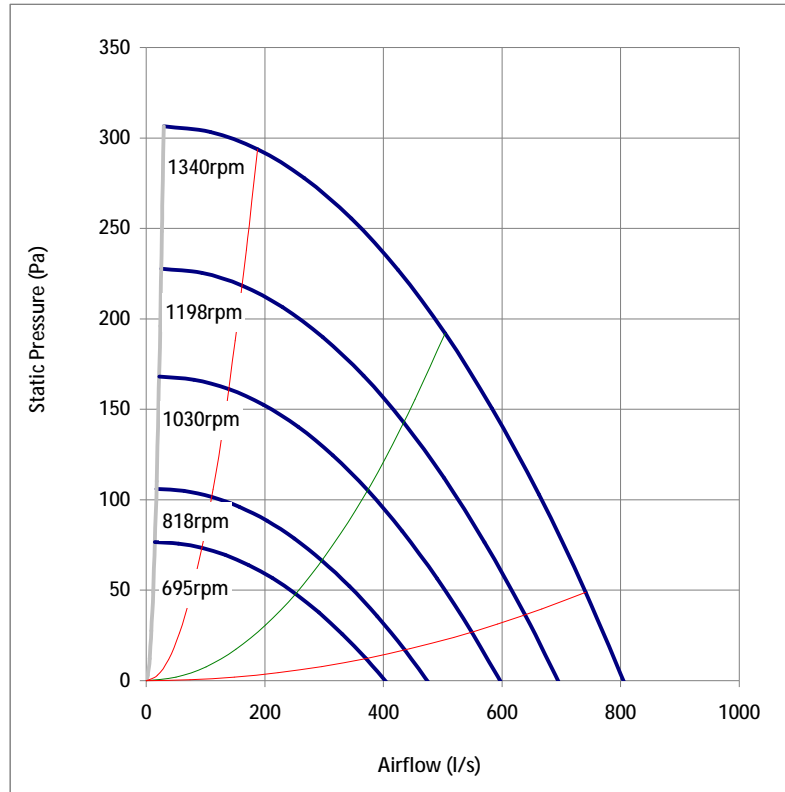
Size 350 mm
 Type Backward Arefoil Curve
 Material Black Composite Material
 Motor finish Powder Coating RAL7032

Motor

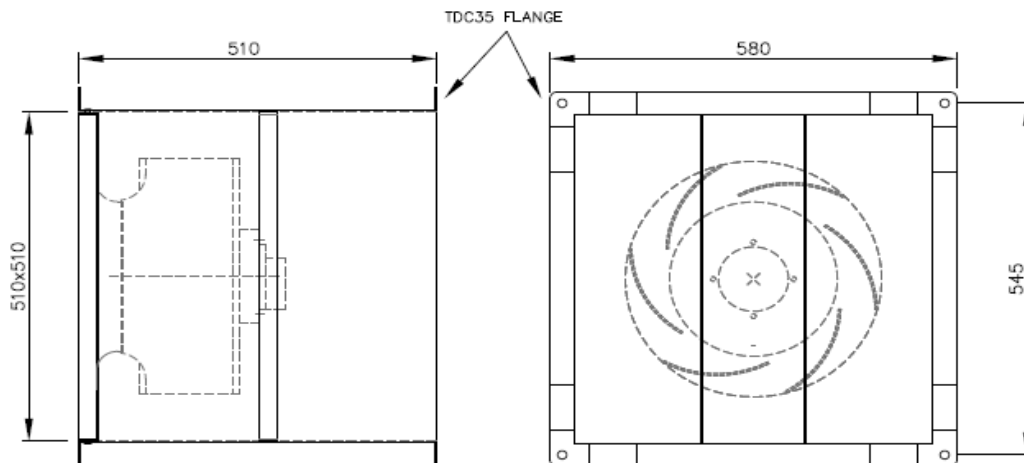
Type External Rotor
 IP Rating 54
 Insulation Class 155
 Power 0.27 Kw
 Power Supply 230V/1PH/50Hz
 Speed 1390 RPM
 FLC 1.3 A
 Capacitor 6 µF
 Control RE1.5, 5 Step Controller
 Protection Thermal Contacts

Fan

Case Galvanise Steel
 Flange TDC35
 Weight 35 Kg
 Max. Temp 50 °C

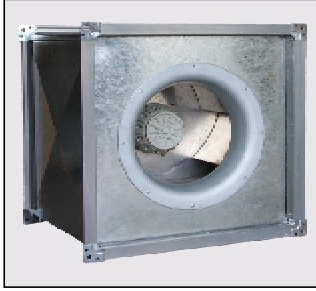


Speed (rpm)	Peak Pressure (Pa)	Peak Power (kw)	Motor Running Voltage (V)	Sound Power Level SWL dB re 1pw								Sound Pressure Level dBA at 3 meters
				63	125	250	500	1k	2k	4k	8k	
1390	306	0.27	230	66	70	62	59	56	51	53	51	42
1198	228	0.17	200	63	67	59	56	53	48	50	48	39
1030	168	0.11	170	59	63	55	52	49	44	46	44	35
818	106	0.05	130	54	58	50	47	44	39	41	39	30
695	77	0.03	110	51	55	47	44	41	36	38	36	27



Inline Backward Curve Centrifugal Fan

AX4-3543



Impeller

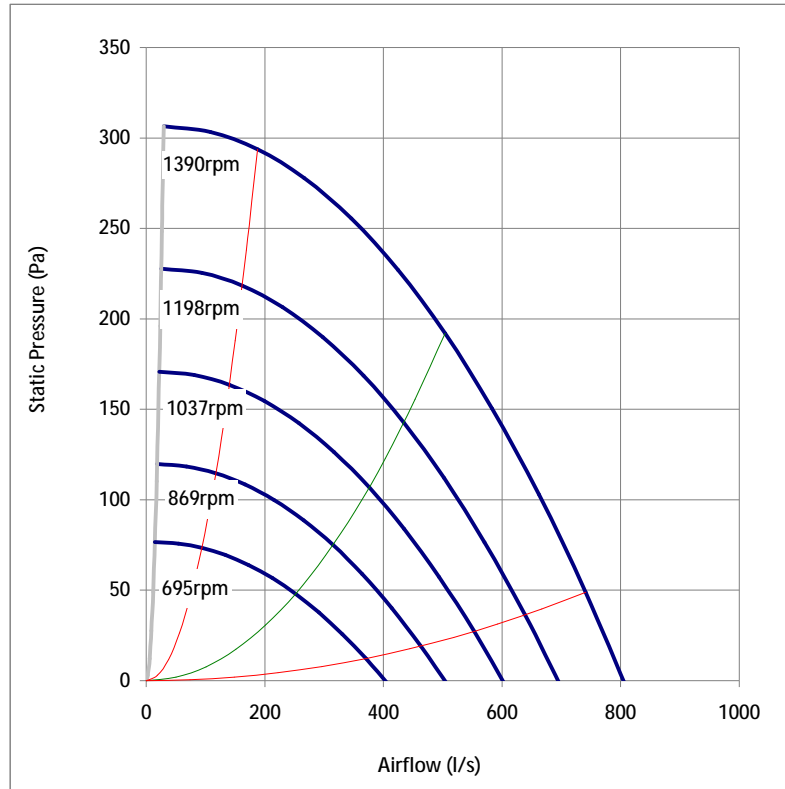
Size 350 mm
 Type Backward Arefoil Curve
 Material Black Composite Material
 Motor finish Powder Coating RAL7032

Motor

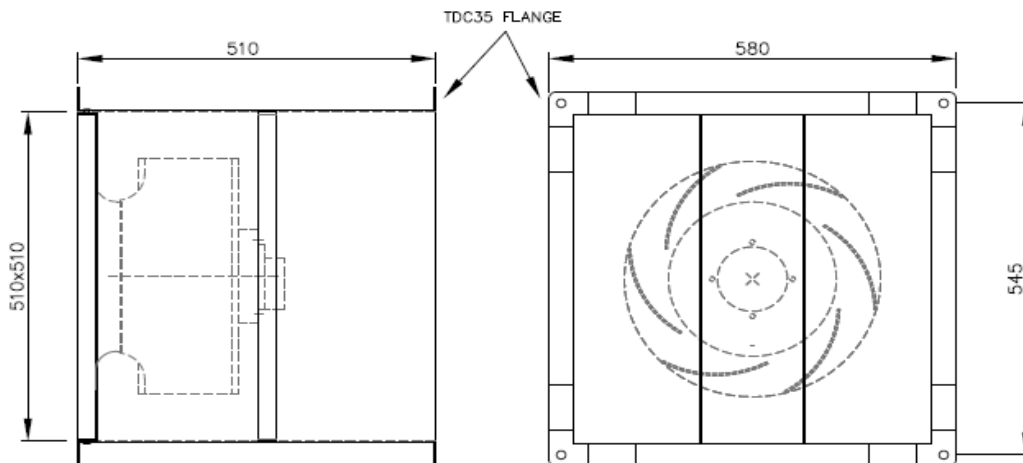
Type External Rotor
 IP Rating 54
 Insulation Class 155
 Power 0.24 Kw
 Power Supply 400V/3PH/50Hz
 Speed 1390 RPM
 FLC 0.47 A
 Capacitor -
 Control Variable Frequency Drive
 Protection Thermal Contacts

Fan

Case Galvanise Steel
 Flange TDC35
 Weight 35 Kg
 Max. Temp 50 °C

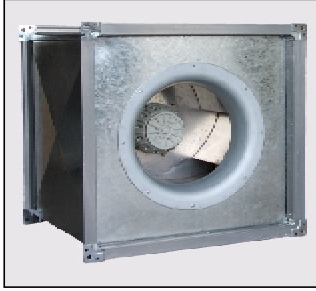


Speed (rpm)	Peak Pressure (Pa)	Peak Power (kw)	Running Frequency	Sound Power Level SWL (dB re 1pw)								Sound Pressure Level dBA at 3 meters
				63	125	250	500	1k	2k	4k	8k	
1390	306	0.24	50	66	70	62	59	56	51	53	51	41
1198	228	0.15	43	63	67	59	56	53	48	50	48	38
1037	171	0.10	37	60	64	56	53	50	45	47	45	35
869	120	0.06	31	56	60	52	49	46	41	43	41	31
695	77	0.03	25	51	55	47	44	41	36	38	36	26



Inline Backward Curve Centrifugal Fan

AX4-3561



Impeller

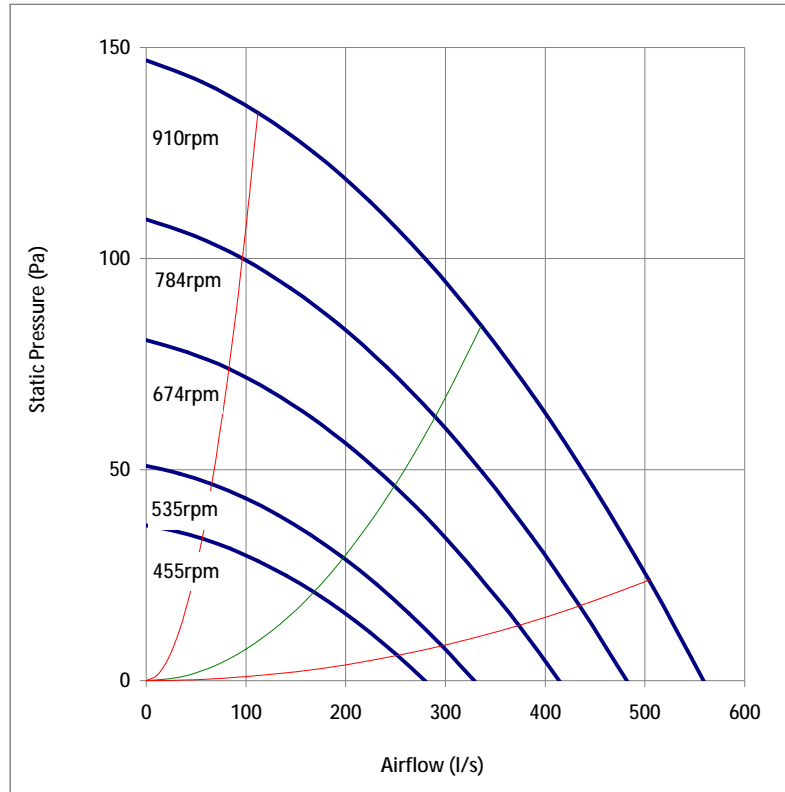
Size 350 mm
 Type Backward Arefoil Curve
 Material Black Composite Material
 Motor finish Powder Coating RAL7032

Motor

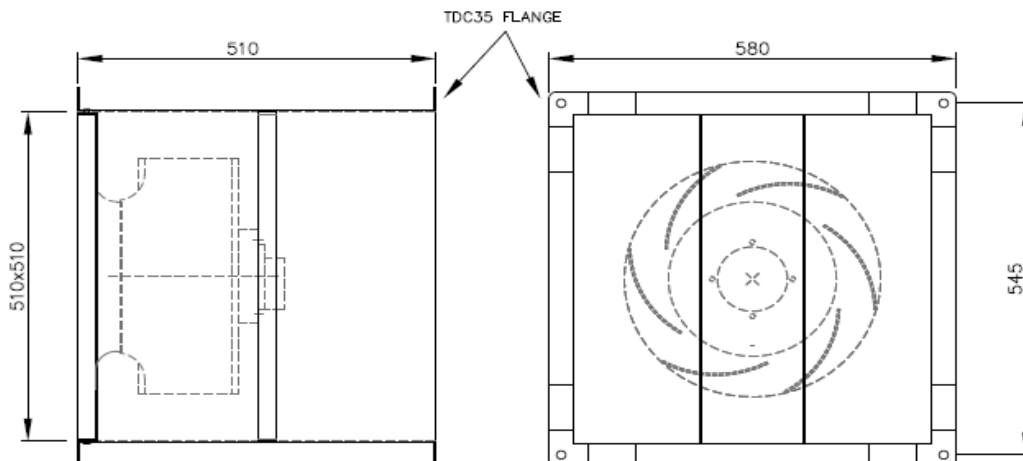
Type External Rotor
 IP Rating 54
 Insulation Class 155
 Power 0.11 Kw
 Power Supply 230V/1PH/50Hz
 Speed 910 RPM
 FLC 0.49 A
 Capacitor 4 µF
 Control RE1.5, 5 Step Controller
 Protection Thermal Contacts

Fan

Case Galvanise Steel
 Flange TDC35
 Weight 35 Kg
 Max. Temp 50 °C

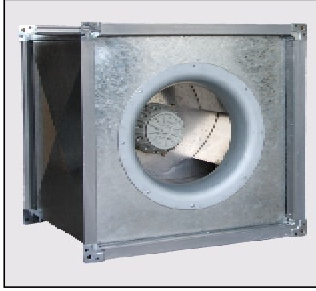


Speed (rpm)	Peak Pressure (Pa)	Peak Power (kw)	Motor Running Voltage (V)	Sound Power Level SWL (dB re 1pw)								Sound Pressure Level dBA at 3 meters
				63	125	250	500	1k	2k	4k	8k	
910	147	0.11	230	62	66	58	55	52	47	49	47	37
784	109	0.07	200	59	63	55	52	49	44	46	44	34
674	81	0.04	170	55	59	51	48	45	40	42	40	30
535	51	0.02	130	50	54	46	43	40	35	37	35	25
455	37	0.01	110	47	51	43	40	37	32	34	32	22



Inline Backward Curve Centrifugal Fan

AX4-4041



Impeller

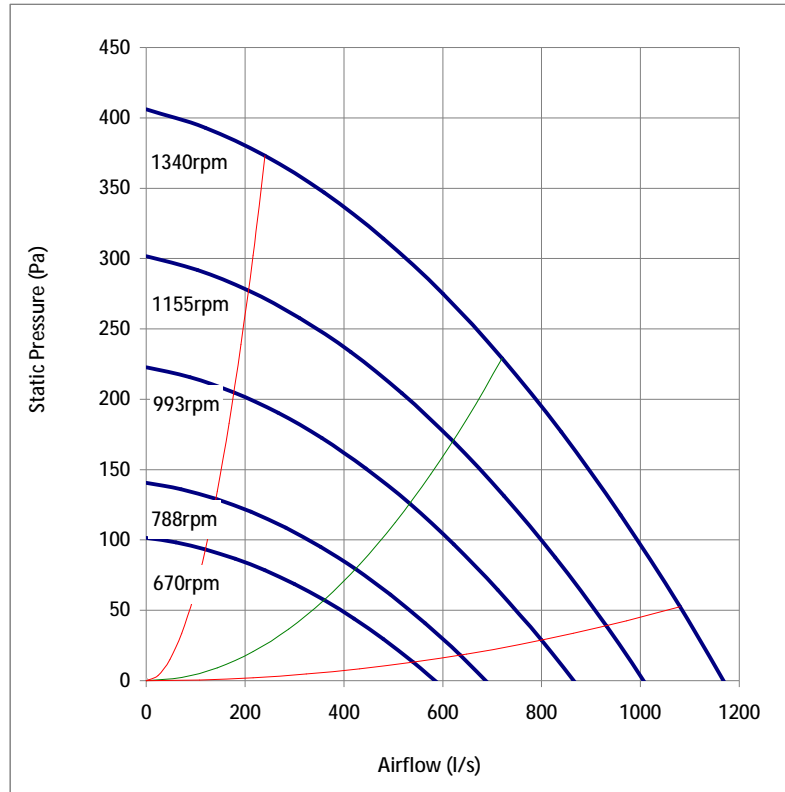
Size 400 mm
 Type Backward Arefoil Curve
 Material Black Composite Material
 Motor finish Powder Coating RAL7032

Motor

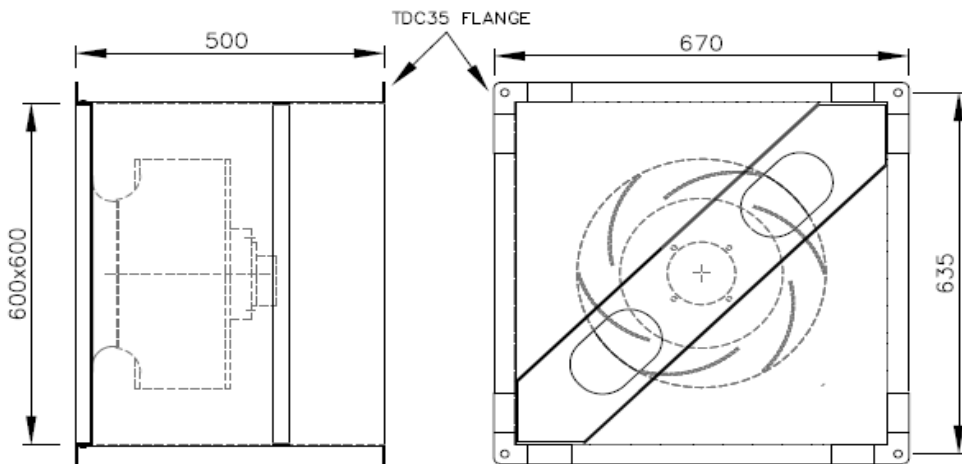
Type External Rotor
 IP Rating 54
 Insulation Class 155
 Power 0.49 Kw
 Power Supply 230V/1PH/50Hz
 Speed 1340 RPM
 FLC 2.5 A
 Capacitor 12 µF
 Control RE3.5, 5 Step Controller
 Protection Thermal Contacts

Fan

Case Galvanise Steel
 Flange TDC35
 Weight 45 Kg
 Max. Temp 50 °C

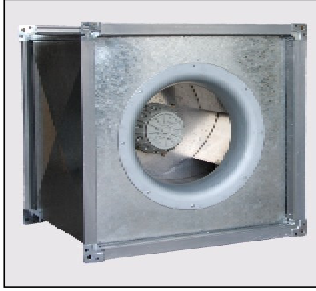


Speed (rpm)	Peak Pressure (Pa)	Peak Power (kw)	Motor Running Voltage (V)	Sound Power Level SWL dB re 1pw								Sound Pressure Level dBA at 3 meters
				63	125	250	500	1k	2k	4k	8k	
1340	406	0.49	230	63	68	63	62	55	52	48	53	42
1155	302	0.31	200	60	65	60	59	52	49	45	50	39
993	223	0.20	170	56	61	56	55	48	45	41	46	35
788	140	0.10	130	51	56	51	50	43	40	36	41	30
670	102	0.06	110	48	53	48	47	40	37	33	38	27



Inline Backward Curve Centrifugal Fan

AX4-4043



Impeller

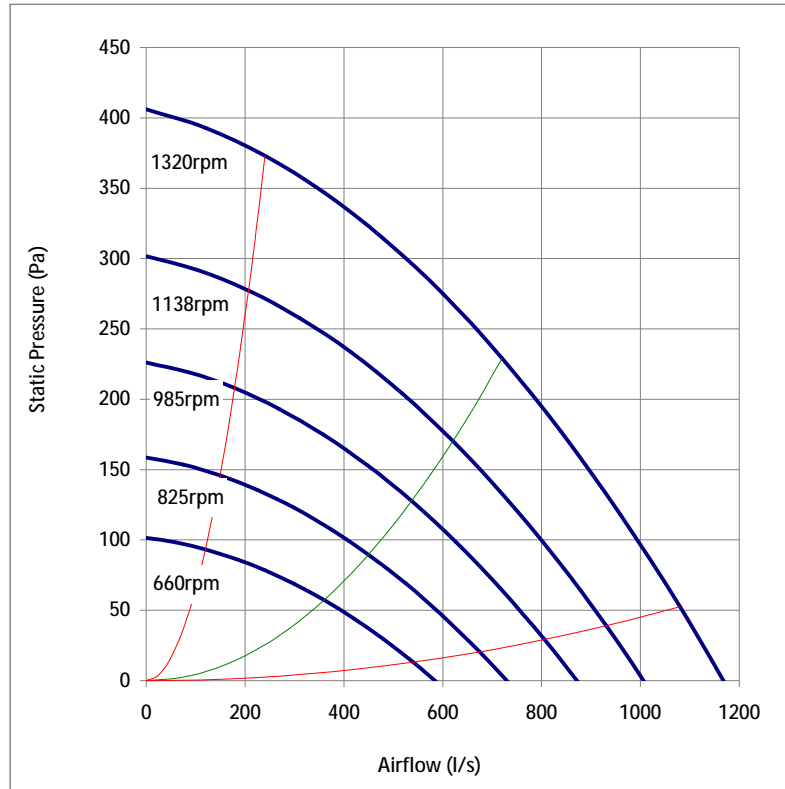
Size 400 mm
 Type Backward Arefoil Curve
 Material Black Composite Material
 Motor finish Powder Coating RAL7032

Motor

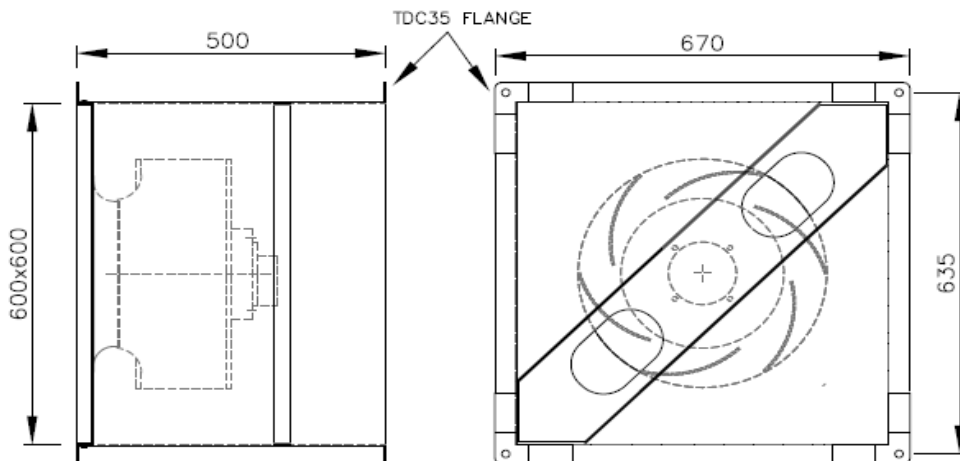
Type External Rotor
 IP Rating 54
 Insulation Class 155
 Power 0.44 Kw
 Power Supply 400V/3PH/50Hz
 Speed 1320 RPM
 FLC 0.77 A
 Capacitor -
 Control Variable Frequency Drive
 Protection Thermal Contacts

Fan

Case Galvanise Steel
 Flange TDC35
 Weight 45 Kg
 Max. Temp 50 °C

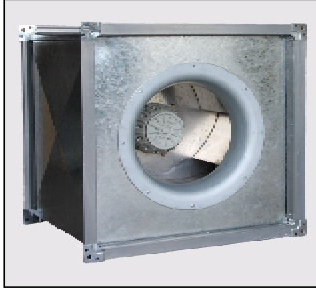


Speed (rpm)	Peak Pressure (Pa)	Peak Power (kw)	Running Frequency	Sound Power Level SWL dB re 1pw								Sound Pressure Level dBA at 3 meters
				63	125	250	500	1k	2k	4k	8k	
1320	406	0.44	50	63	68	63	62	55	52	48	53	42
1138	302	0.28	43	60	65	60	59	52	49	45	50	39
985	226	0.18	37	57	62	57	56	49	46	42	47	36
825	159	0.11	31	53	58	53	52	45	42	38	43	32
660	102	0.06	25	48	53	48	47	40	37	33	38	27



Inline Backward Curve Centrifugal Fan

AX4-4061



Impeller

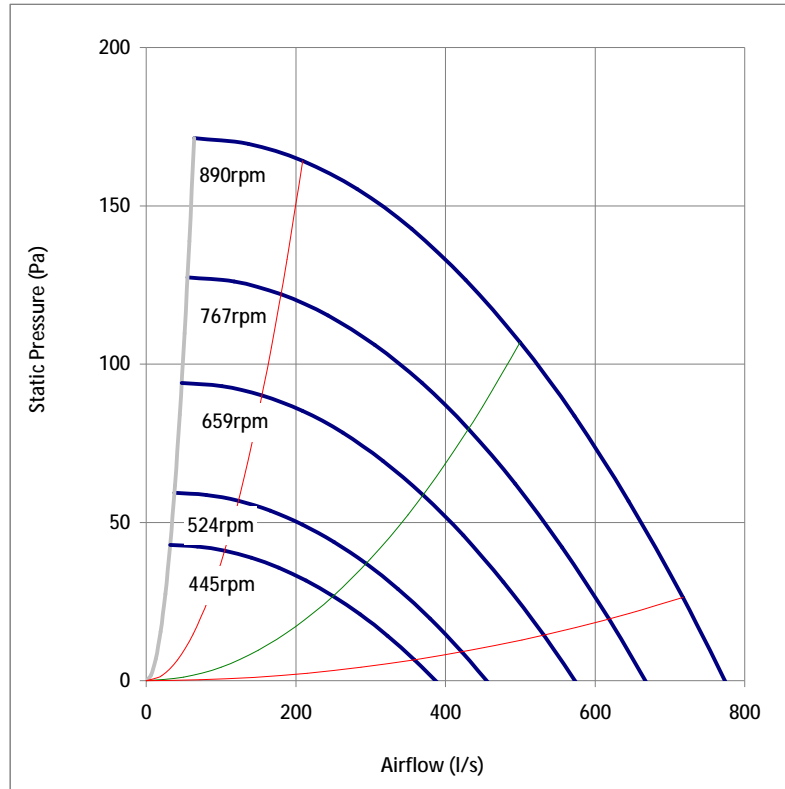
Size 400 mm
 Type Backward Arefoil Curve
 Material Black Composite Material
 Motor finish Powder Coating RAL7032

Motor

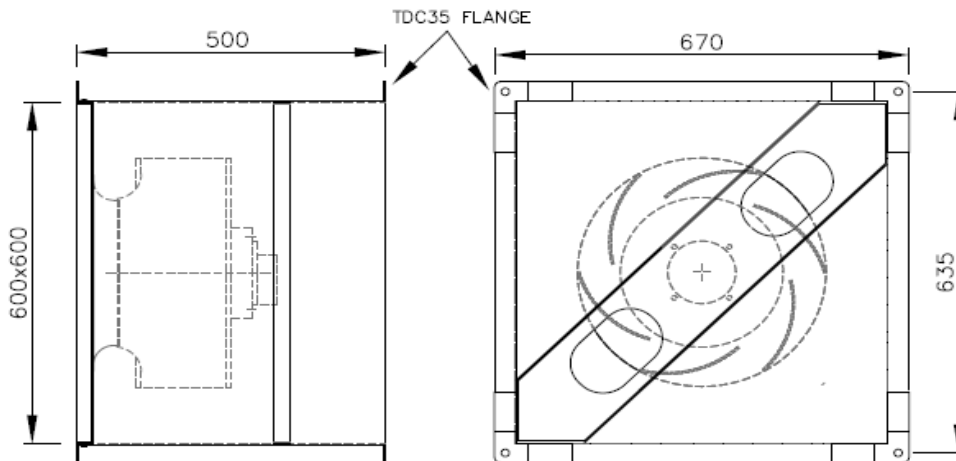
Type External Rotor
 IP Rating 54
 Insulation Class 155
 Power 0.17 Kw
 Power Supply 230V/1PH/50Hz
 Speed 890 RPM
 FLC 0.76 A
 Capacitor 6 µF
 Control RE1.5, 5 Step Controller
 Protection Thermal Contacts

Fan

Case Galvanise Steel
 Flange TDC35
 Weight 45 Kg
 Max. Temp 50 °C

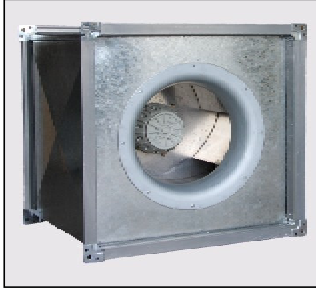


Speed (rpm)	Peak Pressure (Pa)	Peak Power (kw)	Motor Running Voltage (V)	Sound Power Level SWL dB re 1pw								Sound Pressure Level dBA at 3 meters
				63	125	250	500	1k	2k	4k	8k	
890	171	0.17	230	58	63	58	57	50	47	43	48	37
767	127	0.11	200	55	60	55	54	47	44	40	45	34
659	94	0.07	170	51	56	51	50	43	40	36	41	30
524	59	0.03	130	46	51	46	45	38	35	31	36	25
445	43	0.02	110	43	48	43	42	35	32	28	33	22



Inline Backward Curve Centrifugal Fan

AX4-4541



Impeller

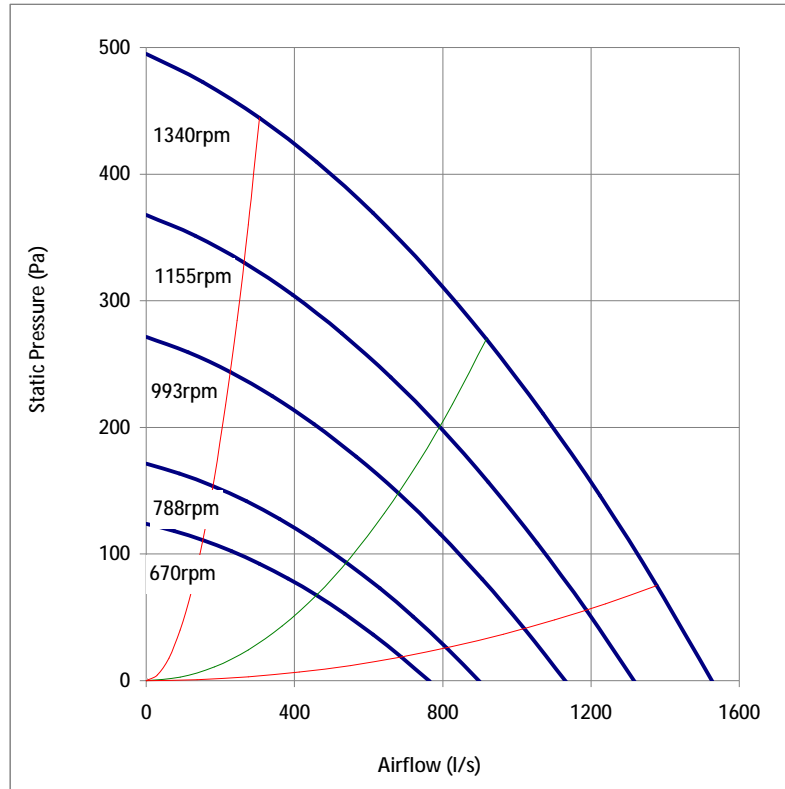
Size 450 mm
 Type Backward Arefoil Curve
 Material Black Composite Material
 Motor finish Powder Coating RAL7032

Motor

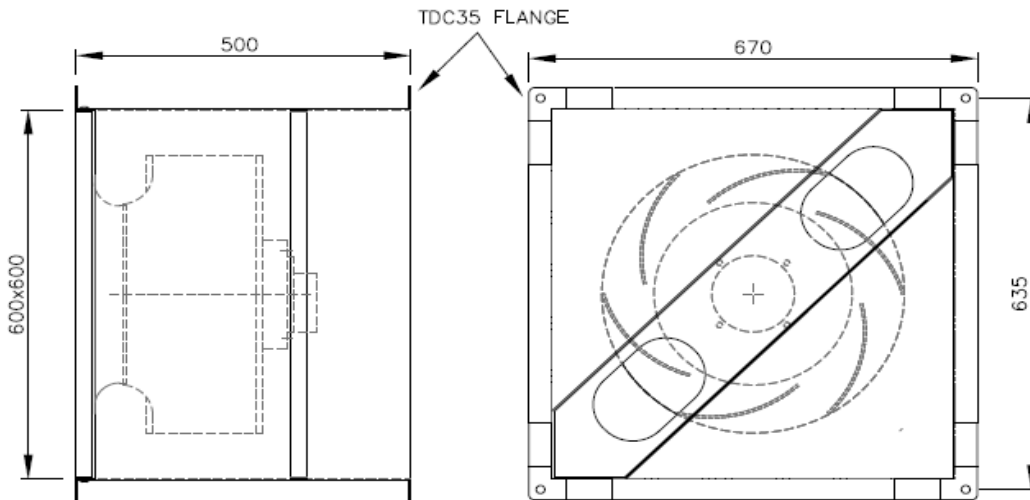
Type External Rotor
 IP Rating 54
 Insulation Class 155
 Power 0.77 Kw
 Power Supply 230V/1PH/50Hz
 Speed 1340 RPM
 FLC 3.60 A
 Capacitor 20 µF
 Control RE7.5, 5 Step Controller
 Protection Thermal Contacts

Fan

Case Galvanise Steel
 Flange TDC35
 Weight 57 Kg
 Max. Temp 50 °C



Speed (rpm)	Peak Pressure (Pa)	Peak Power (kw)	Motor Running Voltage (V)	Sound Power Level SWL dB re 1pw								Sound Pressure Level dBA at 3 meters
				63	125	250	500	1k	2k	4k	8k	
1340	495	0.77	230	68	71	71	64	57	53	49	51	48
1155	368	0.49	200	65	68	68	61	54	50	46	48	45
993	272	0.31	170	61	64	64	57	50	46	42	44	41
788	171	0.16	130	56	59	59	52	45	41	37	39	36
670	124	0.10	110	53	56	56	49	42	38	34	36	33



Inline Backward Curve Centrifugal Fan

AX4-4543



Impeller

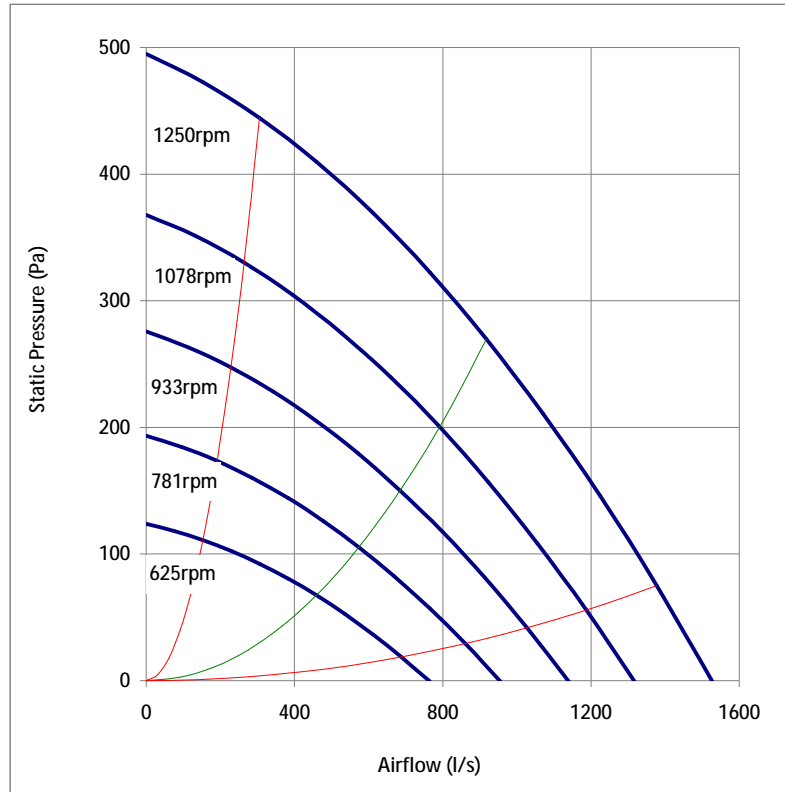
Size 450 mm
 Type Backward Arefoil Curve
 Material Black Composite Material
 Motor finish Powder Coating RAL7032

Motor

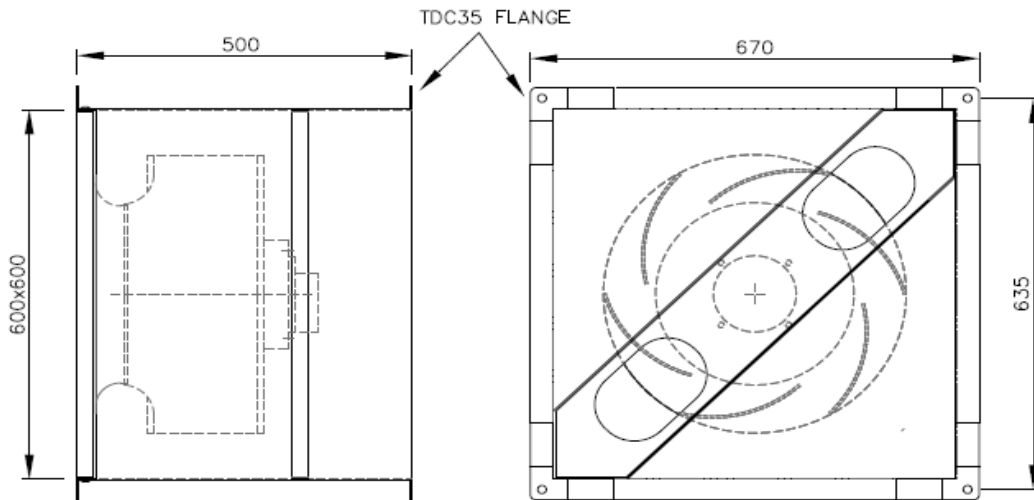
Type External Rotor
 IP Rating 54
 Insulation Class 155
 Power 0.65 Kw
 Power Supply 400V/3PH/50Hz
 Speed 1250 RPM
 FLC 1.30 A
 Capacitor -
 Control Variable Speed Drive
 Protection Thermal Contacts

Fan

Case Galvanise Steel
 Flange TDC35
 Weight 57 Kg
 Max. Temp 50 °C

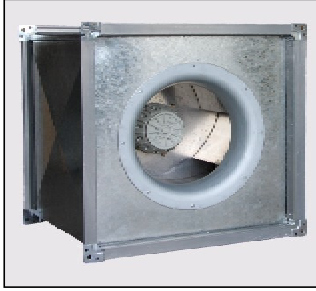


Speed (rpm)	Peak Pressure (Pa)	Peak Power (kw)	Running Frequency	Sound Power Level SWL dB re 1pw								Sound Pressure Level dBA at 3 meters
				63	125	250	500	1k	2k	4k	8k	
1250	495	0.65	50	68	71	71	64	57	53	49	51	48
1078	368	0.42	43	65	68	68	61	54	50	46	48	45
933	276	0.27	37	62	65	65	58	51	47	43	45	42
781	193	0.16	31	58	61	61	54	47	43	39	41	38
625	124	0.08	25	53	56	56	49	42	38	34	36	33



Inline Backward Curve Centrifugal Fan

AX4-4561



Impeller

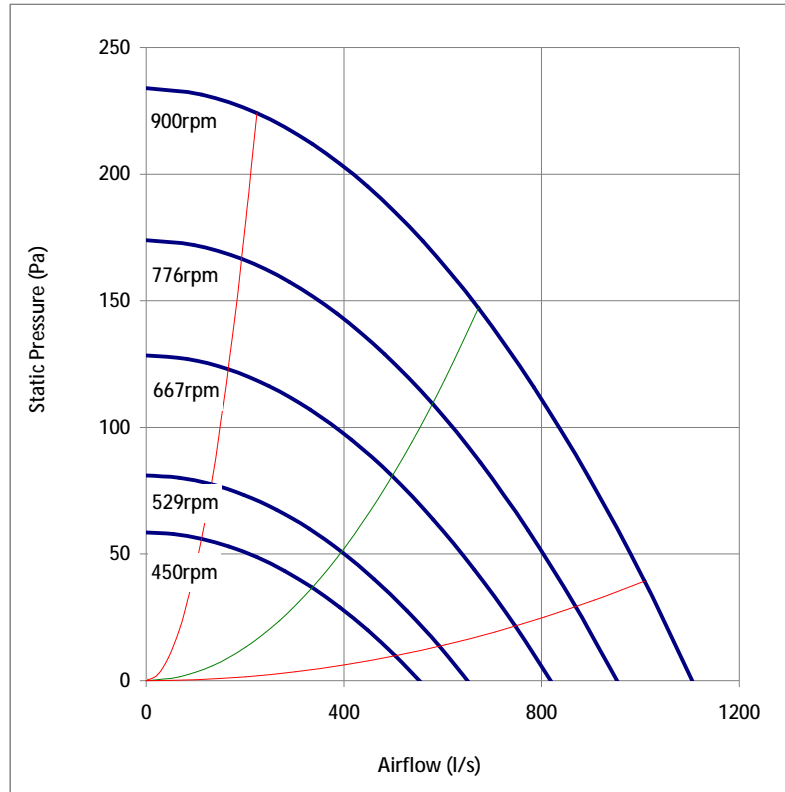
Size 450 mm
 Type Backward Arefoil Curve
 Material Black Composite Material
 Motor finish Powder Coating RAL7032

Motor

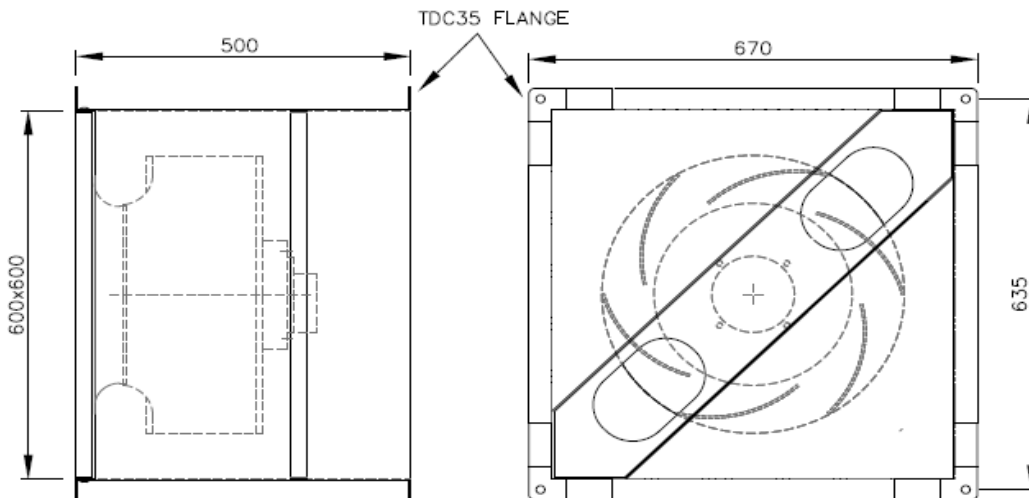
Type External Rotor
 IP Rating 54
 Insulation Class 155
 Power 0.25 Kw
 Power Supply 230V/1PH/50Hz
 Speed 900 RPM
 FLC 1.10 A
 Capacitor 8 µF
 Control RE3.5, 5 Step Controller
 Protection Thermal Contacts

Fan

Case Galvanise Steel
 Flange TDC35
 Weight 57 Kg
 Max. Temp 50 °C

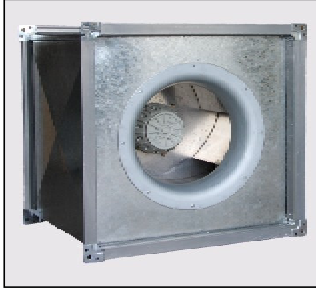


Speed (rpm)	Peak Pressure (Pa)	Peak Power (kw)	Motor Running Voltage (V)	Sound Power Level SWL dB re 1pw								Sound Pressure Level dBA at 3 meters
				63	125	250	500	1k	2k	4k	8k	
900	234	0.25	230	61	64	64	57	50	46	42	44	41
776	174	0.16	200	58	61	61	54	47	43	39	41	38
667	128	0.10	170	54	57	57	50	43	39	35	37	34
529	81	0.05	130	49	52	52	45	38	34	30	32	29
450	59	0.03	110	46	49	49	42	35	31	27	29	26



Inline Backward Curve Centrifugal Fan

AX4-4563



Impeller

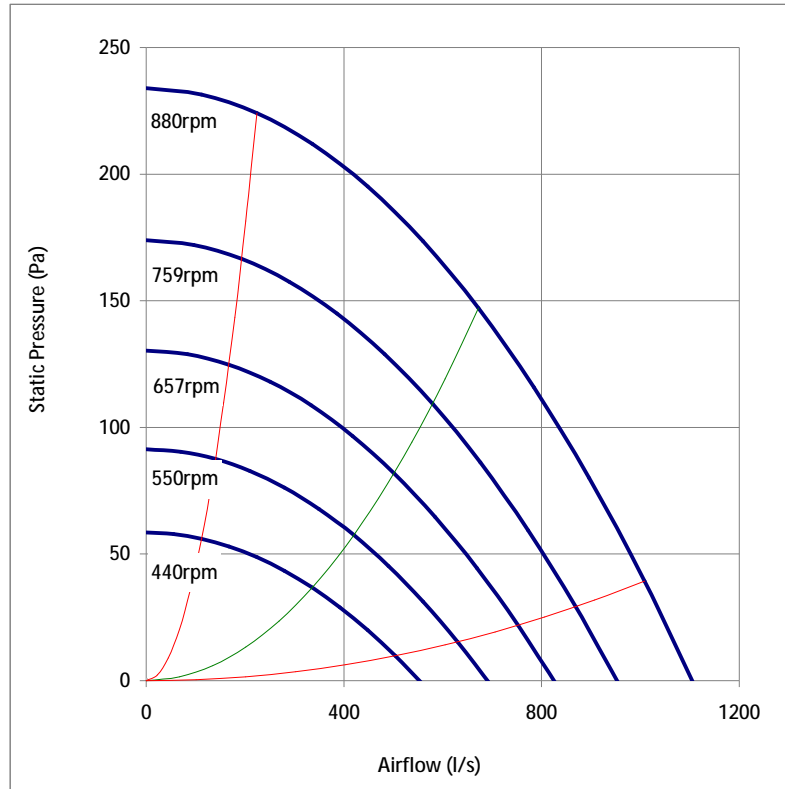
Size 450 mm
 Type Backward Arefoil Curve
 Material Black Composite Material
 Motor finish Powder Coating RAL7032

Motor

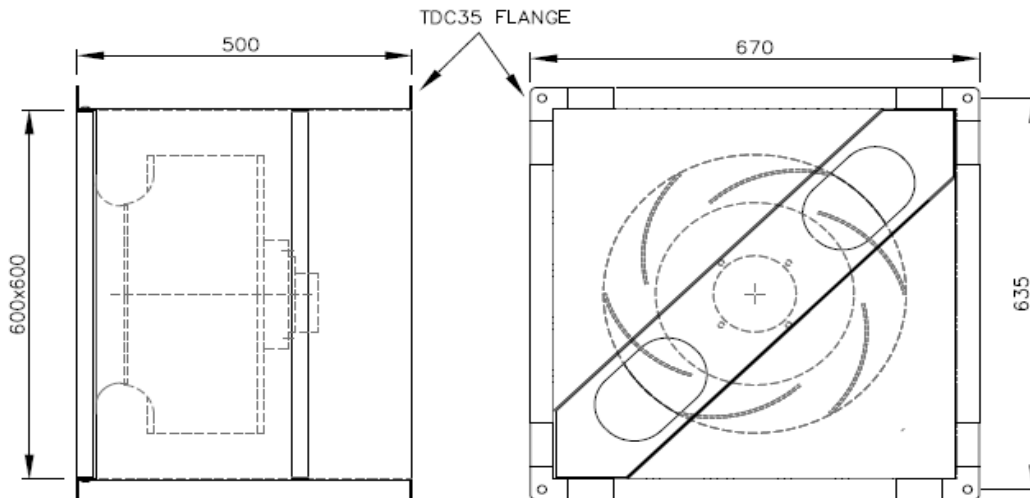
Type External Rotor
 IP Rating 54
 Insulation Class 155
 Power 0.25 Kw
 Power Supply 400V/3PH/50Hz
 Speed 880 RPM
 FLC 0.58 A
 Capacitor -
 Control Variable Speed Drive
 Protection Thermal Contacts

Fan

Case Galvanise Steel
 Flange TDC35
 Weight 57 Kg
 Max. Temp 50 °C

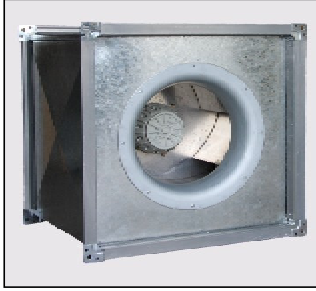


Speed (rpm)	Peak Pressure (Pa)	Peak Power (kw)	Running Frequency	Sound Power Level SWL dB re 1pw								Sound Pressure Level dBA at 3 meters
				63	125	250	500	1k	2k	4k	8k	
880	234	0.25	50	61	64	64	57	50	46	42	44	41
759	174	0.16	43	58	61	61	54	47	43	39	41	38
657	130	0.10	37	55	58	58	51	44	40	36	38	35
550	91	0.06	31	51	54	54	47	40	36	32	34	31
440	59	0.03	25	46	49	49	42	35	31	27	29	26



Inline Backward Curve Centrifugal Fan

AX4-5041



Impeller

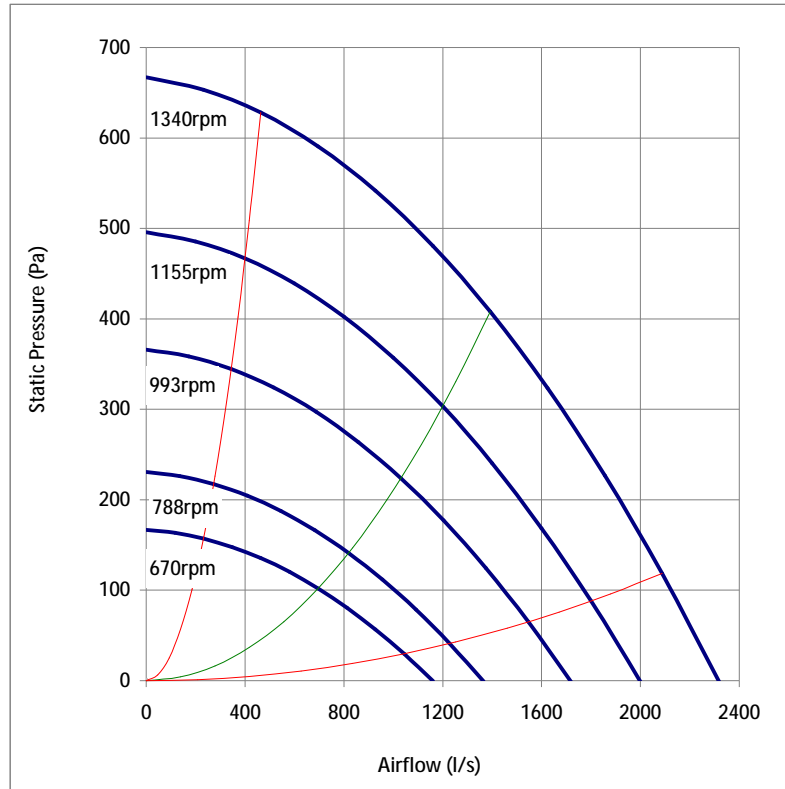
Size 500 mm
 Type Backward Arefoil Curve
 Material Black Composite Material
 Motor finish Powder Coating RAL7032

Motor

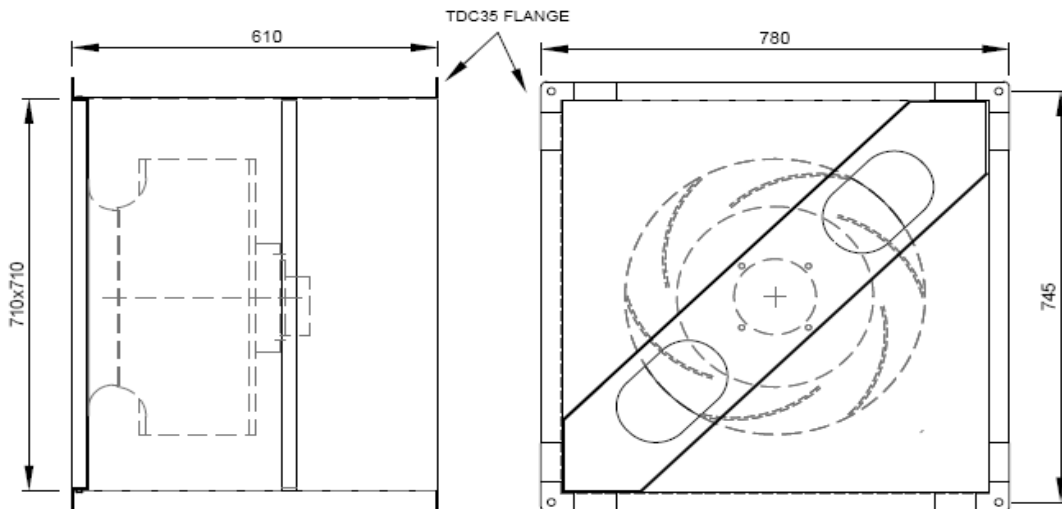
Type External Rotor
 IP Rating 54
 Insulation Class 155
 Power 1.30 Kw
 Power Supply 230V/1PH/50Hz
 Speed 1340 RPM
 FLC 5.80 A
 Capacitor 30 µF
 Control RE7.5, 5 Step Controller
 Protection Thermal Contacts

Fan

Case Galvanise Steel
 Flange TDC35
 Weight 65 Kg
 Max. Temp 50 °C

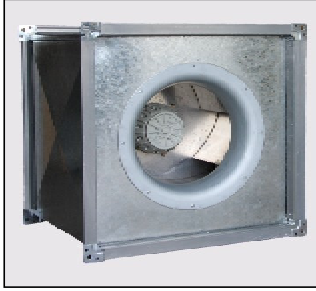


Speed (rpm)	Peak Pressure (Pa)	Peak Power (kw)	Motor Running Voltage (V)	Sound Power Level SWL dB re 1pw								Sound Pressure Level dBA at 3 meters
				63	125	250	500	1k	2k	4k	8k	
1340	667	1.30	230	72	78	72	70	64	59	57	61	51
1155	496	0.83	200	69	75	69	67	61	56	54	58	48
993	366	0.53	170	65	71	65	63	57	52	50	54	44
788	231	0.26	130	60	66	60	58	52	47	45	49	39
670	167	0.16	110	57	63	57	55	49	44	42	46	36



Inline Backward Curve Centrifugal Fan

AX4-5043



Impeller

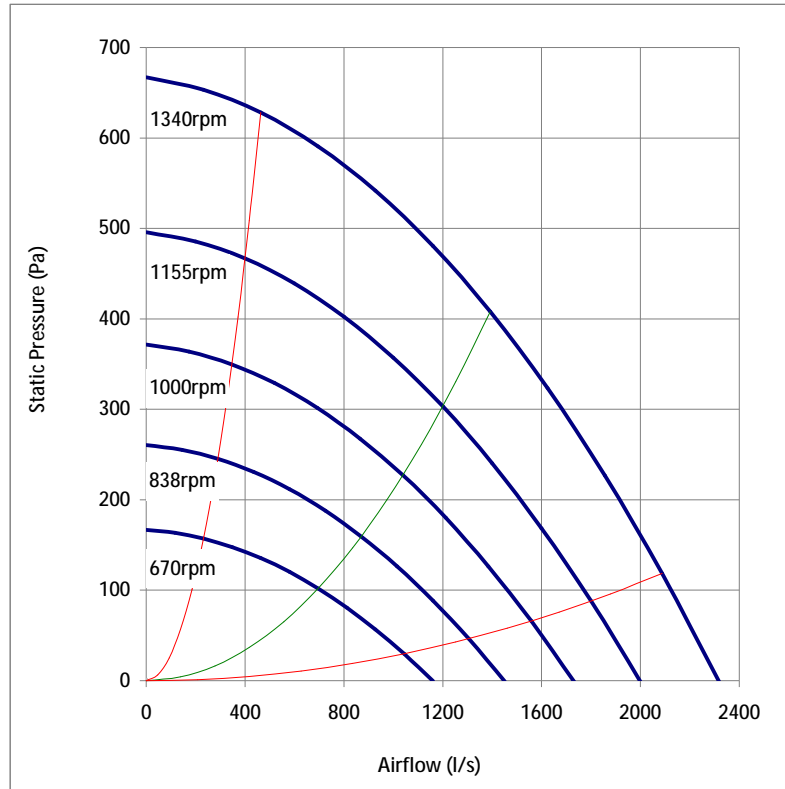
Size 500 mm
 Type Backward Arefoil Curve
 Material Black Composite Material
 Motor finish Powder Coating RAL7032

Motor

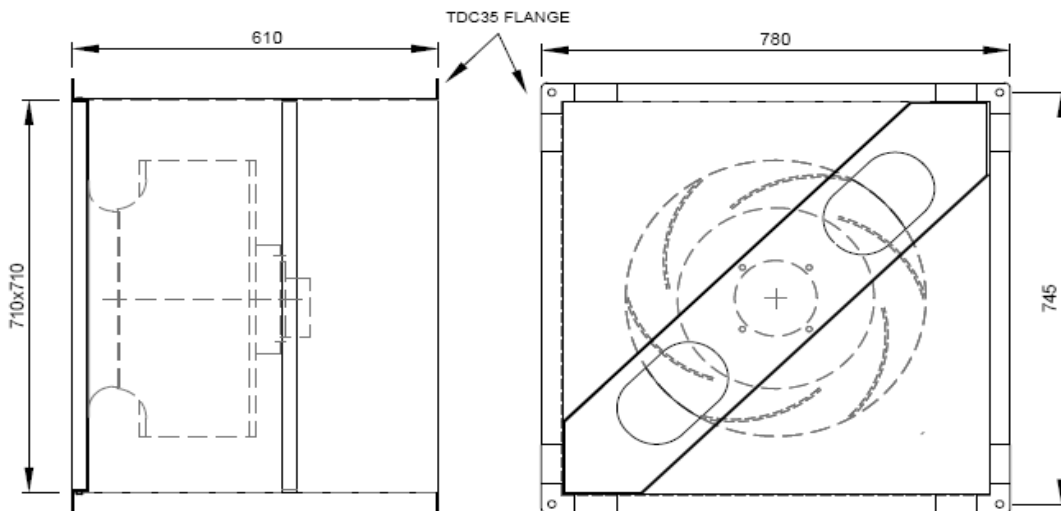
Type External Rotor
 IP Rating 54
 Insulation Class 155
 Power 1.20 Kw
 Power Supply 400V/3PH/50Hz
 Speed 1340 RPM
 FLC 2.20 A
 Capacitor -
 Control Variable Speed Drive
 Protection Thermal Contacts

Fan

Case Galvanise Steel
 Flange TDC35
 Weight 65 Kg
 Max. Temp 50 °C



Speed (rpm)	Peak Pressure (Pa)	Peak Power (kw)	Running Frequency	Sound Power Level SWL dB re 1pw								Sound Pressure Level dBA at 3 meters
				63	125	250	500	1k	2k	4k	8k	
1340	667	1.20	50	72	78	72	70	64	59	57	61	51
1155	496	0.77	43	69	75	69	67	61	56	54	58	48
1000	371	0.50	37	66	72	66	64	58	53	51	55	45
838	261	0.29	31	62	68	62	60	54	49	47	51	41
670	167	0.15	25	57	63	57	55	49	44	42	46	36



Inline Backward Curve Centrifugal Fan

AX4-5061



Impeller

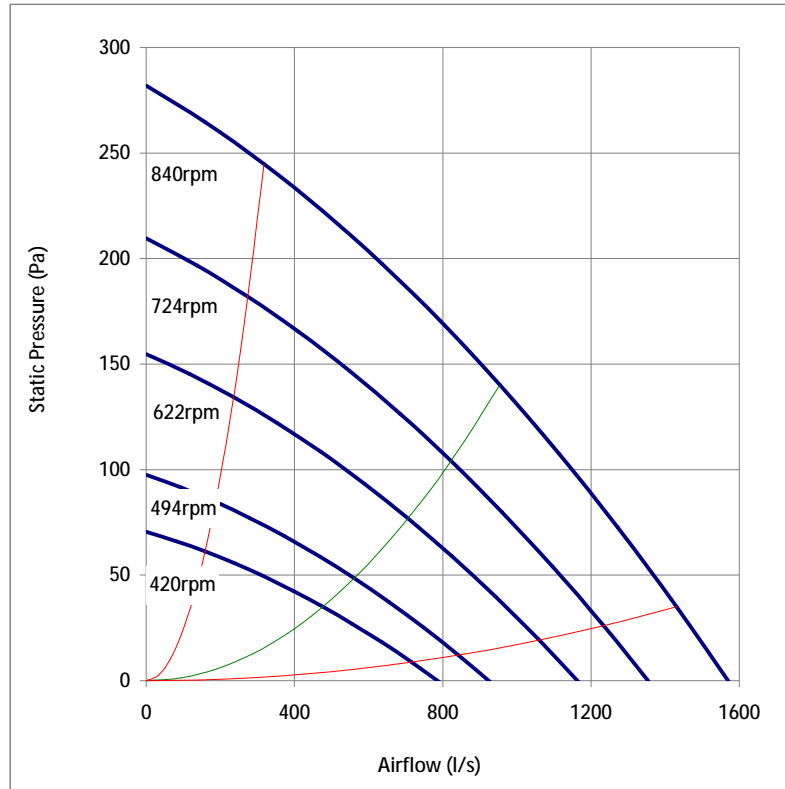
Size 500 mm
 Type Backward Arefoil Curve
 Material Black Composite Material
 Motor finish Powder Coating RAL7032

Motor

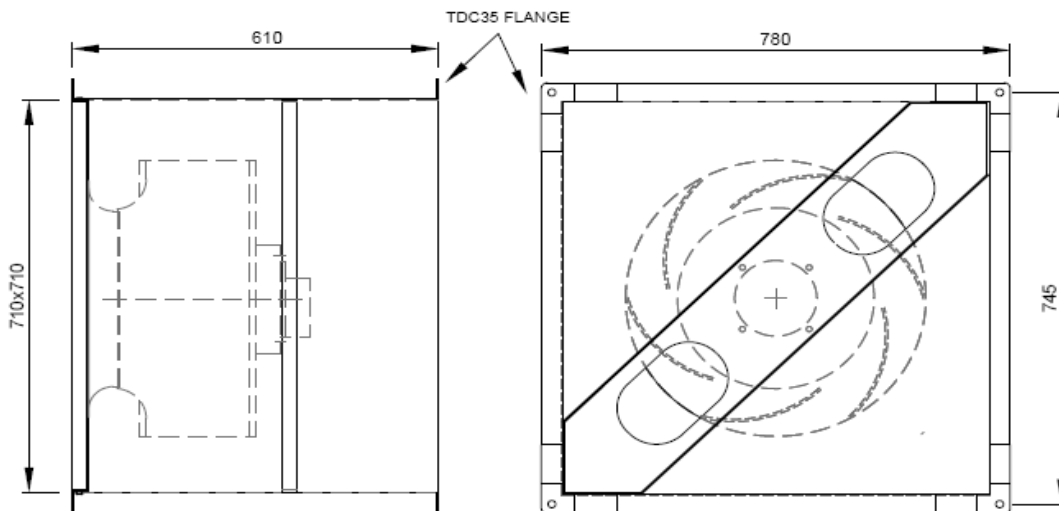
Type External Rotor
 IP Rating 54
 Insulation Class 155
 Power 0.38 Kw
 Power Supply 230V/1PH/50Hz
 Speed 840 RPM
 FLC 1.65 A
 Capacitor 12 µF
 Control RE3.5, 5 Step Controller
 Protection Thermal Contacts

Fan

Case Galvanise Steel
 Flange TDC35
 Weight 65 Kg
 Max. Temp 50 °C

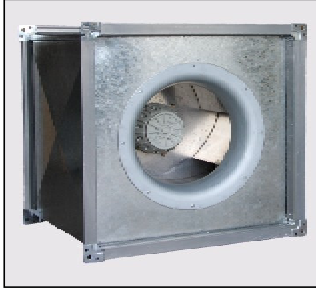


Speed (rpm)	Peak Pressure (Pa)	Peak Power (kw)	Motor Running Voltage (V)	Sound Power Level SWL dB re 1pw								Sound Pressure Level dBA at 3 meters
				63	125	250	500	1k	2k	4k	8k	
840	282	0.38	230	64	70	64	62	56	51	49	53	43
724	210	0.24	200	61	67	61	59	53	48	46	50	40
622	155	0.15	170	57	63	57	55	49	44	42	46	36
494	98	0.08	130	52	58	52	50	44	39	37	41	31
420	71	0.05	110	49	55	49	47	41	36	34	38	28



Inline Backward Curve Centrifugal Fan

AX4-5063



Impeller

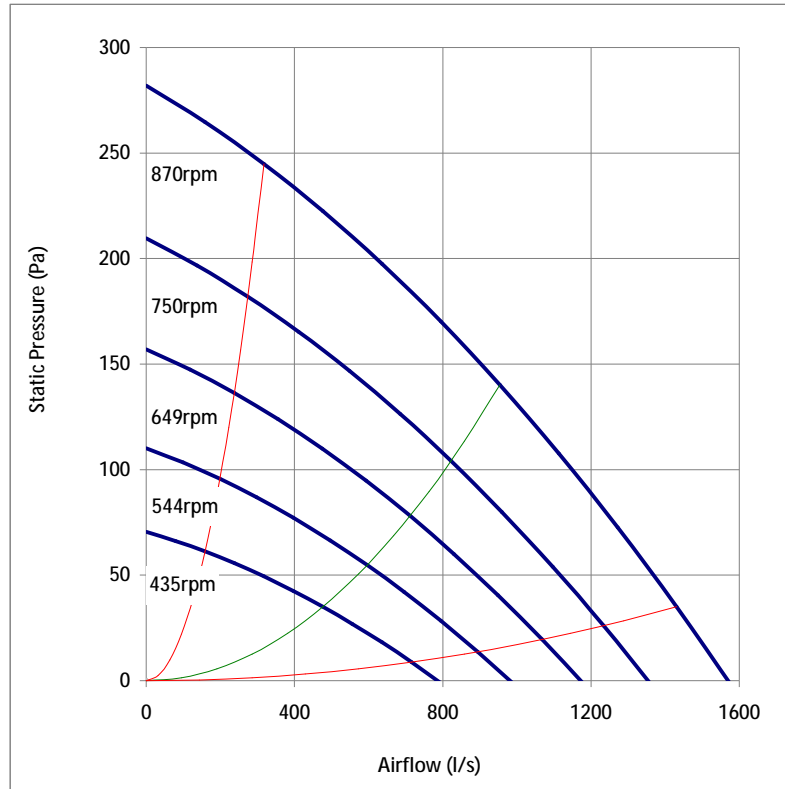
Size 500 mm
 Type Backward Arefoil Curve
 Material Black Composite Material
 Motor finish Powder Coating RAL7032

Motor

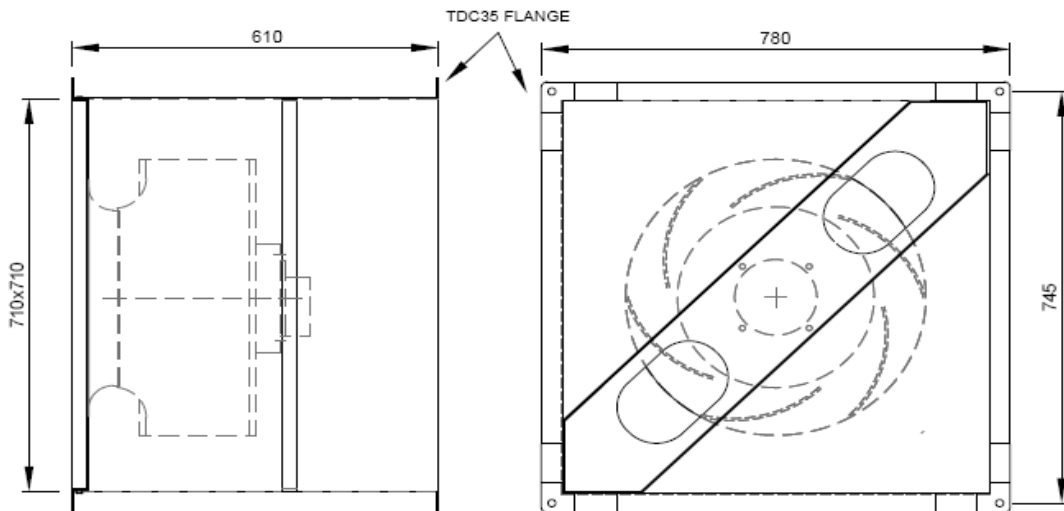
Type External Rotor
 IP Rating 54
 Insulation Class 155
 Power 0.42 Kw
 Power Supply 400V/3PH/50Hz
 Speed 870 RPM
 FLC 0.93 A
 Capacitor -
 Control Variable Speed Drive
 Protection Thermal Contacts

Fan

Case Galvanise Steel
 Flange TDC35
 Weight 65 Kg
 Max. Temp 50 °C

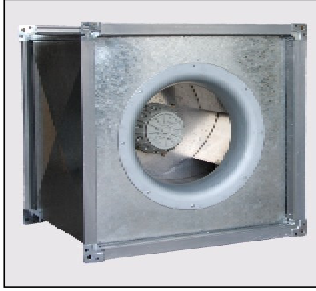


Speed (rpm)	Peak Pressure (Pa)	Peak Power (kw)	Running Frequency	Sound Power Level SWL dB re 1pw								Sound Pressure Level dBA at 3 meters
				63	125	250	500	1k	2k	4k	8k	
870	282	0.42	50	64	70	64	62	56	51	49	53	43
750	210	0.27	43	61	67	61	59	53	48	46	50	40
649	157	0.17	37	58	64	58	56	50	45	43	47	37
544	110	0.10	31	54	60	54	52	46	41	39	43	33
435	71	0.05	25	49	55	49	47	41	36	34	38	28



Inline Backward Curve Centrifugal Fan

AX4-5643



Impeller

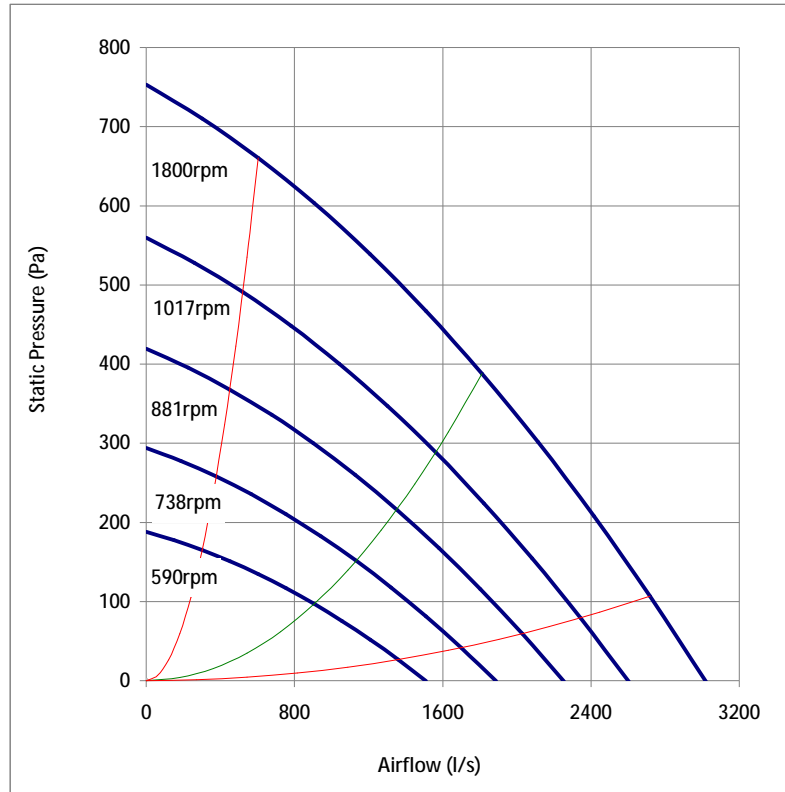
Size 560 mm
 Type Backward Arefoil Curve
 Material Black Composite Material
 Motor finish Powder Coating RAL7032

Motor

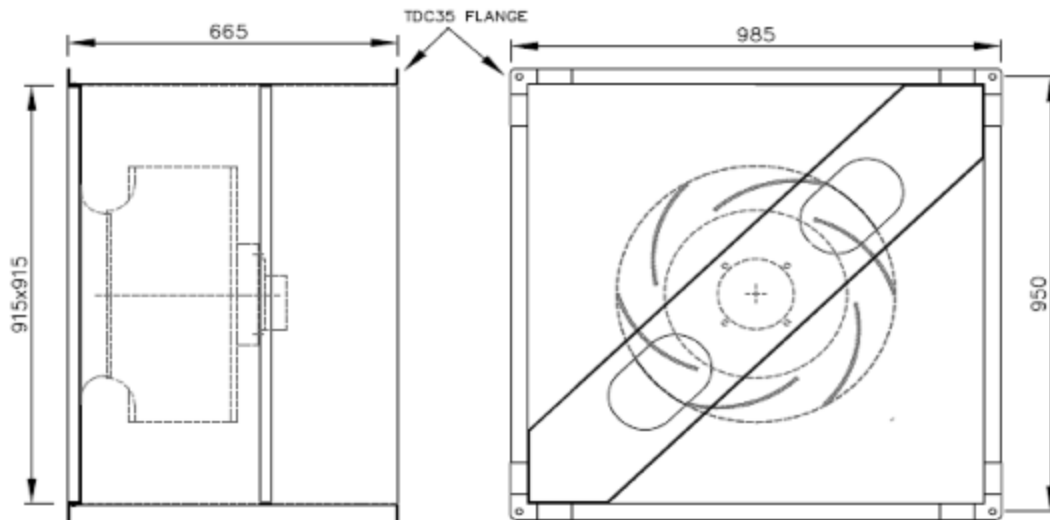
Type External Rotor
 IP Rating 54
 Insulation Class 155
 Power 1.70 Kw
 Power Supply 400V/3PH/50Hz
 Speed 1180 RPM
 FLC 3.30 A
 Capacitor -
 Control Variable Speed Drive
 Protection Thermal Contacts

Fan

Case Galvanise Steel
 Flange TDC35
 Weight 85 kg
 Max. Temp 50 °C

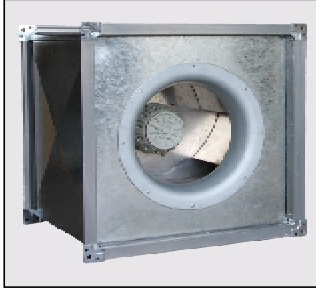


Speed (rpm)	Peak Pressure (Pa)	Peak Power (kw)	Running Frequency	Sound Power Level SWL (dB re 1pw)								Sound Pressure Level dBA at 3 meters
				63	125	250	500	1k	2k	4k	8k	
1180	753	1.70	50	70	80	73	68	63	58	56	62	52
1017	560	1.09	43	67	77	70	65	60	55	53	59	49
881	419	0.71	37	64	74	67	62	57	52	50	56	46
738	294	0.42	31	60	70	63	58	53	48	46	52	42
590	188	0.21	25	55	65	58	53	48	43	41	47	37



Inline Backward Curve Centrifugal Fan

AX4-5661



Impeller

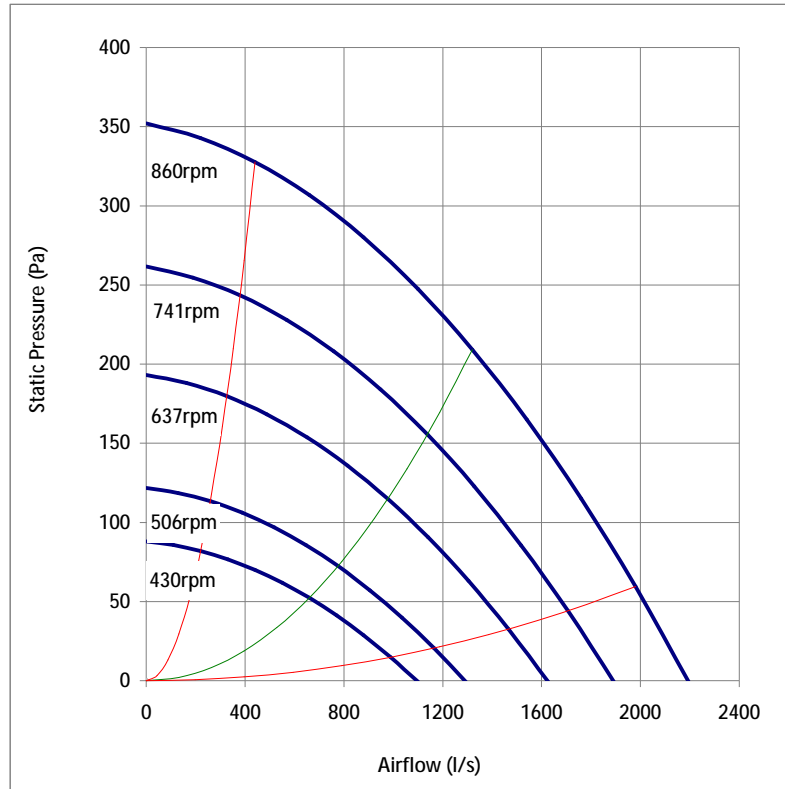
Size 560 mm
 Type Backward Arefoil Curve
 Material Black Composite Material
 Motor finish Powder Coating RAL7032

Motor

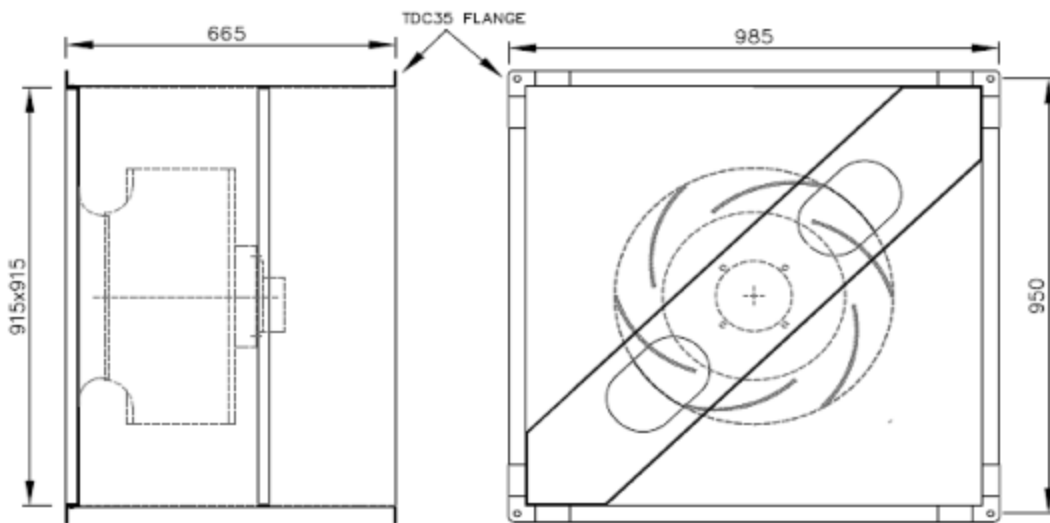
Type External Rotor
 IP Rating 54
 Insulation Class 155
 Power 0.66 Kw
 Power Supply 230V/1PH/50Hz
 Speed 860 RPM
 FLC 3.00 A
 Capacitor 14 µF
 Control RE3.5, 5 Step Controller
 Protection Thermal Contacts

Fan

Case Galvanise Steel
 Flange TDC35
 Weight 85 kg
 Max. Temp 50 °C

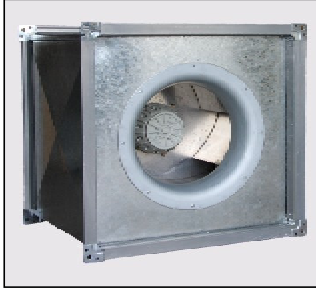


Speed (rpm)	Peak Pressure (Pa)	Peak Power (kw)	Motor Running Voltage (V)	Sound Power Level SWL (dB re 1pw)								Sound Pressure Level dBA at 3 meters
				63	125	250	500	1k	2k	4k	8k	
860	352	0.66	230	63	73	66	61	56	51	49	55	44
741	262	0.42	200	60	70	63	58	53	48	46	52	41
637	193	0.27	170	56	66	59	54	49	44	42	48	37
506	122	0.13	130	51	61	54	49	44	39	37	43	32
430	88	0.08	110	48	58	51	46	41	36	34	40	29



Inline Backward Curve Centrifugal Fan

AX4-5663



Impeller

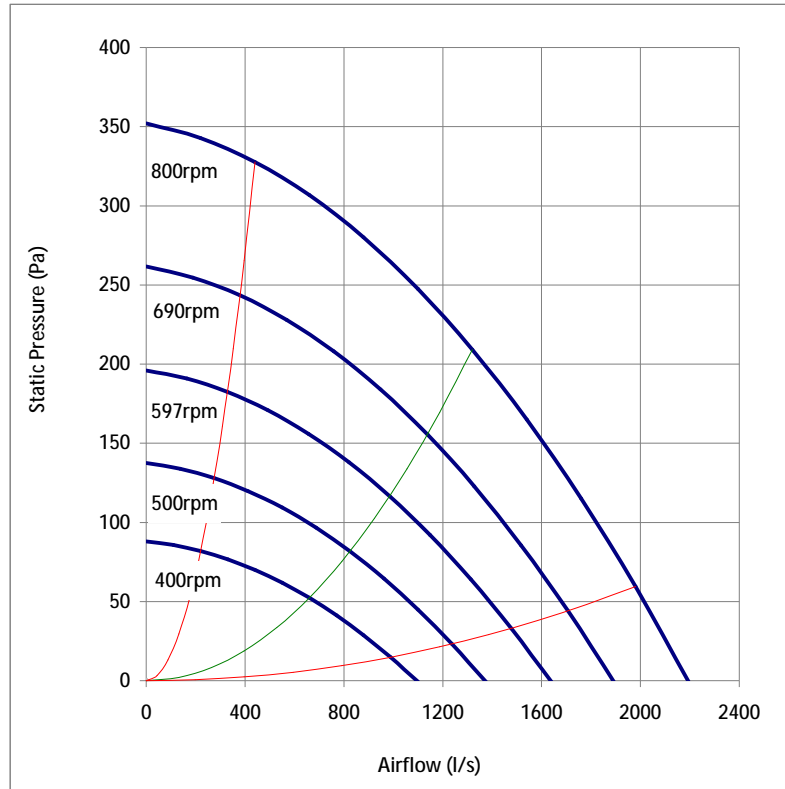
Size 560 mm
 Type Backward Arefoil Curve
 Material Black Composite Material
 Motor finish Powder Coating RAL7032

Motor

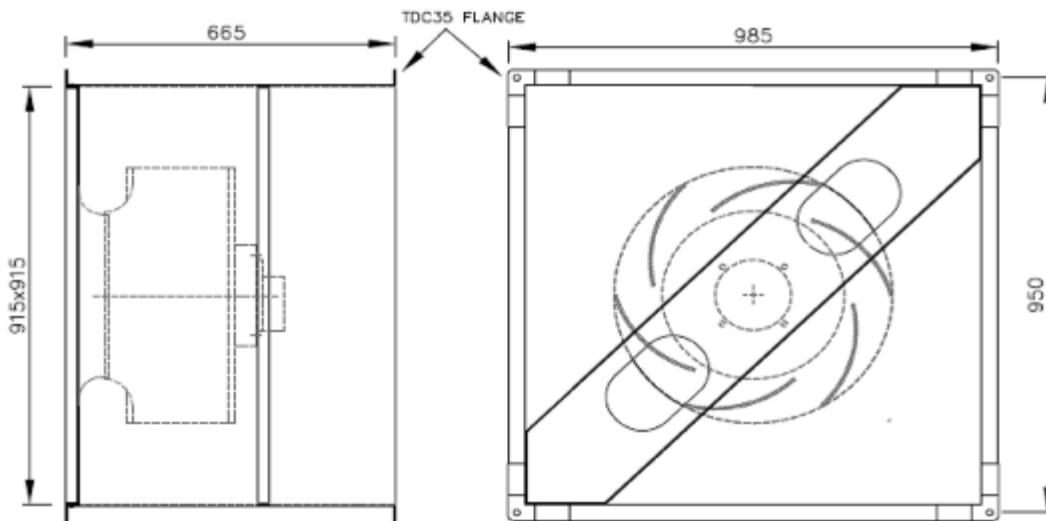
Type External Rotor
 IP Rating 54
 Insulation Class 155
 Power 0.61 Kw
 Power Supply 400V/3PH/50Hz
 Speed 800 RPM
 FLC 1.05 A
 Capacitor -
 Control Variable Speed Drive
 Protection Thermal Contacts

Fan

Case Galvanise Steel
 Flange TDC35
 Weight 85 kg
 Max. Temp 50 °C

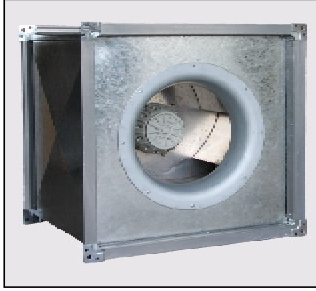


Speed (rpm)	Peak Pressure (Pa)	Peak Power (kw)	Running Frequency	Sound Power Level SWL dB re 1pw								Sound Pressure Level dBA at 3 meters
				63	125	250	500	1k	2k	4k	8k	
800	352	0.61	50	63	73	66	61	56	51	49	55	44
690	262	0.39	43	60	70	63	58	53	48	46	52	41
597	196	0.25	37	57	67	60	55	50	45	43	49	38
500	138	0.15	31	53	63	56	51	46	41	39	45	34
400	88	0.08	25	48	58	51	46	41	36	34	40	29



Inline Backward Curve Centrifugal Fan

AX4-6343



Impeller

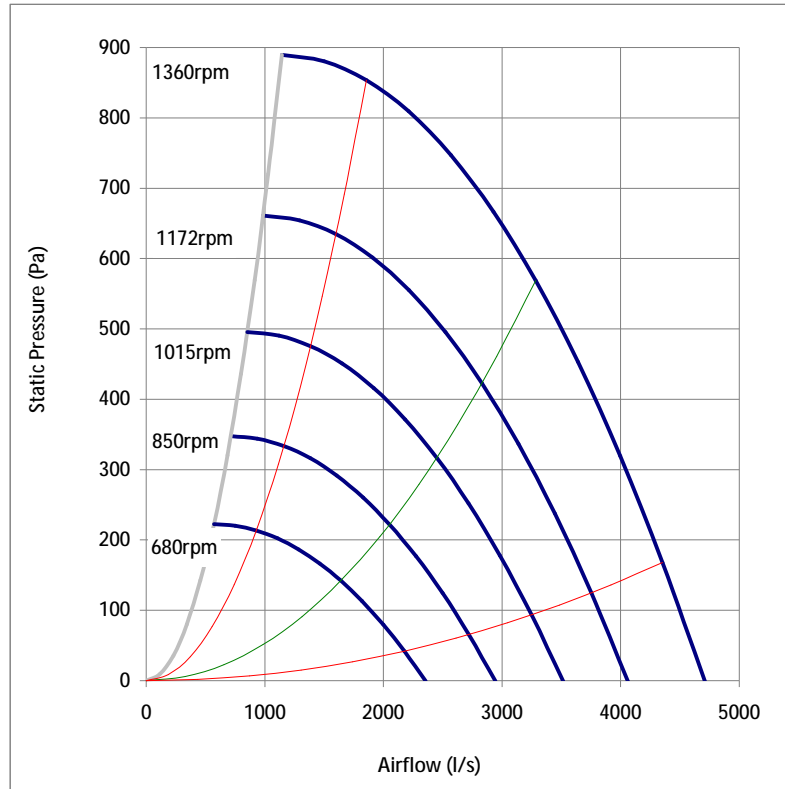
Size 630 mm
 Type Backward Arefoil Curve
 Material Black Composite Material
 Motor finish Powder Coating RAL7032

Motor

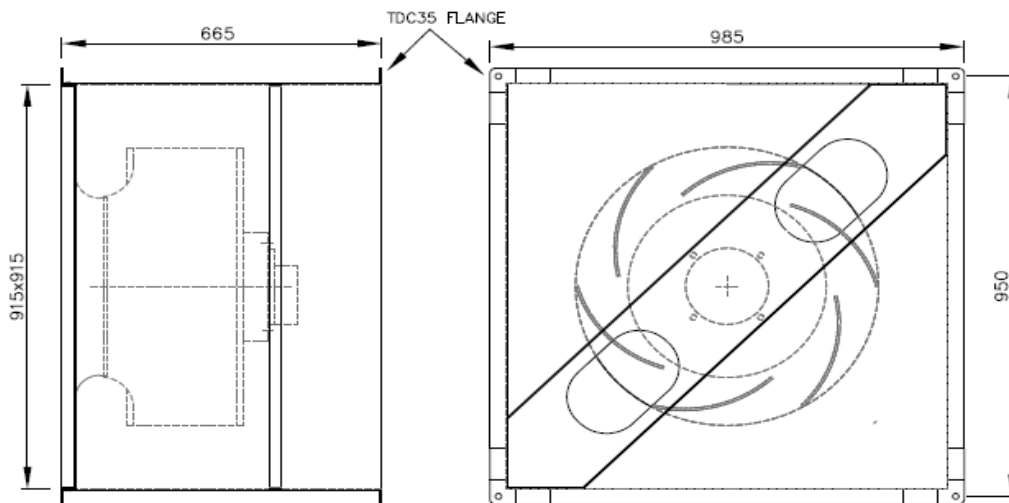
Type External Rotor
 IP Rating 54
 Insulation Class 155
 Power 3.90 Kw
 Power Supply 400V/3PH/50Hz
 Speed 1360 RPM
 FLC 6.60 A
 Capacitor -
 Control Variable Speed Drive
 Protection Thermal Contacts

Fan

Case Galvanise Steel
 Flange TDC35
 Weight 95 kg
 Max. Temp 50 °C

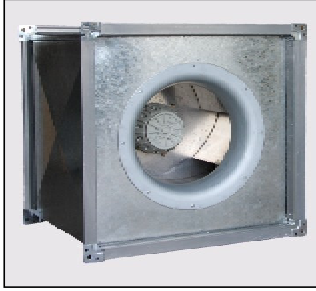


Speed (rpm)	Peak Pressure (Pa)	Peak Power (kw)	Running Frequency	Sound Power Level SWL dB re 1pw								Sound Pressure Level dBA at 3 meters
				63	125	250	500	1k	2k	4k	8k	
1360	889	3.90	50	81	86	82	77	78	72	69	64	60
1172	661	2.50	43	78	83	79	74	75	69	66	61	57
1015	495	1.62	37	75	80	76	71	72	66	63	58	54
850	347	0.95	31	71	76	72	67	68	62	59	54	50
680	222	0.49	25	66	71	67	62	63	57	54	49	45



Inline Backward Curve Centrifugal Fan

AX4-6363



Impeller

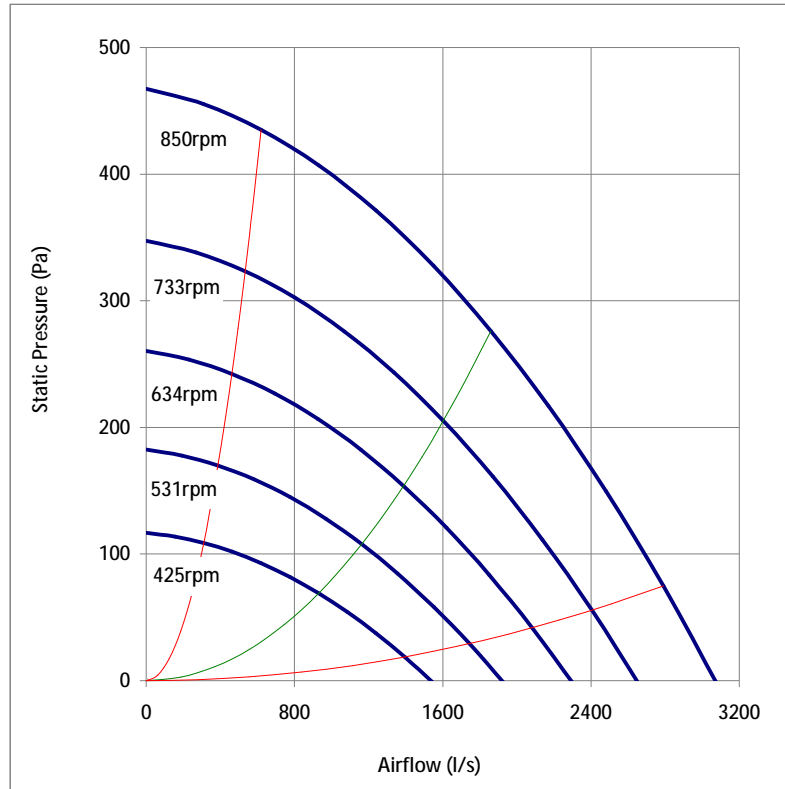
Size 630 mm
 Type Backward Arefoil Curve
 Material Black Composite Material
 Motor finish Powder Coating RAL7032

Motor

Type External Rotor
 IP Rating 54
 Insulation Class 155
 Power 1.10 Kw
 Power Supply 400V/3PH/50Hz
 Speed 850 RPM
 FLC 2.20 A
 Capacitor -
 Control Variable Speed Drive
 Protection Thermal Contacts

Fan

Case Galvanise Steel
 Flange TDC35
 Weight 95 kg
 Max. Temp 50 °C



Speed (rpm)	Peak Pressure (Pa)	Peak Power (kw)	Running Frequency	Sound Power Level SWL dB re 1pw								Sound Pressure Level dBA at 3 meters
				63	125	250	500	1k	2k	4k	8k	
850	468	1.10	50	73	78	74	69	70	64	61	56	53
733	347	0.70	43	70	75	71	66	67	61	58	53	50
634	260	0.46	37	67	72	68	63	64	58	55	50	47
531	183	0.27	31	63	68	64	59	60	54	51	46	43
425	117	0.14	25	58	63	59	54	55	49	46	41	38

