

Roof Cowls

- Roof Mounted
- Vertical Discharge or
- Down Flow

SPECIFICATION

Sizes

150,200, 250, 330, 400, 500, 630, 800, 1000mm diameter

Cowls

Cowl are moulded in ultra violet stabilised polyester resin, glass reinforced, rendered fire retardant to BS 476: part 7, class 2. Standard colour to BS4800:08B-21. Other colour available on request.

Rovel Cowls

The weather cap and base are moulded in Rovel UV stabilised, high impact strength , colour fast polymer, giving a robust while lightweight unit.

Wind band

The Windband of vertical discharge cowls are made of galvanised metal suited to mildly aggressive environments.

Shutters

Shutters are aluminium and fitted as standard, being lifted by discharged air velocity and closed by gravity. Synthetic rubber buffers are provided to ensure quite operation.

Woods DSPCO Roof Cowls



Roof Mount Relief Cowl

MVCO150



Size: 200

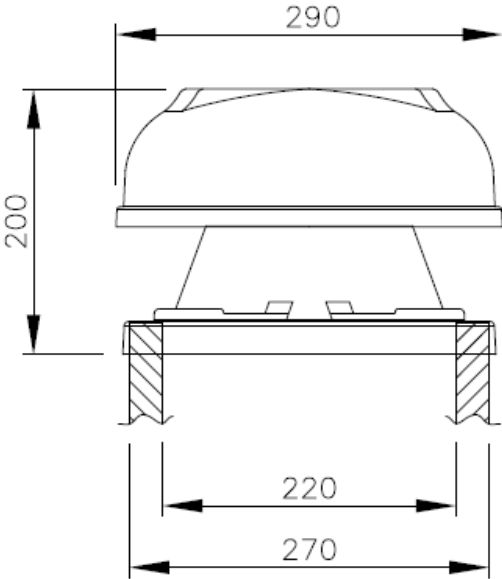
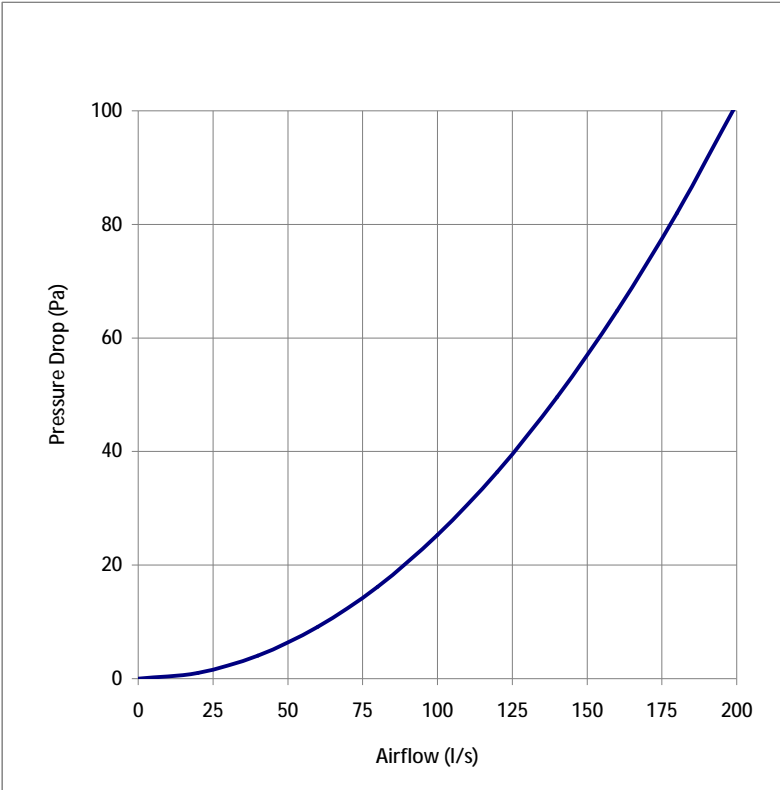
Cowl
 Material: Rovel UV Stabilised
 Type: Down Flow

Base
 Material: Rovel UV Stabilised

Bracket
 Material: Galvanised Steel

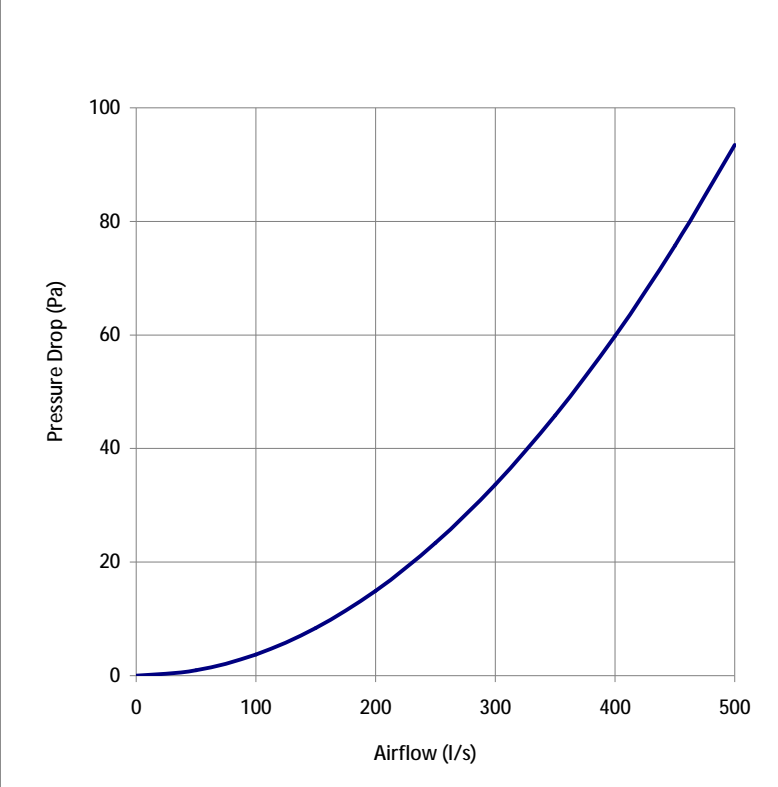
Fitting
 Material: Galvanised Steel

Bird guard
 Material: Plastic



Roof Mount Relief Cowl

DSMRCO200



- Size:** 200

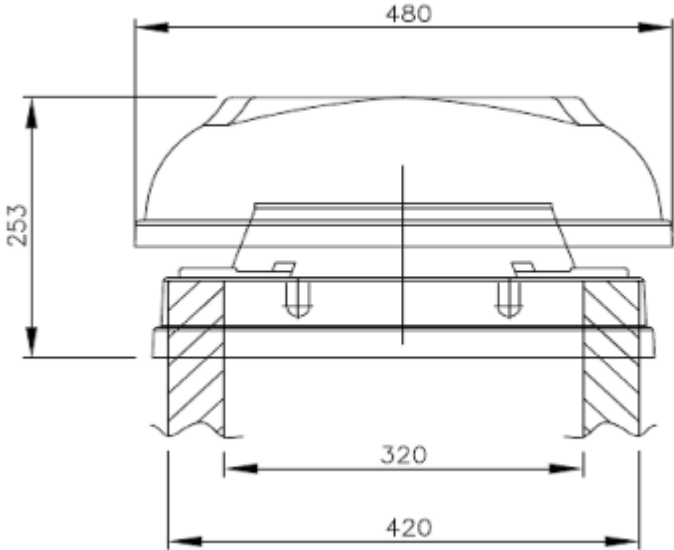
- Cowl**
- Material: Rovel UV Stabilised
- Type: Down Flow

- Base**
- Material: Rovel UV Stabilised

- Bracket**
- Material: Galvanised Steel

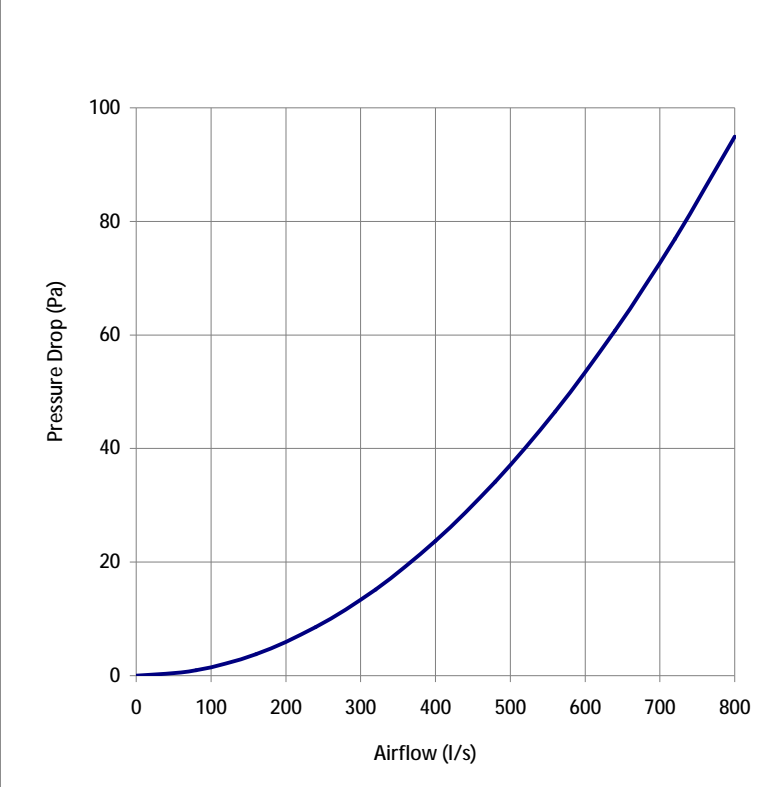
- Fitting**
- Material: Galvanised Steel

- Bird guard**
- Material: Plastic

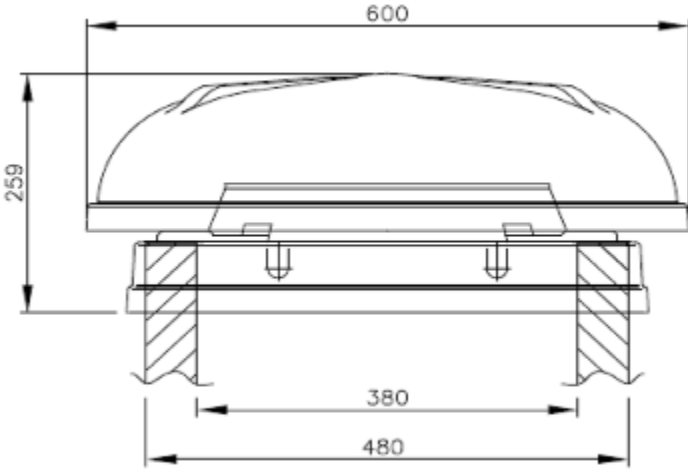


Roof Mount Relief Cowl

DSMRCO250



- Size:** 250
- Cowl**
 - Material: Rovel UV Stabilised
 - Type: Down Flow
- Base**
 - Material: Rovel UV Stabilised
- Bracket**
 - Material: Galvanised Steel
- Fitting**
 - Material: Galvanised Steel
- Bird guard**
 - Material: Plastic



Roof Mount Relief Cowl

DSMRCO330



- Size:** 330

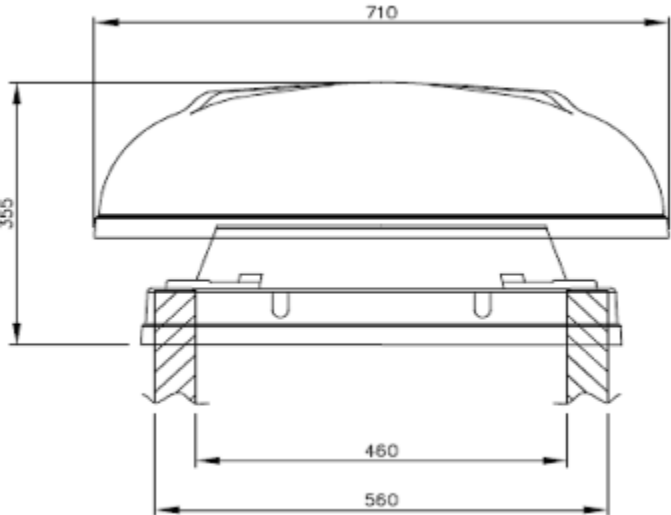
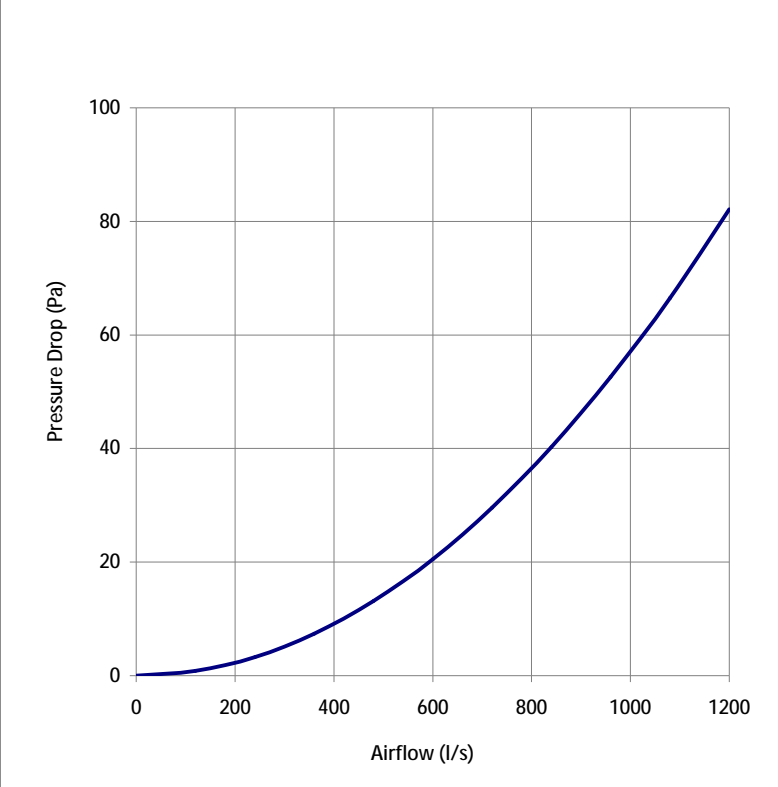
- Cowl**
- Material: Rovel UV Stabilised
- Type: Down Flow

- Base**
- Material: Rovel UV Stabilised

- Bracket**
- Material: Galvanised Steel

- Fitting**
- Material: Galvanised Steel

- Bird guard**
- Material: Plastic

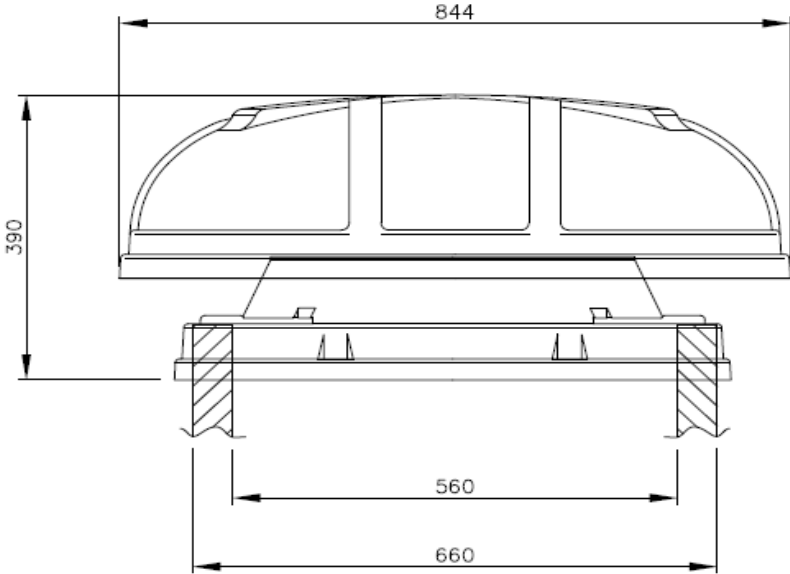
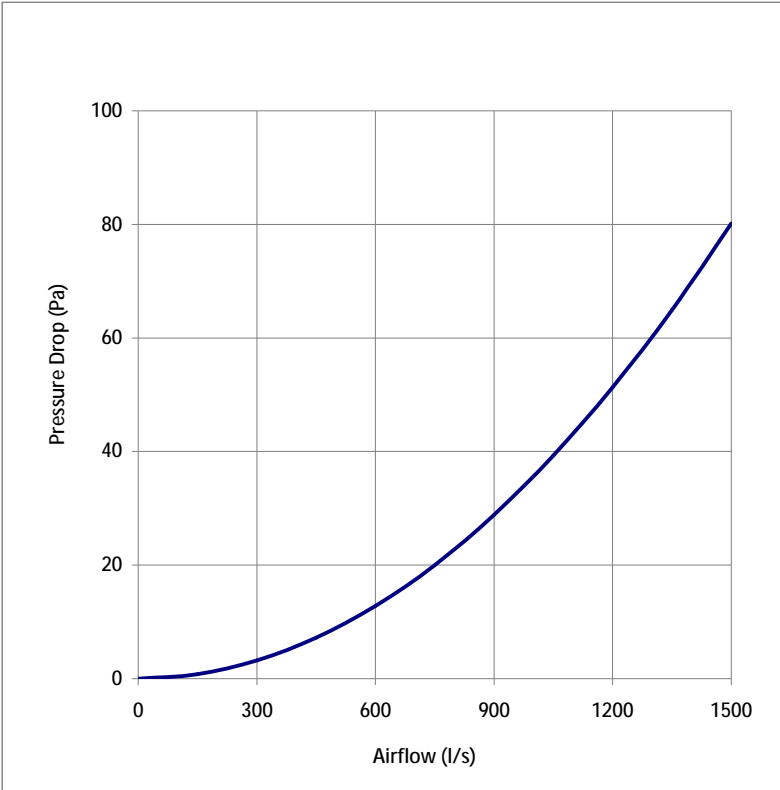


Roof Mount Relief Cowl

DSMRCO400



- Size:** 400
- Cowl**
- Material Rovel UV Stabilised
- Type Down Flow
- Base**
- Material Rovel UV Stabilised
- Bracket**
- Material Galvanised Steel
- Fitting**
- Material Galvanised Steel
- Bird guard**
- Material Plastic

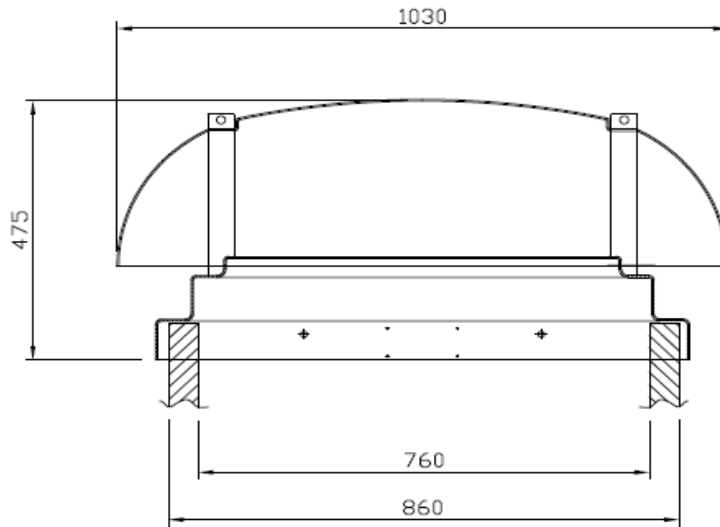
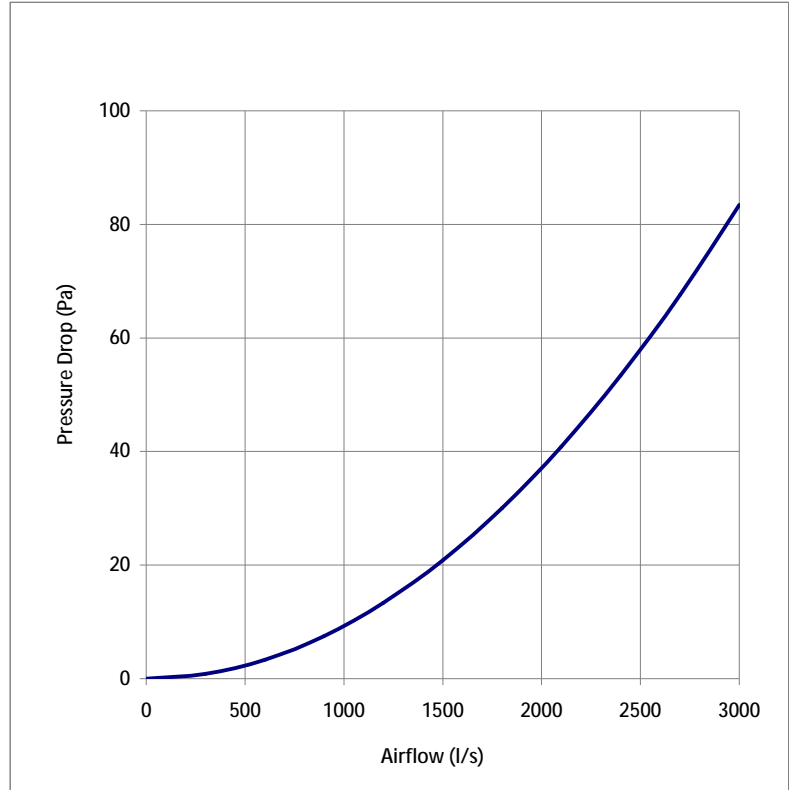


Roof Mount Relief Cowl

DSPCO630



Size:	630
Cowl	
Material	Fibreglass UV Stabilised
Type	Down Flow
Base	
Material	Fibreglass UV Stabilised
Bracket	
Material	Galvanised Steel
Fitting	
Material	Galvanised Steel
Bird guard	
Material	Plastic

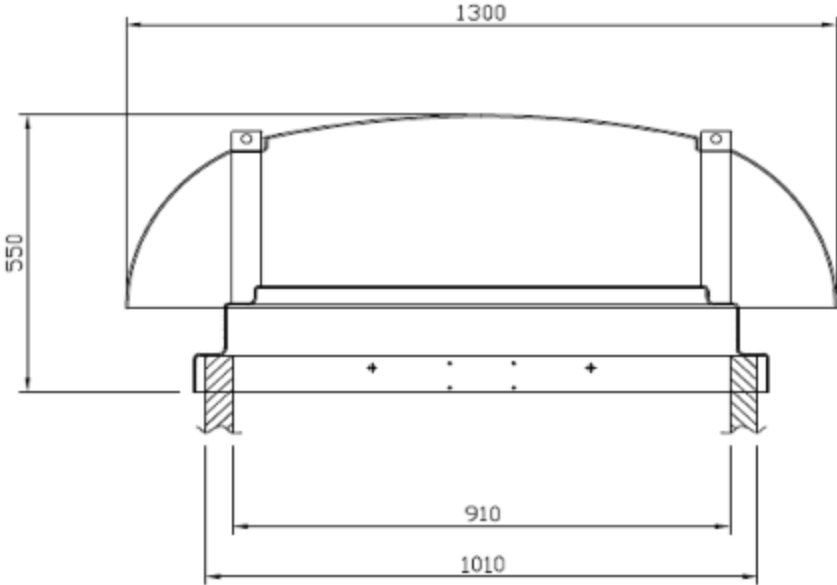
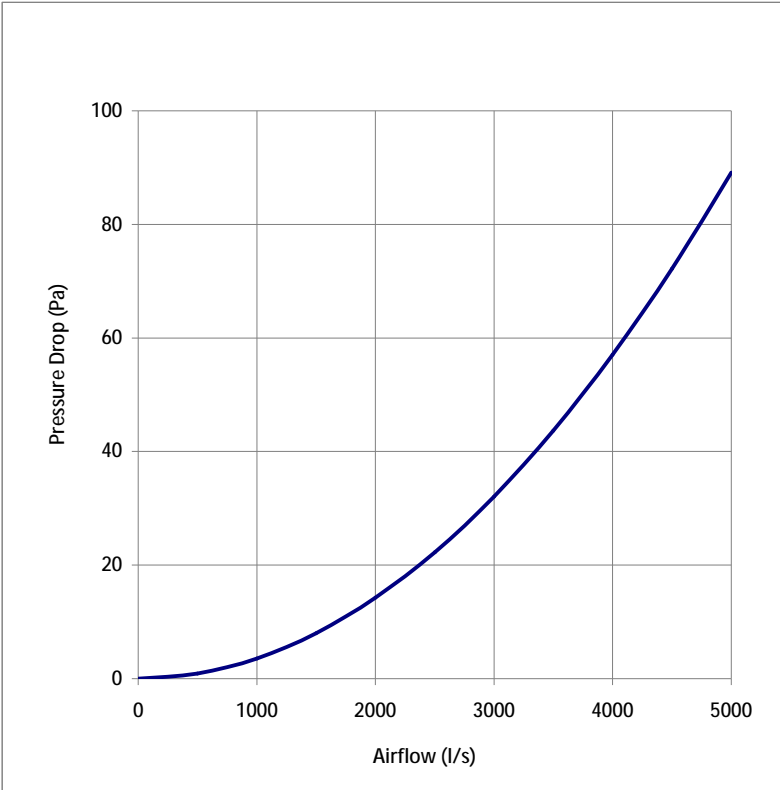


Roof Mount Relief Cowl

DSPCO800



Size:	800
Cowl	
Material	Fibreglass UV Stabilised
Type	Down Flow
Base	
Material	Fibreglass UV Stabilised
Bracket	
Material	Galvanised Steel
Fitting	
Material	Galvanised Steel
Bird guard	
Material	Plastic

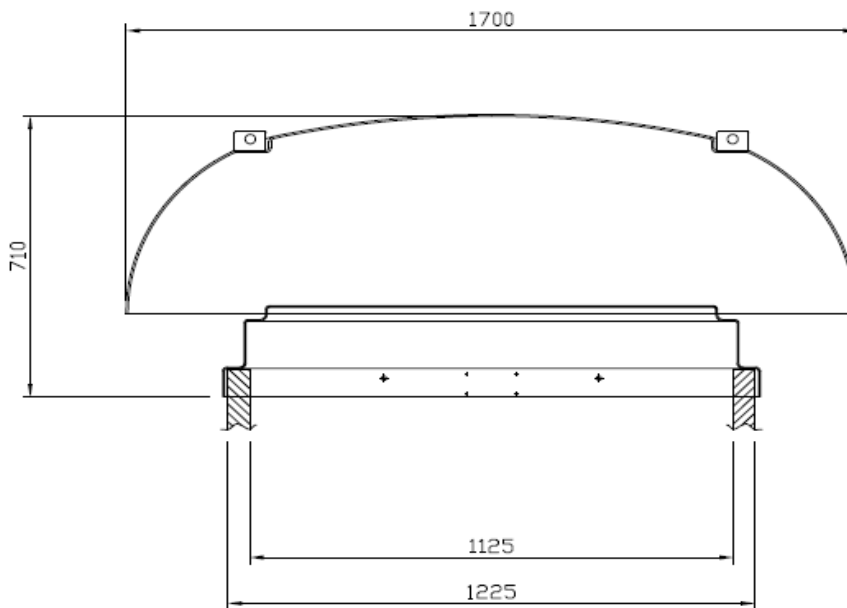
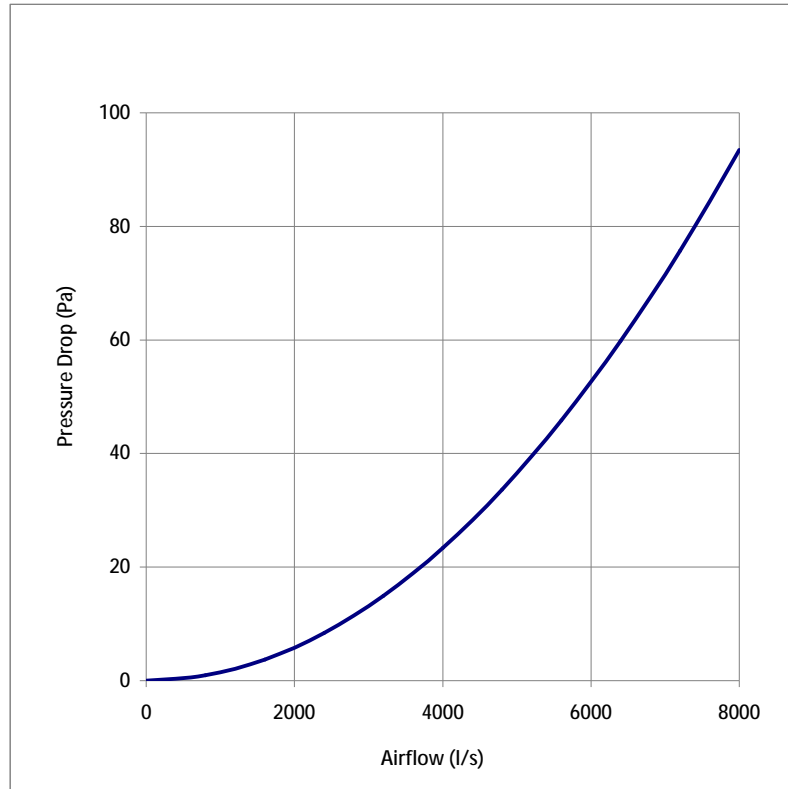


Roof Mount Relief Cowl

DSPCO1000



Size:	1000
Cowl	
Material	Fibreglass UV Stabilised
Type	Down Flow
Base	
Material	Fibreglass UV Stabilised
Bracket	
Material	Galvanised Steel
Fitting	
Material	Galvanised Steel
Bird guard	
Material	Plastic



Roof Mount Relief Cowl

DVCO250



- Size:** 250

- Cowl**
- Material: Alluminium
- Type: Vertical Discharge

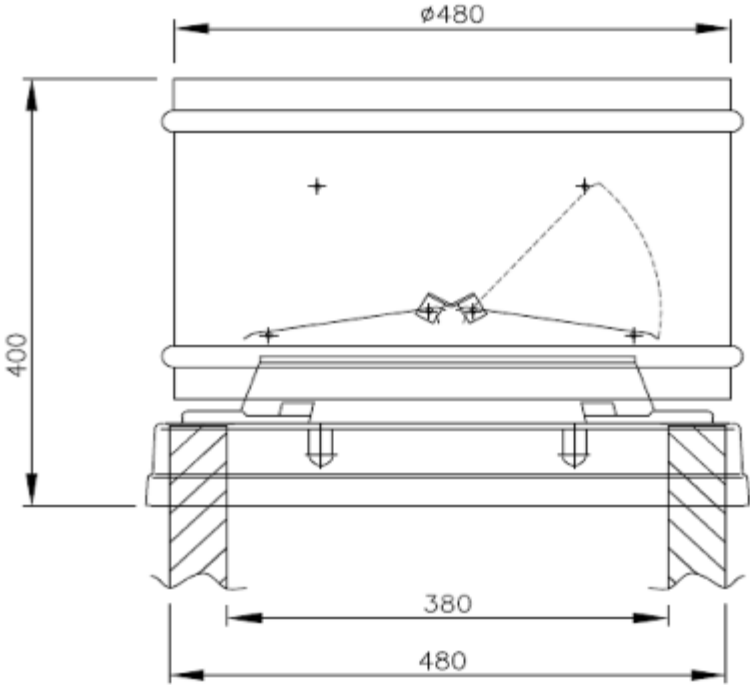
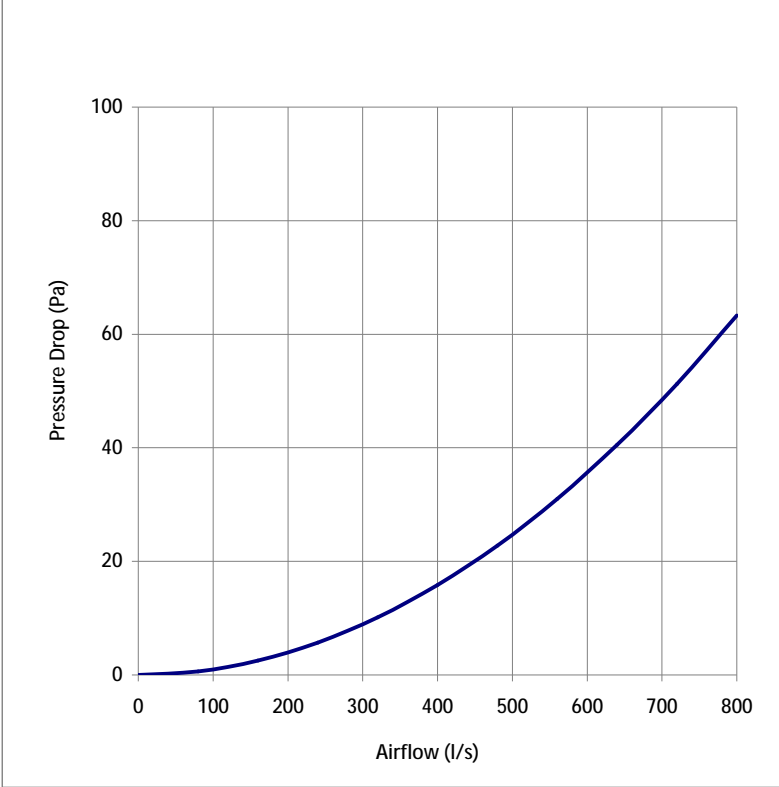
- Base**
- Material: Rovel UV Stabilised

- Bracket**
- Material: Galvanised Steel

- Fitting**
- Material: Stainless Steel

- Shutters**
- Material: Alluminium

- Weight** 12kg



Roof Mount Relief Cowl

DVCO330



- Size:** 330

- Cowl**
- Material: Alluminium
- Type: Vertical Discharge

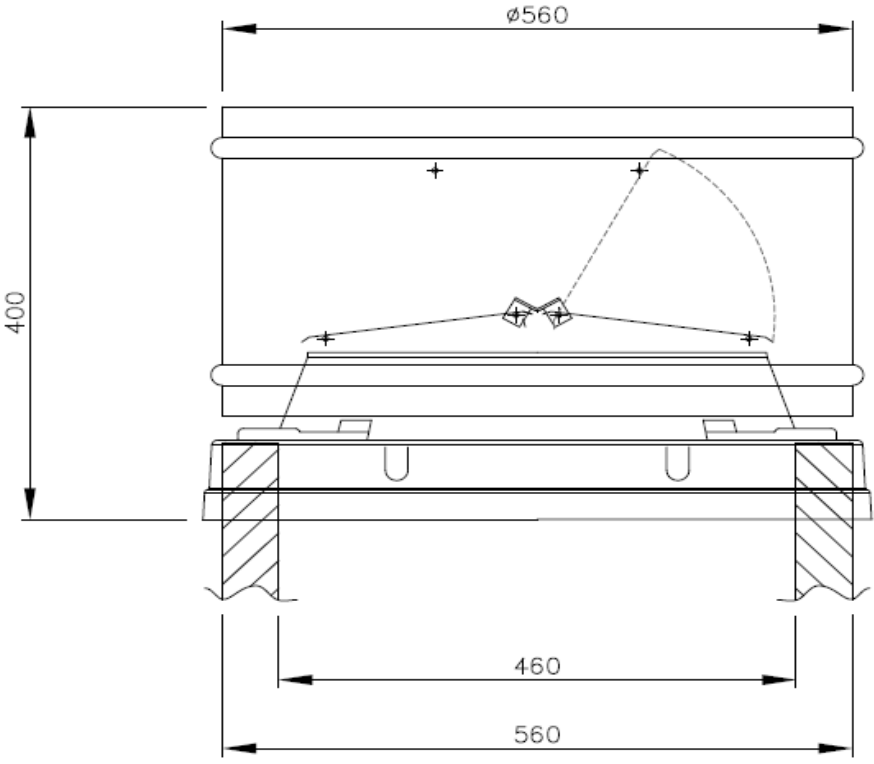
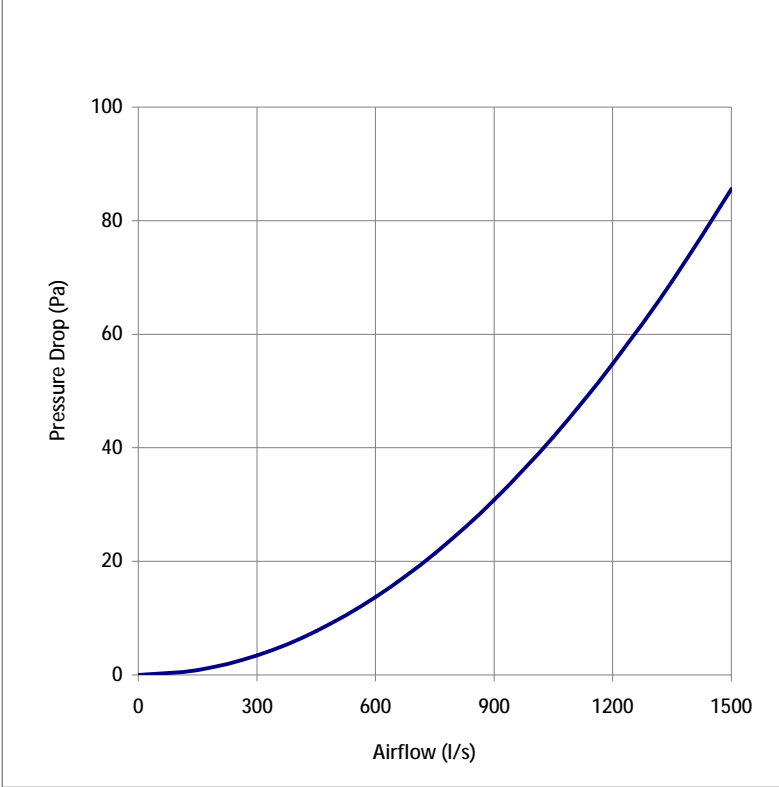
- Base**
- Material: Rovel UV Stabilised

- Bracket**
- Material: Galvanised Steel

- Fitting**
- Material: Stainless Steel

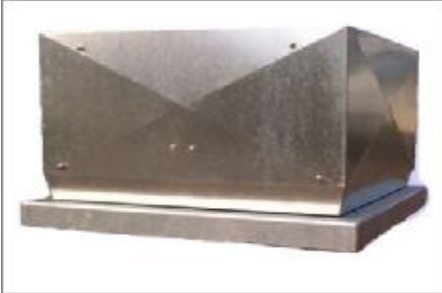
- Shutters**
- Material: Alluminium

- Weight** 23kg



Roof Mount Vertical Discharge Cowl

DVPGCO450



- Size:** 450

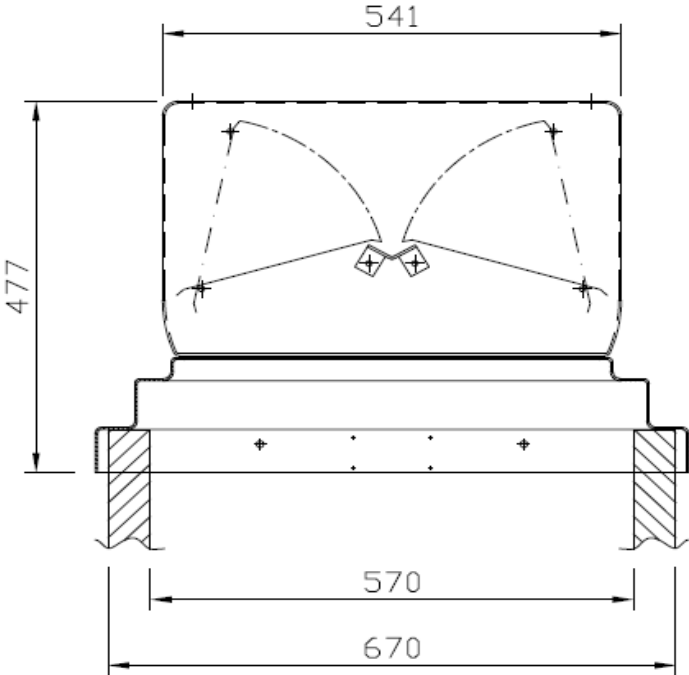
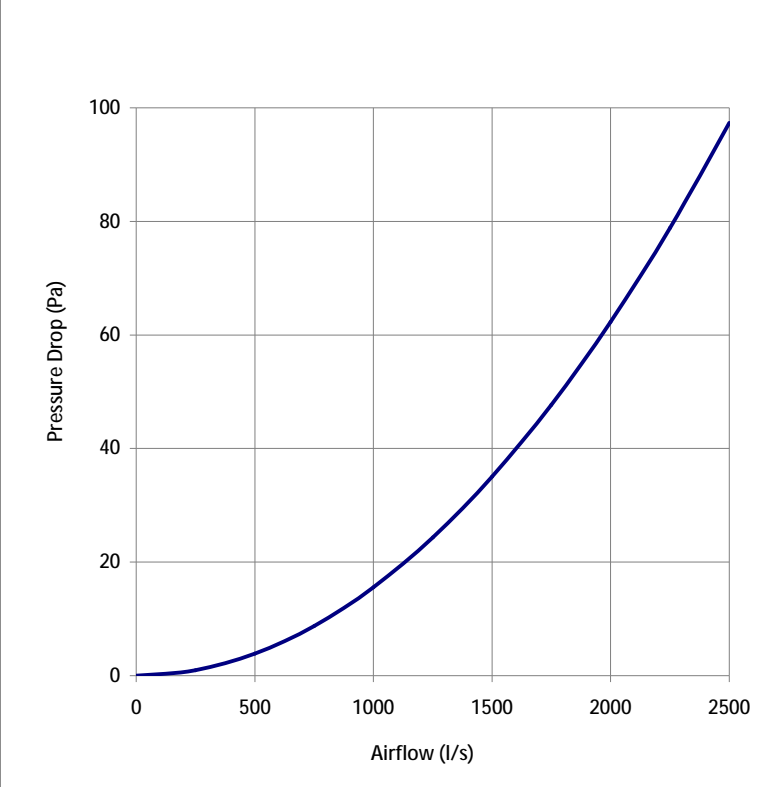
- Cowl**
- Material Galvanised Metal
- Type Vertical Discharge

- Base**
- Material Rovel UV Stabilised/
Galvanised Metal

- Bracket**
- Material Galvanised Steel

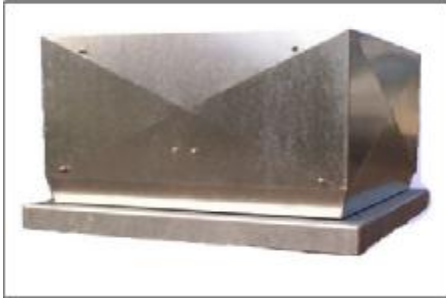
- Fitting**
- Material Galvanised Steel

- Shutters**
- Material Galvanised Metal/Aluminium

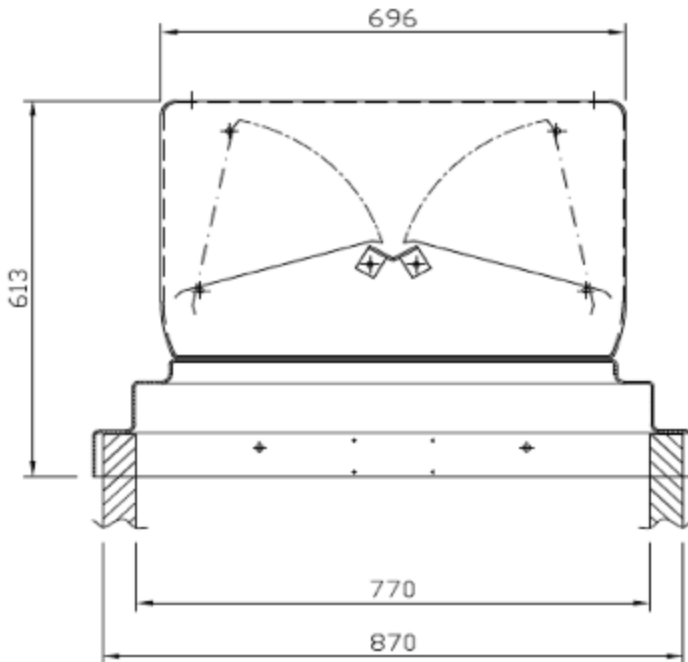
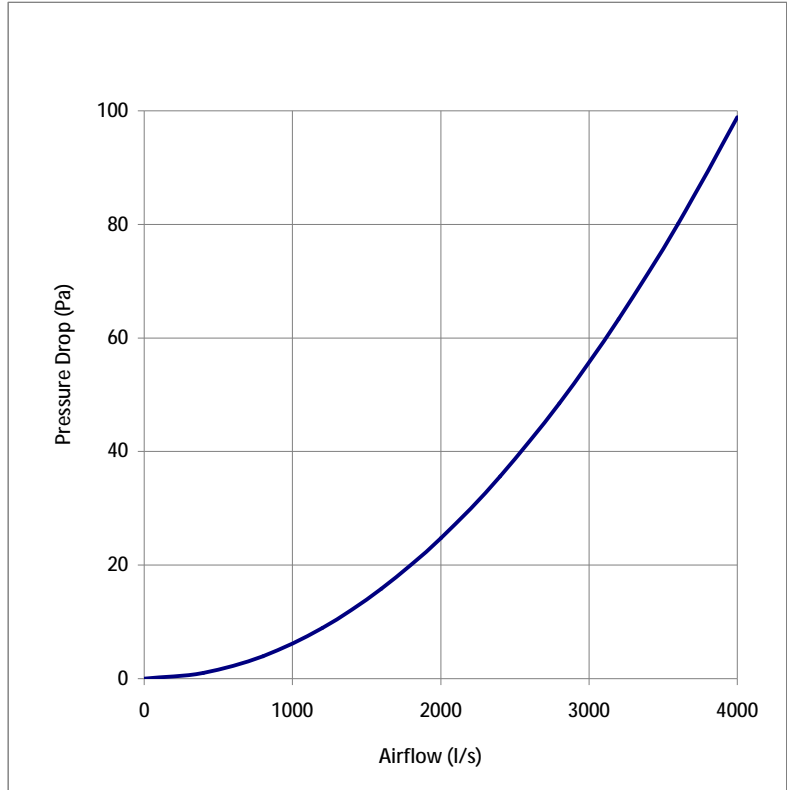


Roof Mount Vertical Discharge Cowl

DVPGCO630



Size:	630
Cowl	
Material	Galvanised Metal
Type	Vertical Discharge
Base	
Material	Rovel UV Stabilised/ Galvanised Metal
Bracket	
Material	Galvanised Steel
Fitting	
Material	Galvanised Steel
Shutters	
Material	Galvanised Metal/Aluminium

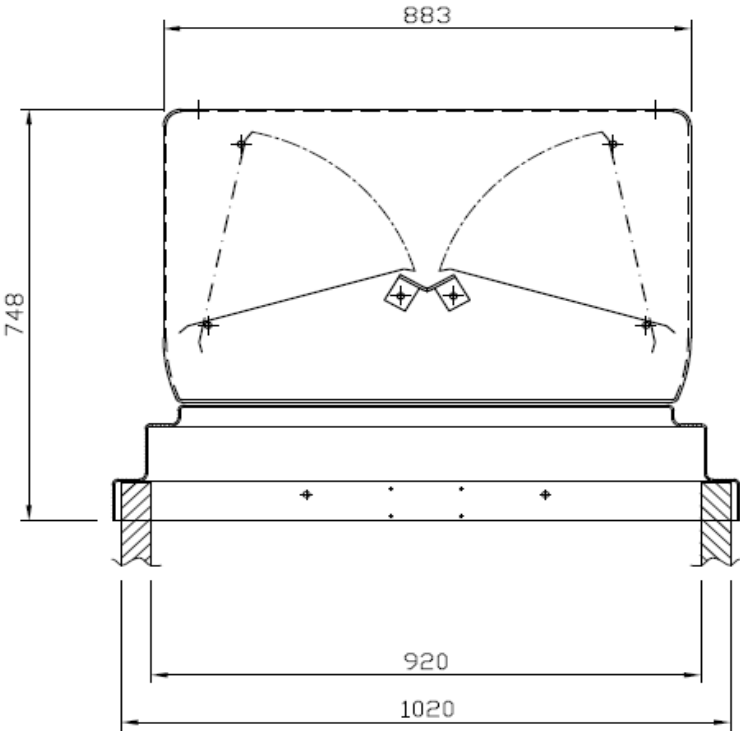
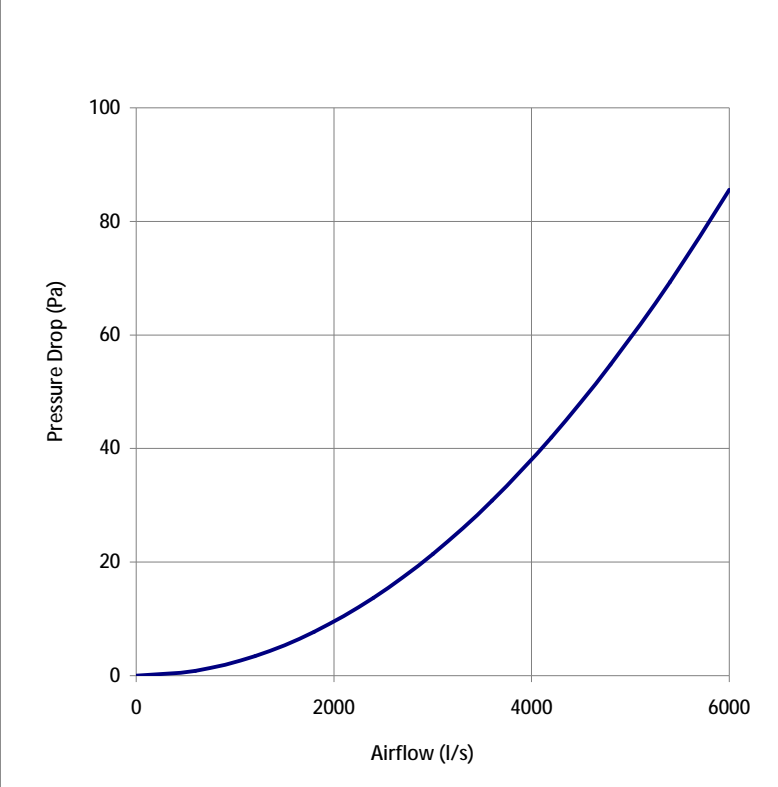


Roof Mount Vertical Discharge Cowl

DVPGCO800

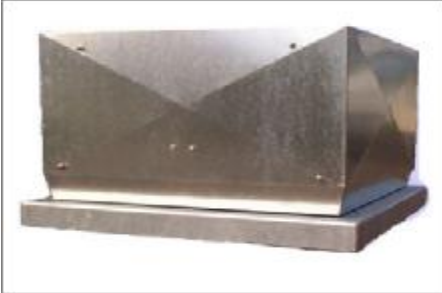


Size:	800
Cowl	
Material	Galvanised Metal
Type	Vertical Discharge
Base	
Material	Rovel UV Stabilised/ Galvanised Metal
Bracket	
Material	Galvanised Steel
Fitting	
Material	Galvanised Steel
Shutters	
Material	Galvanised Metal/Aluminium



Roof Mount Vertical Discharge Cowl

DVPGCO1000



Size:	1000
Cowl	
Material	Galvanised Metal
Type	Vertical Discharge
Base	
Material	Rovel UV Stabilised/ Galvanised Metal
Bracket	
Material	Galvanised Steel
Fitting	
Material	Galvanised Steel
Shutters	
Material	Galvanised Metal/Aluminium

