



DSP

- Roof Mount Axial Extract Fan



SPECIFICATION

Sizes

315,350,400,630, 710, 800, 1000mm diameter

Fan Performance

The fan is of large volume flow design. The impeller is designed to give excellent performance characteristic with large airflow and low static pressure development

Impellers

Flaktwoods clima axial impeller with aerofoil profiled blades. The impellers are manufactured from Aluminium hub and black composite material blades and balanced according to ISO1940.

MOTORS

Manufactured to comply AS1359 high efficiency IE2. Motor enclosure to feature IP55 protection . Motor winding insulation are to incorporate thermal class 155 as standard. Motor bearings are to be of maintenance free ball bearing design.

Casing

Cowl and base of the fans are of UV stabilised fibreglass. Impeller/motor assembly to be supported by a galvanised steel. Bird mesh to be fit as standard.

Test Procedures

Performance Date – Established from tests in accordance with ISO5801:1997
Sound levels – Established from tests in accordance with ISO3745

Woods Clima Axial Impeller



Roof Axial Downflow Fan

DSPR-3041



Impeller

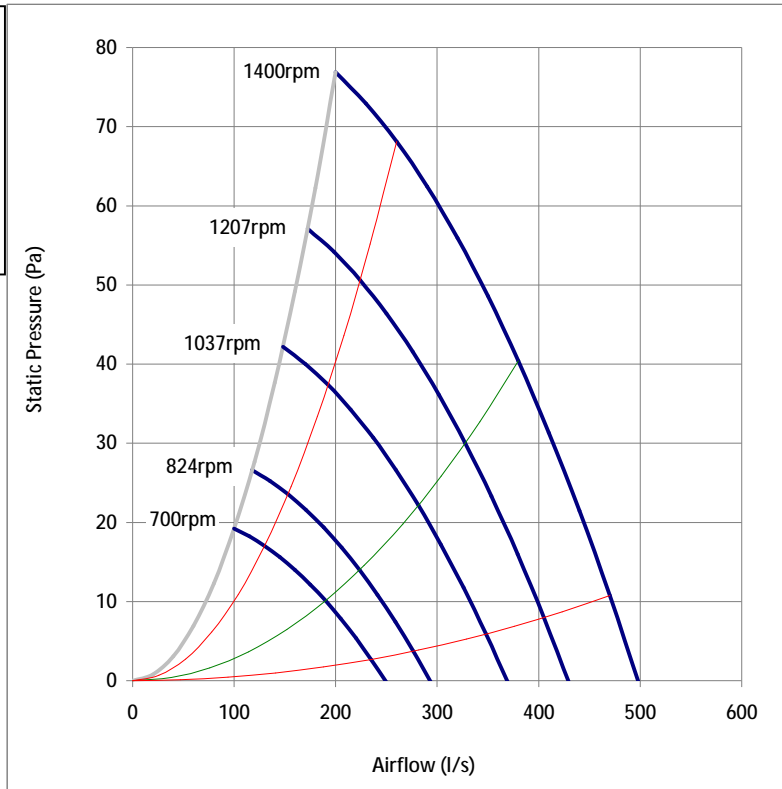
Size 300 mm
 Type Axial Arefoil
 Material Black Composite Material
 Motor finish Powder Coating RAL7032

Motor

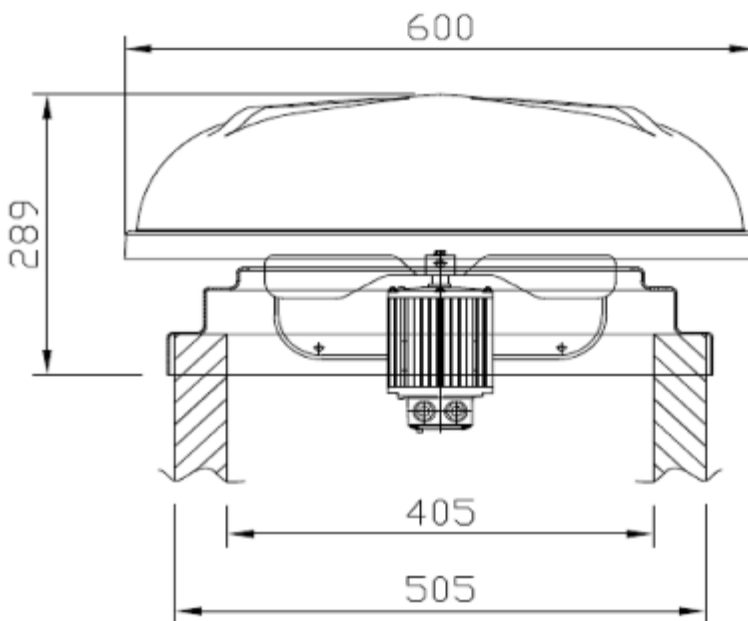
Type TEFC
 IP Rating 55
 Insulation Class 155
 Power 0.10 Kw
 Power Supply 230V/1PH/50Hz
 Speed 1400 RPM
 FLC 0.80 A
 Capacitor 5 µF
 Control RE1.5, 5 Step Controller
 Protection Thermal Contacts

Fan

Cowl Rovel UV Stabilised
 Weight 25
 Max. Temp 50 °C



Speed (rpm)	Peak Pressure (Pa)	Peak Power (kw)	Motor Running Voltage (V)	Sound Power Level SWL dB re 1pw								Sound Pressure Level dB at 3 meters
				63	125	250	500	1k	2k	4k	8k	
1400	77	0.10	230	61	65	59	59	55	51	45	40	41
1207	57	0.06	200	58	62	56	56	52	48	42	37	38
1037	42	0.04	170	54	58	52	52	48	44	38	33	34
824	27	0.02	130	49	53	47	47	43	39	33	28	29
700	19	0.01	110	46	50	44	44	40	36	30	25	26



Roof Axial Downflow Fan

DSPR-3541



Impeller

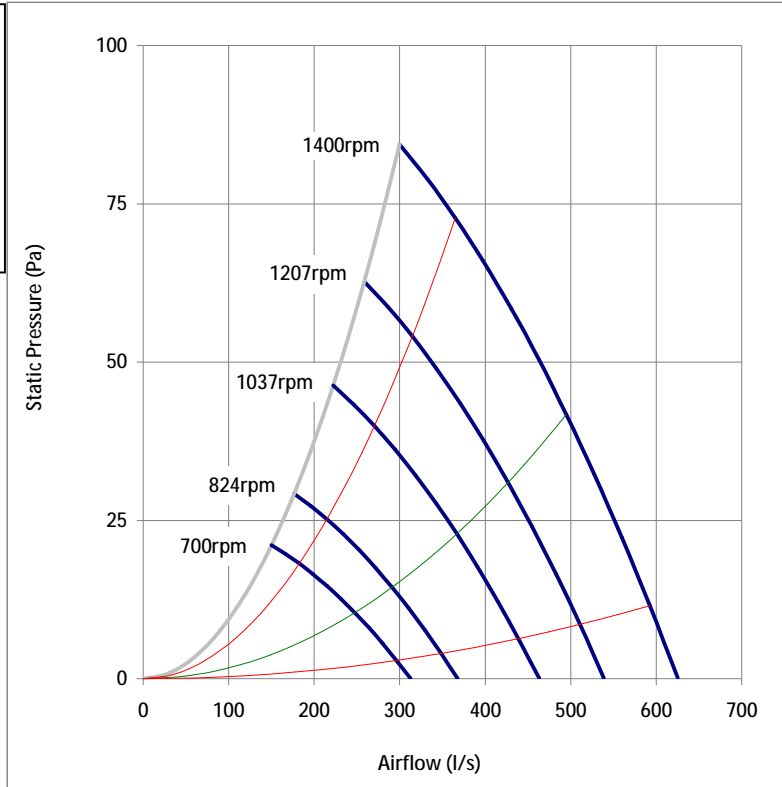
Size 350 mm
 Type Axial Arefoil
 Material Black Composite Material
 Motor finish Powder Coating RAL7032

Motor

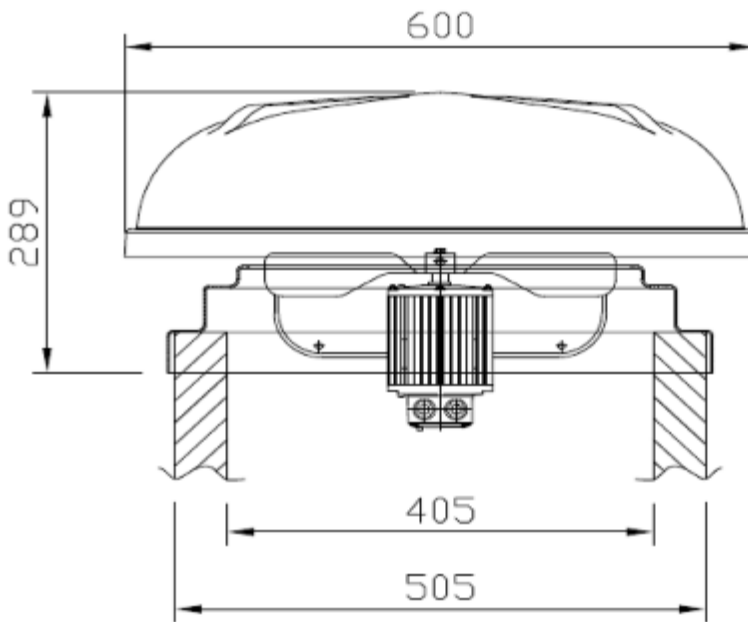
Type TEFC
 IP Rating 55
 Insulation Class 155
 Power 0.10 Kw
 Power Supply 230V/1PH/50Hz
 Speed 1400 RPM
 FLC 0.80 A
 Capacitor 5 µF
 Control RE1.5, 5 Step Controller
 Protection Thermal Contacts

Fan

Cowl Rovel UV Stabilised
 Weight 29
 Max. Temp 50 °C



Speed (rpm)	Peak Pressure (Pa)	Peak Power (kw)	Motor Running Voltage (V)	Sound Power Level SWL dB re 1pw								Sound Pressure Level dB at 3 meters
				63	125	250	500	1k	2k	4k	8k	
1400	84	0.10	230	63	65	65	65	57	55	49	43	45
1207	63	0.06	200	60	62	62	62	54	52	46	40	42
1037	46	0.04	170	56	58	58	58	50	48	42	36	38
824	29	0.02	130	51	53	53	53	45	43	37	31	33
700	21	0.01	110	48	50	50	50	42	40	34	28	30



Roof Axial Downflow Fan

DSPR-4541



Impeller

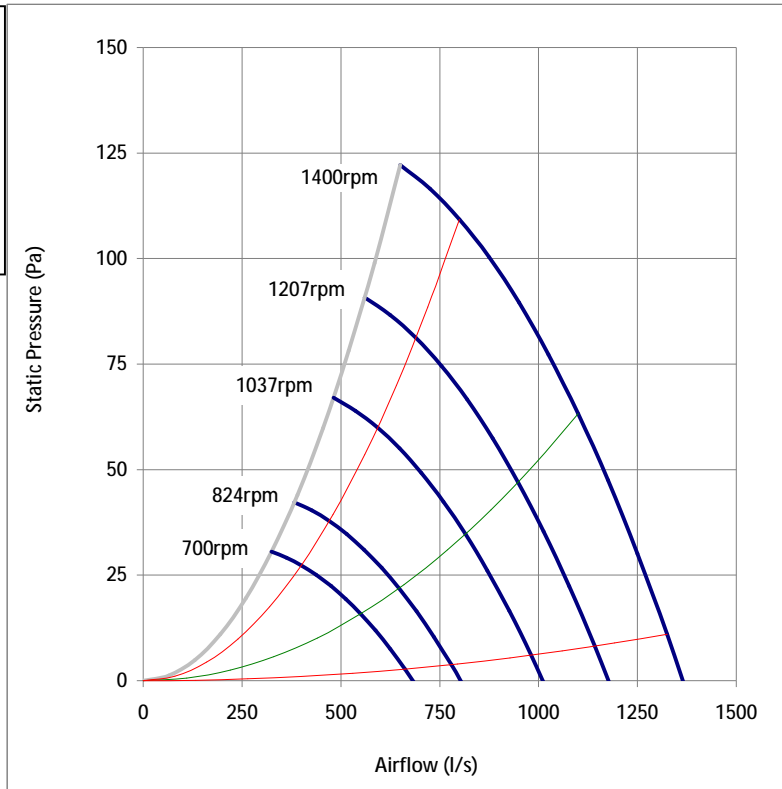
Size 450 mm
 Type Axial Arefoil
 Material Black Composite Material
 Motor finish Powder Coating RAL7032

Motor

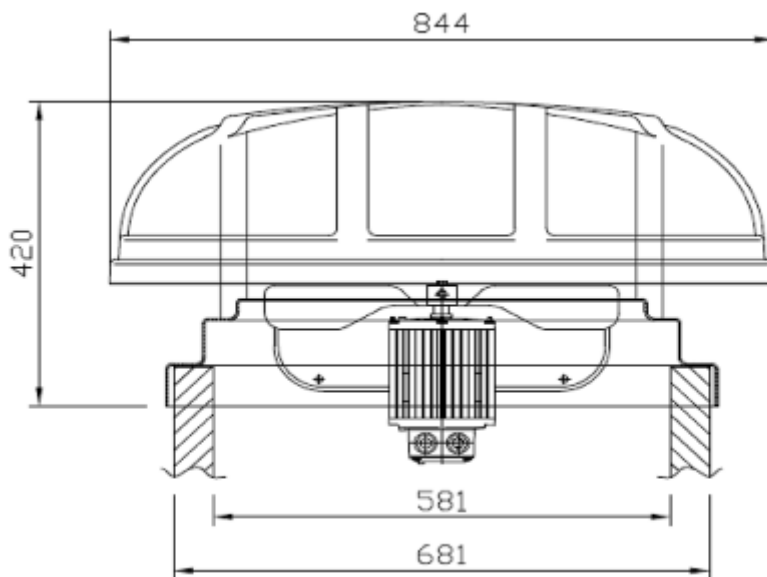
Type IE2 - TEFC
 IP Rating 55
 Insulation Class 155
 Power 0.31 Kw
 Power Supply 230V/1PH/50Hz
 Speed 1400 RPM
 FLC 2.20 A
 Capacitor -
 Control RE1.5, 5 Step Controller
 Protection Thermal Contacts

Fan

Cowl Rovel UV Stabilised
 Weight 25
 Max. Temp 50 °C



Speed (rpm)	Peak Pressure (Pa)	Peak Power (kw)	Motor Running Voltage (V)	Sound Power Level SWL dB re 1pw								Sound Pressure Level dB at 3 meters
				63	125	250	500	1k	2k	4k	8k	
1400	122	0.31	230	73	70	68	68	67	67	60	56	55
1207	91	0.20	200	70	67	65	65	64	64	57	53	52
1037	67	0.13	170	66	63	61	61	60	60	53	49	48
824	42	0.06	130	61	58	56	56	55	55	48	44	43
700	31	0.04	110	58	55	53	53	52	52	45	41	40



Roof Axial Downflow Fan

DSP-5041



Impeller

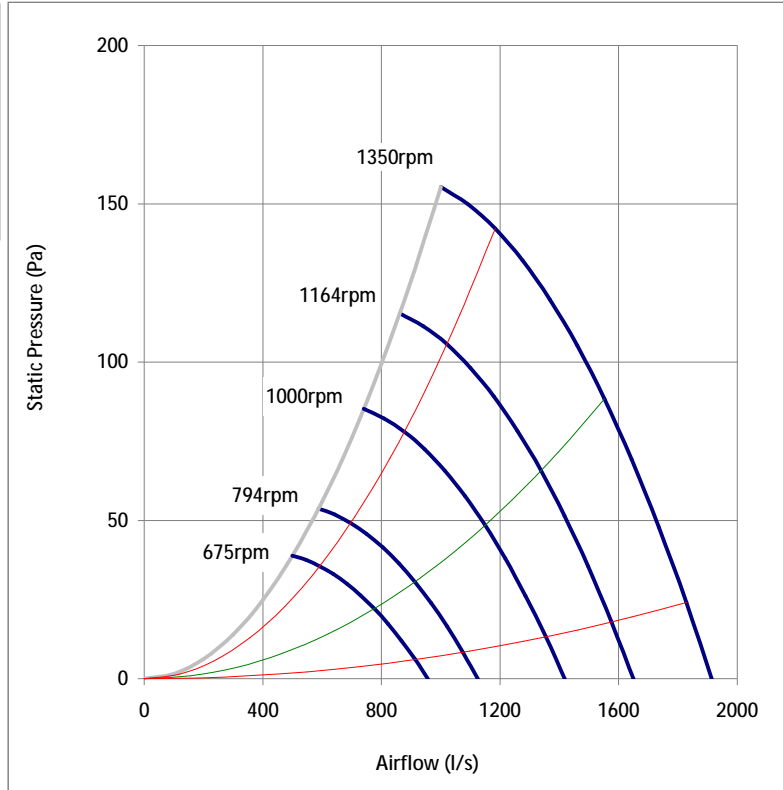
Size 500 mm
 Type Axial Arefoil
 Material Aluminium clad mild steel
 Motor finish Aluminium

Motor

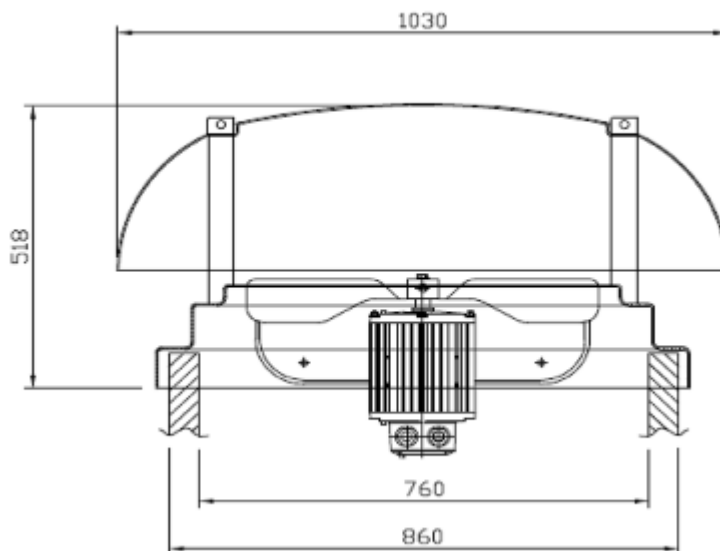
Type TEFC
 IP Rating 55
 Insulation Class 155
 Power 0.52 Kw
 Power Supply 230V/1PH/50Hz
 Speed 1350 RPM
 FLC 2.80 A
 Capacitor 15 µF
 Control RE3.5, 5 Step Controller
 Protection Thermal Contacts

Fan

Cowl Fibreglass UV Stabilised
 Weight 41 Kg
 Max. Temp 50 °C



Speed (rpm)	Peak Pressure (Pa)	Peak Power (kw)	Motor Running Voltage (V)	Sound Power Level SWL dB re 1pw								Sound Pressure Level dB at 3 meters
				63	125	250	500	1k	2k	4k	8k	
1350	155	0.52	230	79	81	81	79	77	76	73	67	62
1164	115	0.33	200	76	78	78	76	74	73	70	64	59
1000	85	0.21	170	72	74	74	72	70	69	66	60	55
794	54	0.11	130	67	69	69	67	65	64	61	55	50
675	39	0.07	110	64	66	66	64	62	61	58	52	47



Roof Axial Downflow Fan

DSP5061



Impeller

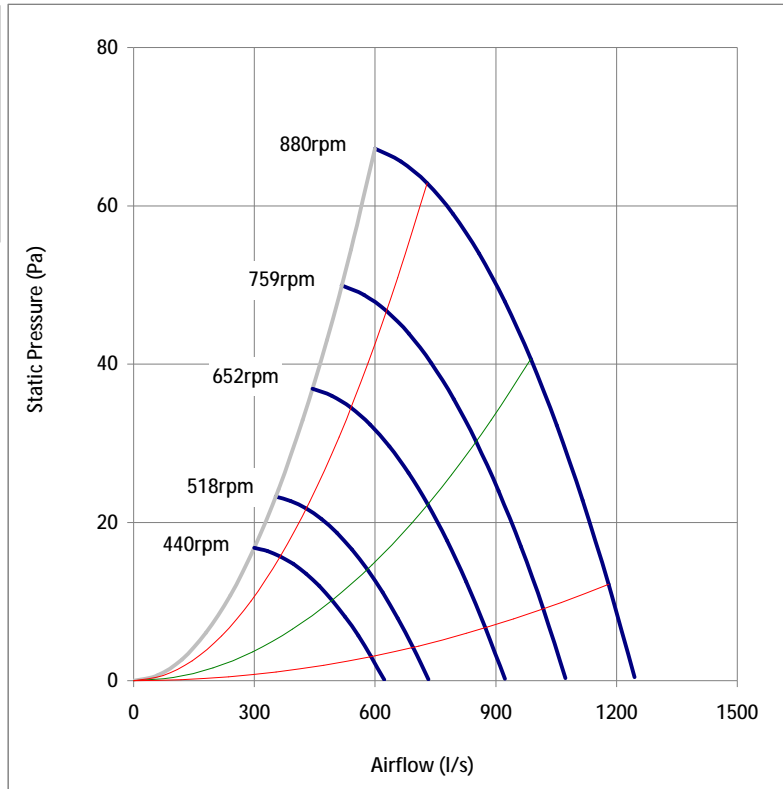
Size 500 mm
 Type Axial Arefoil
 Material Aluminium clad mild steel
 Motor finish Aluminium

Motor

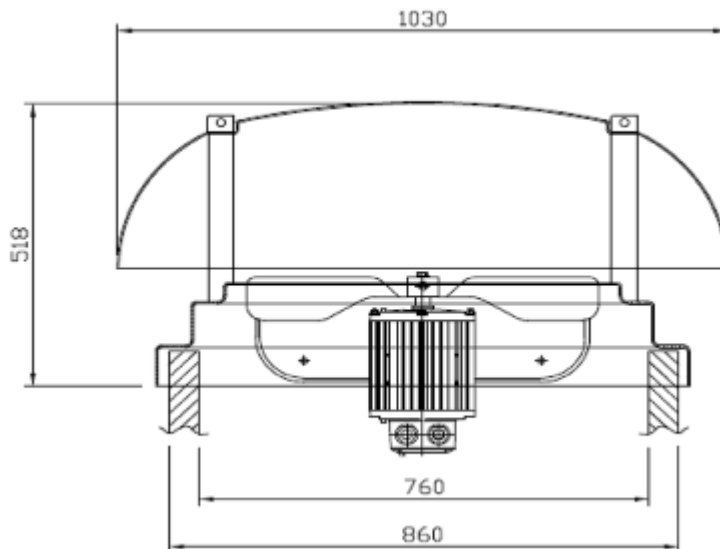
Type TEFC
 IP Rating 55
 Insulation Class 155
 Power 0.22 Kw
 Power Supply 230V/1PH/50Hz
 Speed 880 RPM
 FLC 1.80 A
 Capacitor 8 µF
 Control RE3.5, 5 Step Controller
 Protection Thermal Contacts

Fan

Cowl Fibreglass UV Stabilised
 Weight 41 Kg
 Max. Temp 50 °C



Speed (rpm)	Peak Pressure (Pa)	Peak Power (kw)	Motor Running Voltage (V)	Sound Power Level SWL dB re 1pw								Sound Pressure Level dB at 3 meters
				63	125	250	500	1k	2k	4k	8k	
880	67	0.22	230	69	71	71	69	67	66	63	57	52
759	50	0.14	200	66	68	68	66	64	63	60	54	49
652	37	0.09	170	62	64	64	62	60	59	56	50	45
518	23	0.04	130	57	59	59	57	55	54	51	45	40
440	17	0.03	110	54	56	56	54	52	51	48	42	37



Roof Axial Downflow Fan

DSPR-4561



Impeller

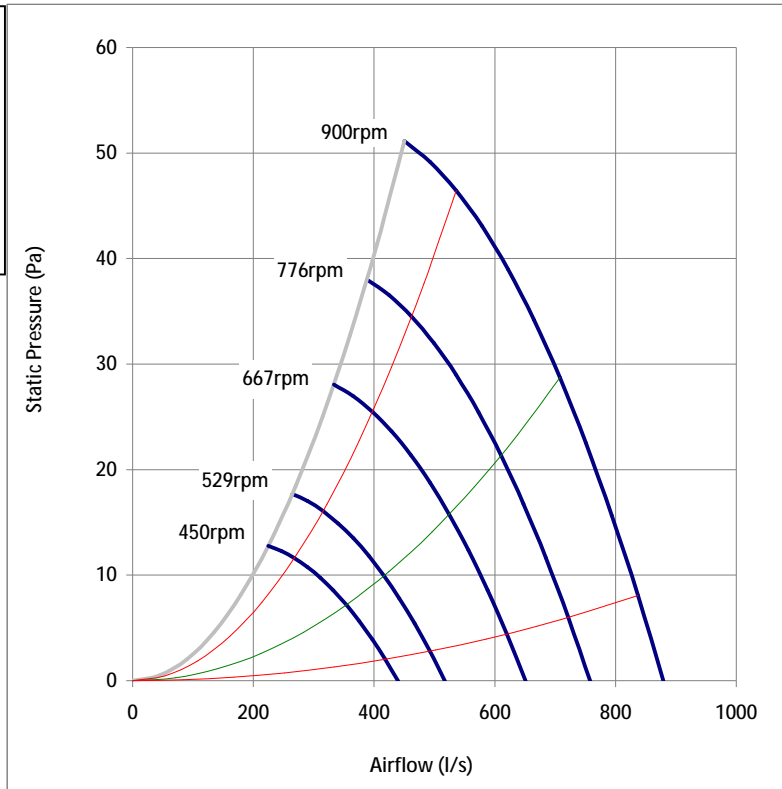
Size 450 mm
 Type Axial Arefoil
 Material Black Composite Material
 Motor finish Powder Coating RAL7032

Motor

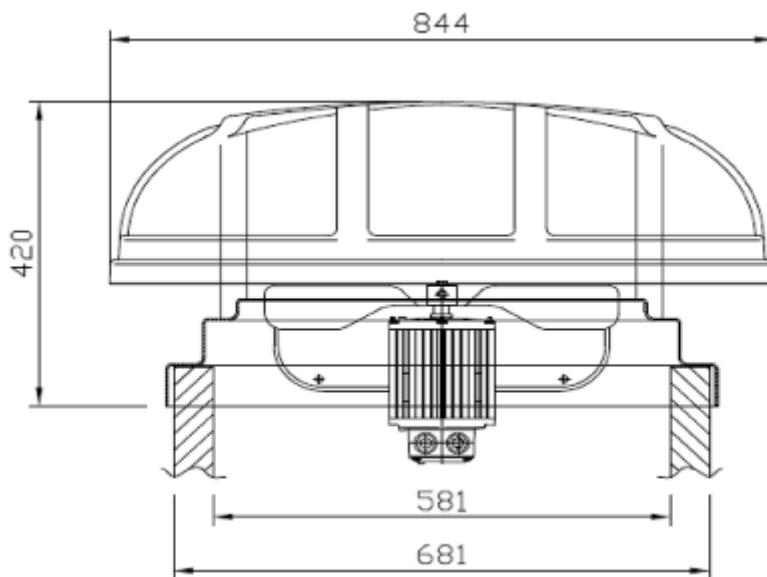
Type IE2 - TEFC
 IP Rating 55
 Insulation Class 155
 Power 0.08 Kw
 Power Supply 230V/1PH/50Hz
 Speed 900 RPM
 FLC 1.00 A
 Capacitor -
 Control RE1.5, 5 Step Controller
 Protection Thermal Contacts

Fan

Cowl Rovel UV Stabilised
 Weight 25
 Max. Temp 50 °C



Speed (rpm)	Peak Pressure (Pa)	Peak Power (kw)	Motor Running Voltage (V)	Sound Power Level SWL dB re 1pw								Sound Pressure Level dB at 3 meters
				63	125	250	500	1k	2k	4k	8k	
900	51	0.08	230	63	61	59	59	58	58	51	47	46
776	38	0.05	200	60	58	56	56	55	55	48	44	43
667	28	0.03	170	56	54	52	52	51	51	44	40	39
529	18	0.02	130	51	49	47	47	46	46	39	35	34
450	13	0.01	110	48	46	44	44	43	43	36	32	31



Roof Axial Downflow Fan

DSP-6343



Impeller

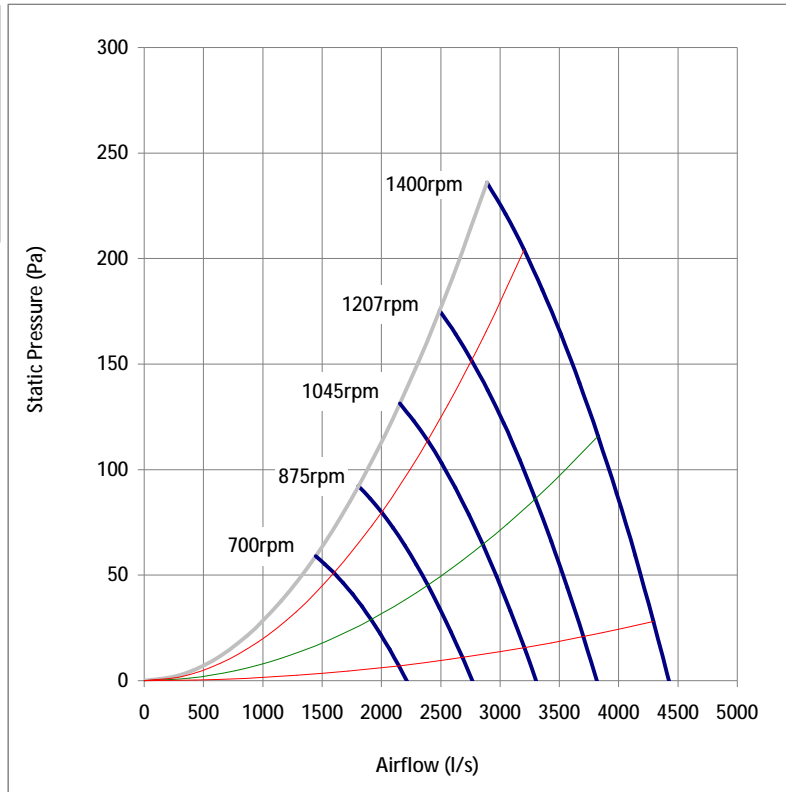
Size 630 mm
 Type Axial Arefoil
 Material Black Composite Material
 Motor finish Powder Coating RAL7032

Motor

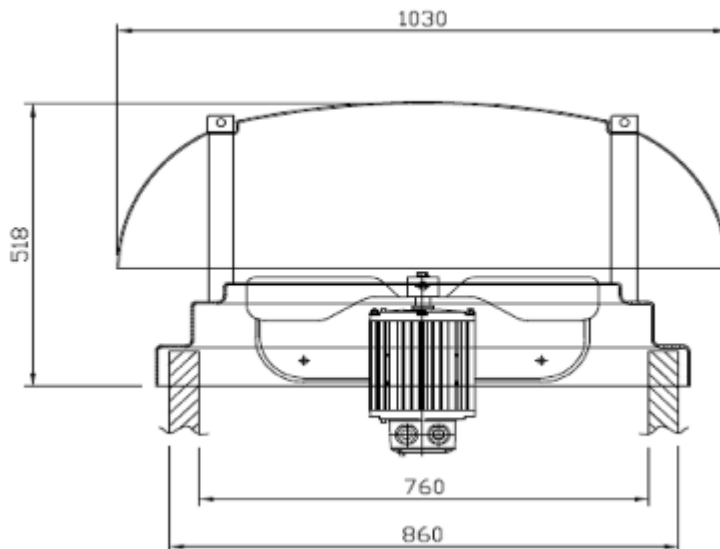
Type IE2 - TEFC
 IP Rating 55
 Insulation Class 155
 Power 1.55 Kw
 Power Supply 400V/3PH/50Hz
 Speed 1400 RPM
 FLC 3.50 A
 Capacitor -
 Control Variable Speed Drive
 Protection Thermal Contacts

Fan

Cowl Fibreglass UV Stabilised
 Weight 46 Kg
 Max. Temp 50 °C



Speed (rpm)	Peak Pressure (Pa)	Peak Power (kw)	Running Frequency	Sound Power Level SWL (dB re 1pw)								Sound Pressure Level (dB at 3 meters)
				63	125	250	500	1k	2k	4k	8k	
1400	236	1.55	50	83	85	82	78	75	72	68	63	63
1207	175	0.99	43	80	82	79	75	72	69	65	60	60
1045	131	0.64	37	77	79	76	72	69	66	62	57	57
875	92	0.38	31	73	75	72	68	65	62	58	53	53
700	59	0.19	25	68	70	67	63	60	57	53	48	48



Roof Axial Downflow Fan

DSP-6363



Impeller

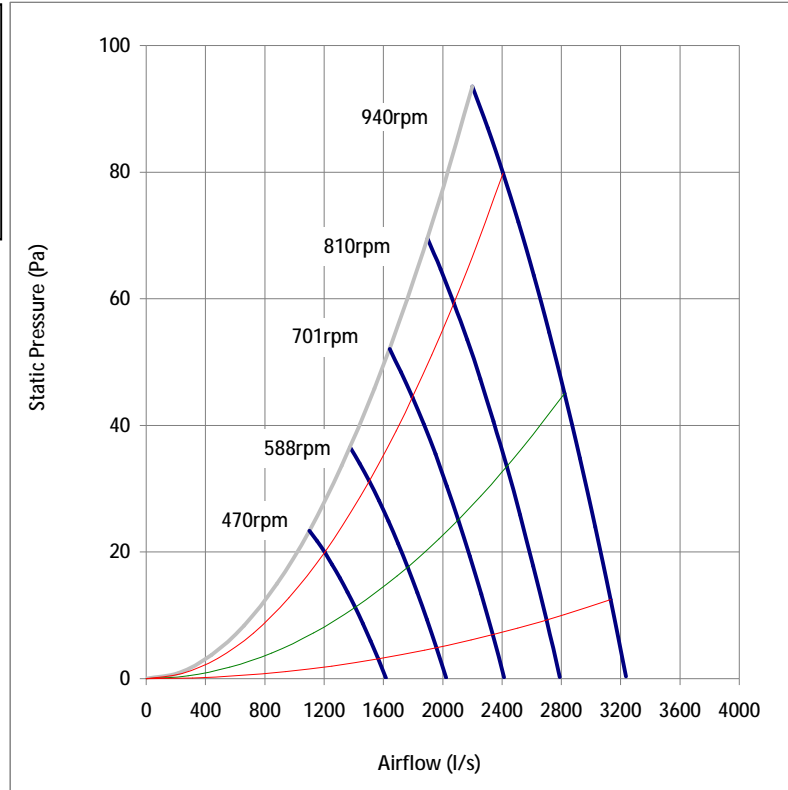
Size 630 mm
 Type Axial Arefoil
 Material Black Composite Material
 Motor finish Powder Coating RAL7032

Motor

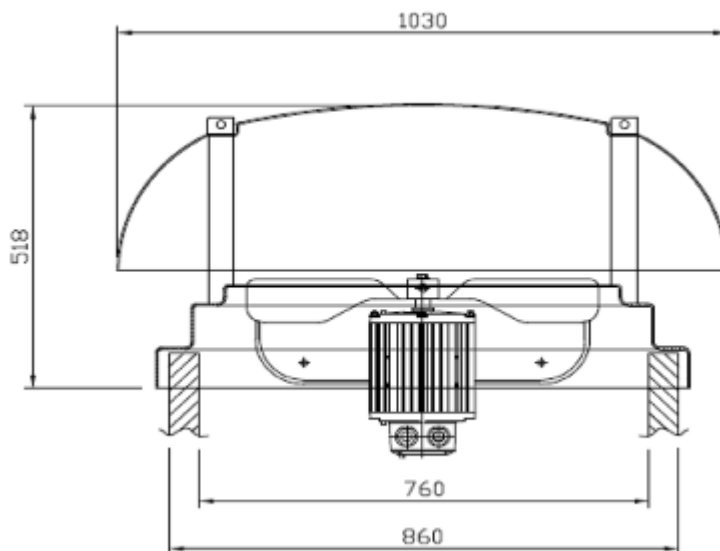
Type IE2 - TEFC
 IP Rating 55
 Insulation Class 155
 Power 0.75 Kw
 Power Supply 400V/3PH/50Hz
 Speed 940 RPM
 FLC 2.20 A
 Capacitor -
 Control Variable Speed Drive
 Protection Thermal Contacts

Fan

Cowl Fibreglass UV Stabilised
 Weight 41 Kg
 Max. Temp 50 °C



Speed (rpm)	Peak Pressure (Pa)	Peak Power (kw)	Running Frequency	Sound Power Level SWL (dB re 1pw)								Sound Pressure Level (dB at 3 meters)
				63	125	250	500	1k	2k	4k	8k	
940	94	0.75	50	72	74	72	67	64	60	57	53	52
810	69	0.48	43	69	71	69	64	61	57	54	50	49
701	52	0.31	37	66	68	66	61	58	54	51	47	46
588	37	0.18	31	62	64	62	57	54	50	47	43	42
470	23	0.09	25	57	59	57	52	49	45	42	38	37



Roof Axial Downflow Fan

DSP-7163



Impeller

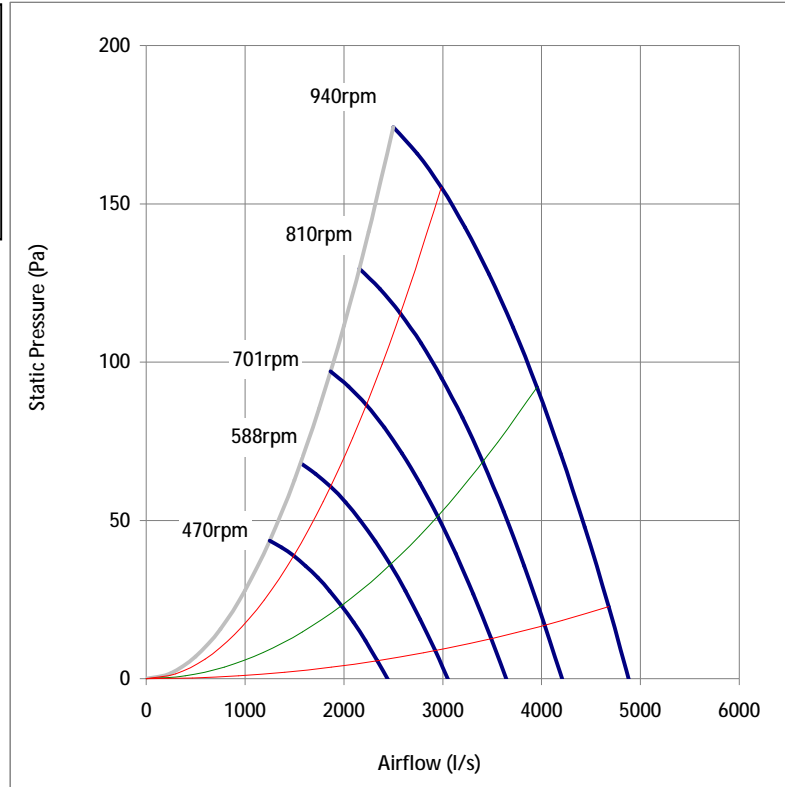
Size 710 mm
 Type Axial Arefoil
 Material Black Composite Material
 Motor finish Powder Coating RAL7032

Motor

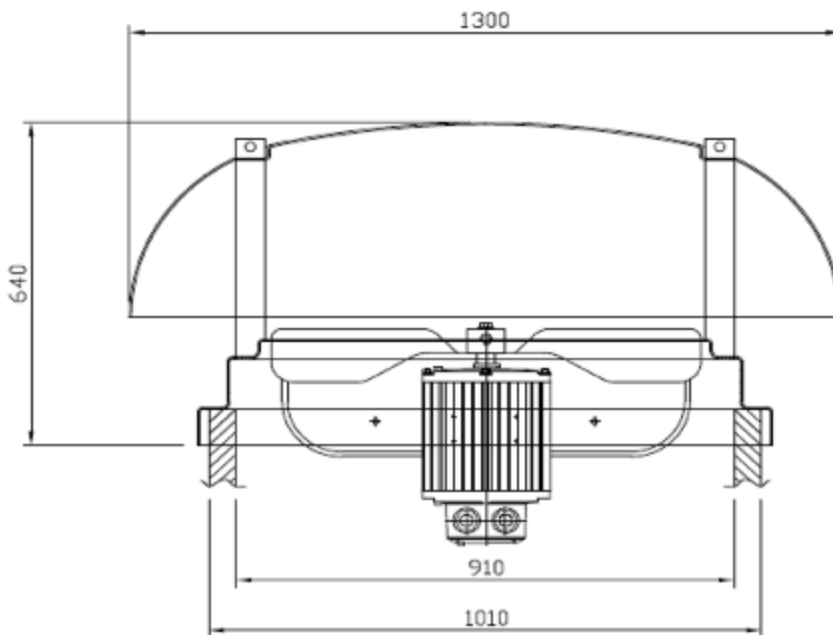
Type IE2 - TEFC
 IP Rating 55
 Insulation Class 155
 Power 1.10 Kw
 Power Supply 400V/3PH/50Hz
 Speed 940 RPM
 FLC 3.30 A
 Capacitor -
 Control Variable Speed Drive
 Protection Thermal Contacts

Fan

Cowl Fibreglass UV Stabilised
 Weight 52 Kg
 Max. Temp 50 °C



Speed (rpm)	Peak Pressure (Pa)	Peak Power (kw)	Running Frequency	Sound Power Level SWL dB re 1pw								Sound Pressure Level dB at 3 meters
				63	125	250	500	1k	2k	4k	8k	
940	174	1.10	50	75	77	76	72	70	67	62	59	56
810	129	0.70	43	72	74	73	69	67	64	59	56	53
701	97	0.46	37	69	71	70	66	64	61	56	53	50
588	68	0.27	31	65	67	66	62	60	57	52	49	46
470	44	0.14	25	60	62	61	57	55	52	47	44	41



Roof Axial Downflow Fan

DSP-8063



Impeller

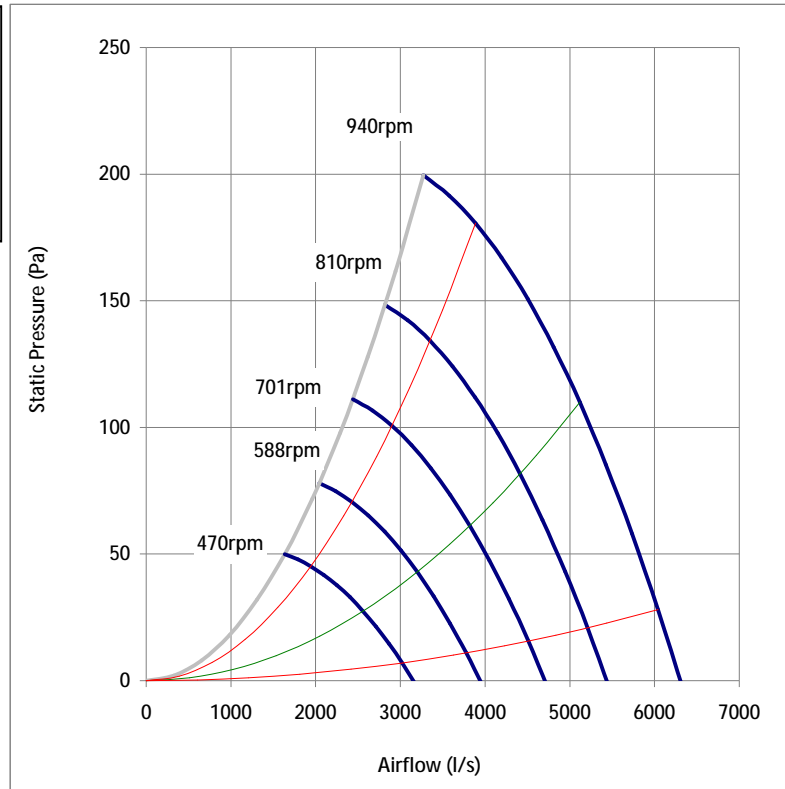
Size 800 mm
 Type Axial Arefoil
 Material Black Composite Material
 Motor finish Powder Coating RAL7032

Motor

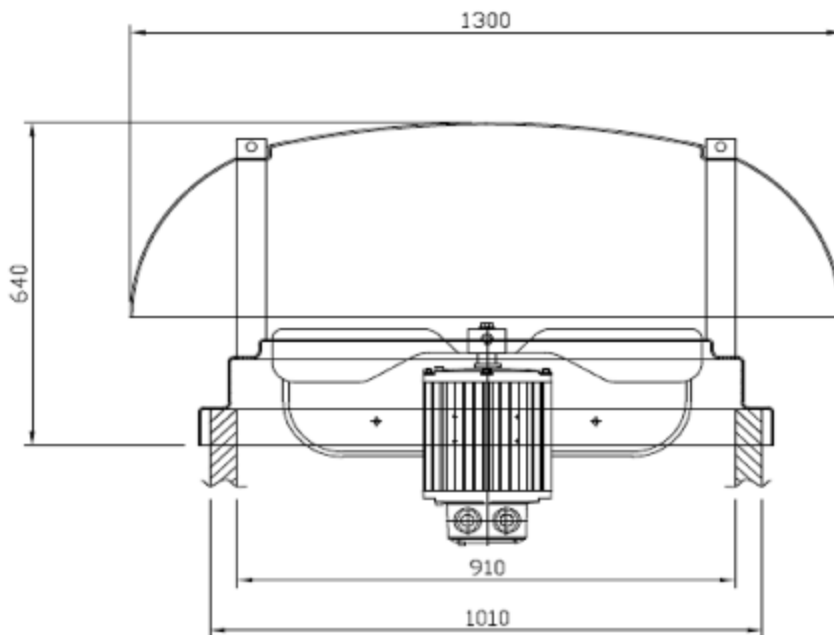
Type IE2 - TEFC
 IP Rating 55
 Insulation Class 155
 Power 1.50 Kw
 Power Supply 400V/3PH/50Hz
 Speed 940 RPM
 FLC 4.30 A
 Capacitor -
 Control Variable Speed Drive
 Protection Thermal Contacts

Fan

Cowl Fibreglass UV Stabilised
 Weight 60 Kg
 Max. Temp 50 °C



Speed (rpm)	Peak Pressure (Pa)	Peak Power (kw)	Running Frequency	Sound Power Level SWL (dB re 1pw)								Sound Pressure Level (dB at 3 meters)
				63	125	250	500	1k	2k	4k	8k	
940	200	1.50	50	76	78	80	78	74	71	67	62	58
810	148	0.96	43	73	75	77	75	71	68	64	59	55
701	111	0.62	37	70	72	74	72	68	65	61	56	52
588	78	0.37	31	66	68	70	68	64	61	57	52	48
470	50	0.19	25	61	63	65	63	59	56	52	47	43



Roof Axial Downflow Fan

DSP-8083



Impeller

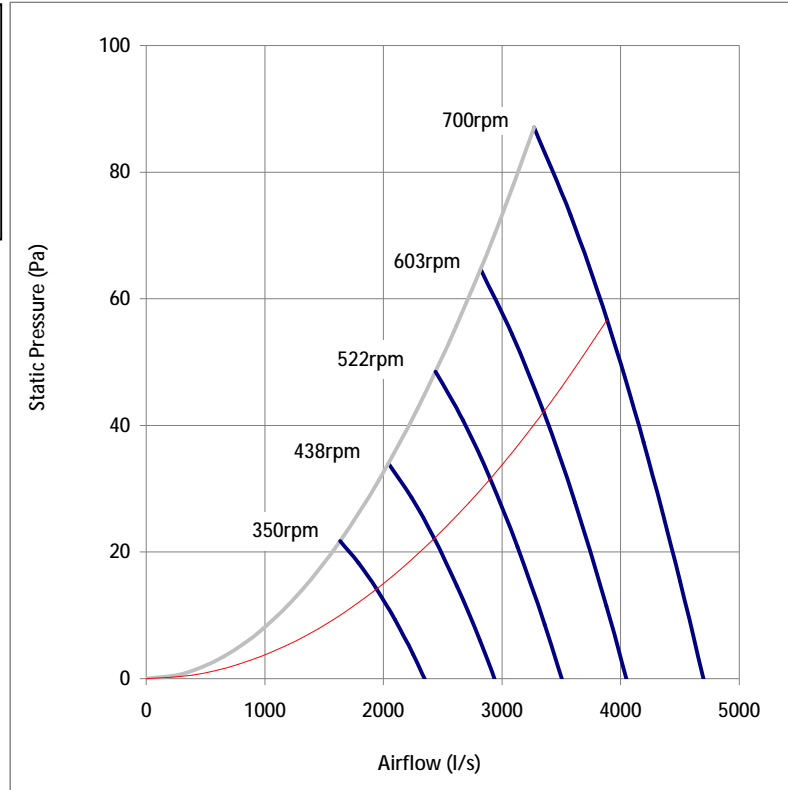
Size 800 mm
 Type Axial Arefoil
 Material Black Composite Material
 Motor finish Powder Coating RAL7032

Motor

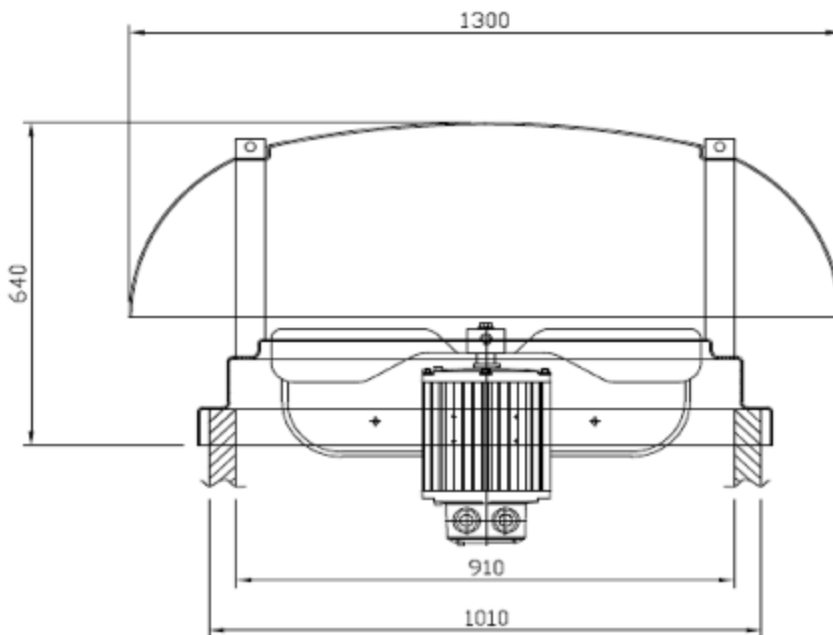
Type IE2 - TEFC
 IP Rating 55
 Insulation Class 155
 Power 0.75 Kw
 Power Supply 400V/3PH/50Hz
 Speed 700 RPM
 FLC 1.90 A
 Capacitor -
 Control Variable Speed Drive
 Protection Thermal Contacts

Fan

Cowl Fibreglass UV Stabilised
 Weight 60 Kg
 Max. Temp 50 °C



Speed (rpm)	Peak Pressure (Pa)	Peak Power (kw)	Running Frequency	Sound Power Level SWL (dB re 1pw)								Sound Pressure Level (dB at 3 meters)
				63	125	250	500	1k	2k	4k	8k	
700	87	0.75	50	70	72	74	72	68	65	61	56	52
603	65	0.48	43	67	69	71	69	65	62	58	53	49
522	48	0.31	37	64	66	68	66	62	59	55	50	46
438	34	0.18	31	60	62	64	62	58	55	51	46	42
350	22	0.09	25	55	57	59	57	53	50	46	41	37



Roof Axial Downflow Fan

DSP-10063



Impeller

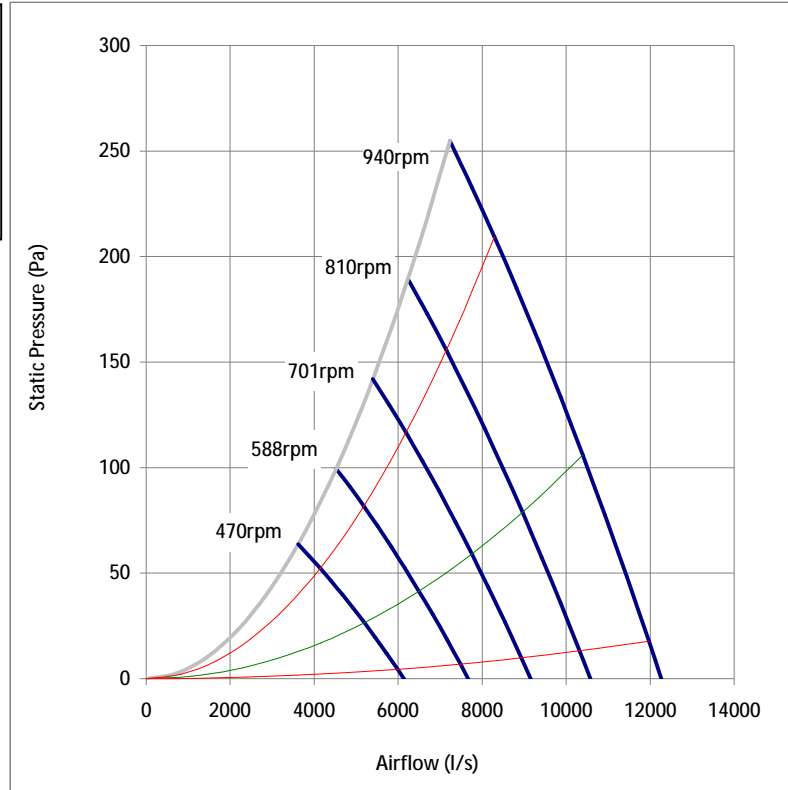
Size 1000 mm
 Type Axial Arefoil
 Material Black Composite Material
 Motor finish Powder Coating RAL7032

Motor

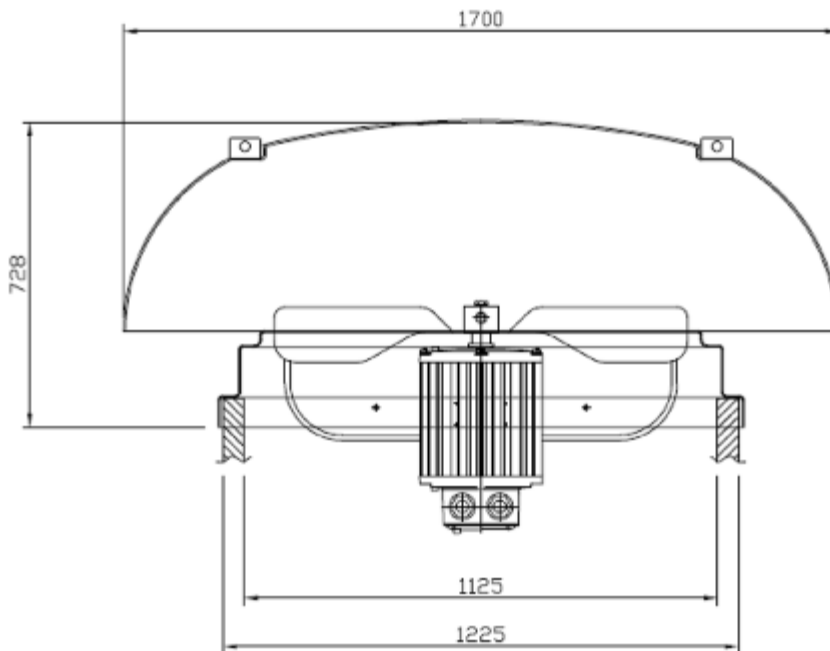
Type IE2 - TEFC
 IP Rating 55
 Insulation Class 155
 Power 4.00 Kw
 Power Supply 400V/3PH/50Hz
 Speed 940 RPM
 FLC 9.00 A
 Capacitor -
 Control Variable Speed Drive
 Protection Thermal Contacts

Fan

Cowl Fibreglass UV Stabilised
 Weight 94 Kg
 Max. Temp 50 °C



Speed (rpm)	Peak Pressure (Pa)	Peak Power (kw)	Running Frequency	Sound Power Level SWL dB re 1pw								Sound Pressure Level dB at 3 meters
				63	125	250	500	1k	2k	4k	8k	
940	255	4.00	50	88	88	86	85	85	82	78	74	68
810	189	2.56	43	85	85	83	82	82	79	75	71	65
701	142	1.66	37	82	82	80	79	79	76	72	68	62
588	100	0.98	31	78	78	76	75	75	72	68	64	58
470	64	0.50	25	73	73	71	70	70	67	63	59	53



Roof Axial Downflow Fan

DSP-10063



Impeller

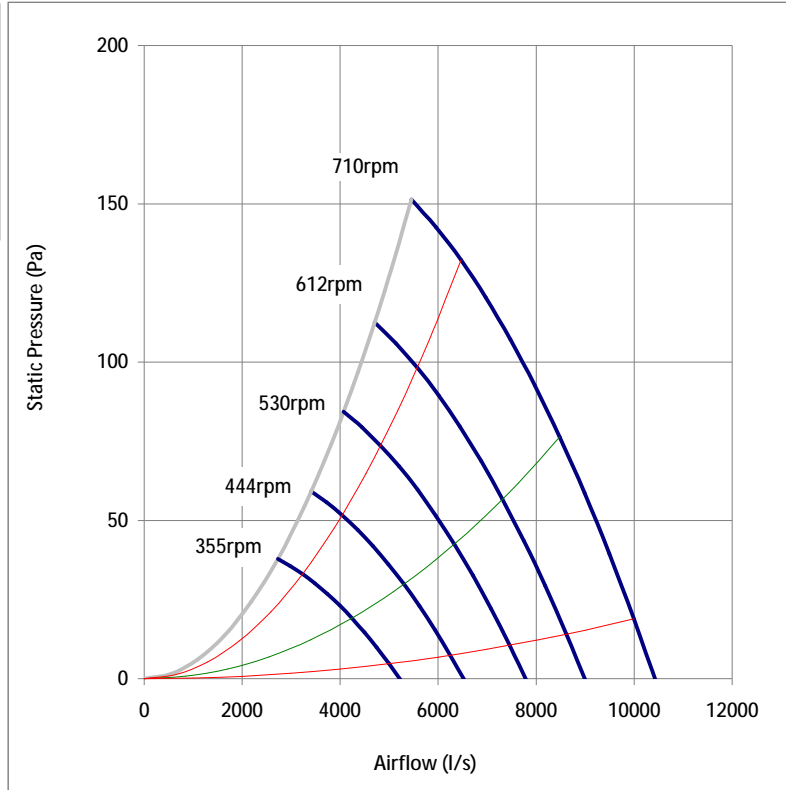
Size 1000 mm
 Type Axial Arefoil
 Material Black Composite Material
 Motor finish Powder Coating RAL7032

Motor

Type IE2 - TEFC
 IP Rating 55
 Insulation Class 155
 Power 2.20 Kw
 Power Supply 400V/3PH/50Hz
 Speed 710 RPM
 FLC 5.90 A
 Capacitor -
 Control Variable Speed Drive
 Protection Thermal Contacts

Fan

Cowl Fibreglass UV Stabilised
 Weight 94 Kg
 Max. Temp 50 °C



Speed (rpm)	Peak Pressure (Pa)	Peak Power (kw)	Running Frequency	Sound Power Level SWL dB re 1pw								Sound Pressure Level dB at 3 meters
				63	125	250	500	1k	2k	4k	8k	
710	151	2.20	50	83	83	81	80	80	76	72	67	63
612	113	1.41	43	80	80	78	77	77	73	69	64	60
530	84	0.91	37	77	77	75	74	74	70	66	61	57
444	59	0.54	31	73	73	71	70	70	66	62	57	53
355	38	0.28	25	68	68	66	65	65	61	57	52	48

