

# *DVCG*

- ROOF VERTICAL DISCHARGE FAN
  - With External Rotor
  - Metal construction
  - For kitchen extract

## SPECIFICATION

---

### Sizes

350, 400, 450, 500, 560, 630mm diameter

### Fan Performance

The fan is of low noise and high static efficiency design. The impeller is designed to give excellent performance characteristic with high static pressure development with out stall

### Impellers

Ziehl-Abegg external rotor low noise high efficiency centrifugal fan with profiled blades. The impellers are manufactured from aluminium material and balanced according to ISO1940.

### MOTORS

Ziehl-Abegg asynchronous external rotor motors. Motor enclosure to feature IP54 protection . Motor winding insulation are to incorporate thermal class 155 as standard. Motor bearings are to be of maintenance free ball bearing design. Auto-reset thermal contacts are provided as standard.

### Casing

The windband and base of the fans are of galvanised steel, suitable for kitchen extract application



Ziehl-Abegg RH-M external rotor

# Vertical Discharge Metal Centrifugal Fan

DVCG3541



### Impeller

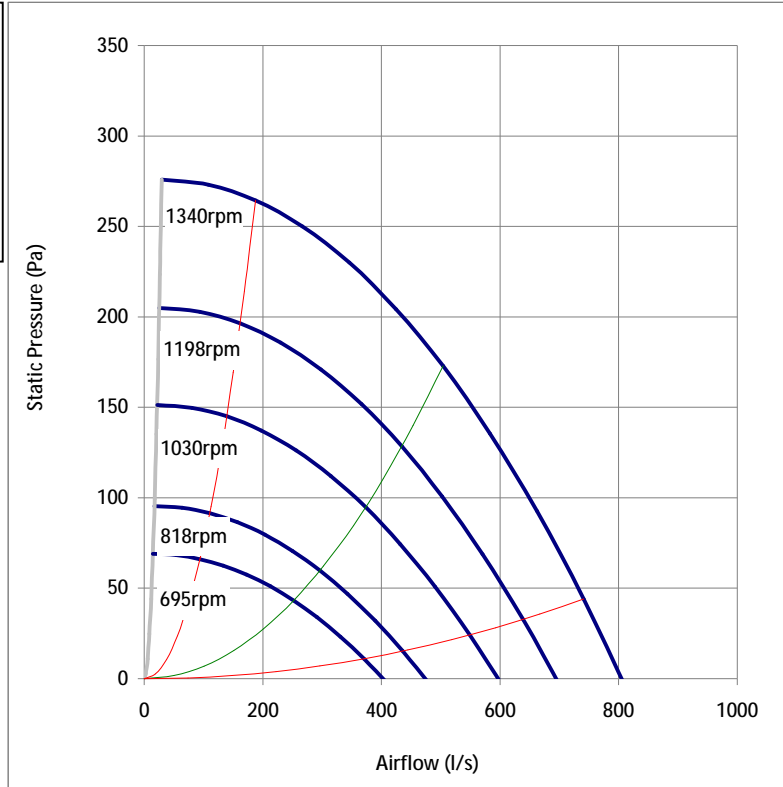
Size 350 mm  
 Type Backward Arefoil Curve  
 Material Aluminium  
 Motor finish Powder Coating RAL7032

### Motor

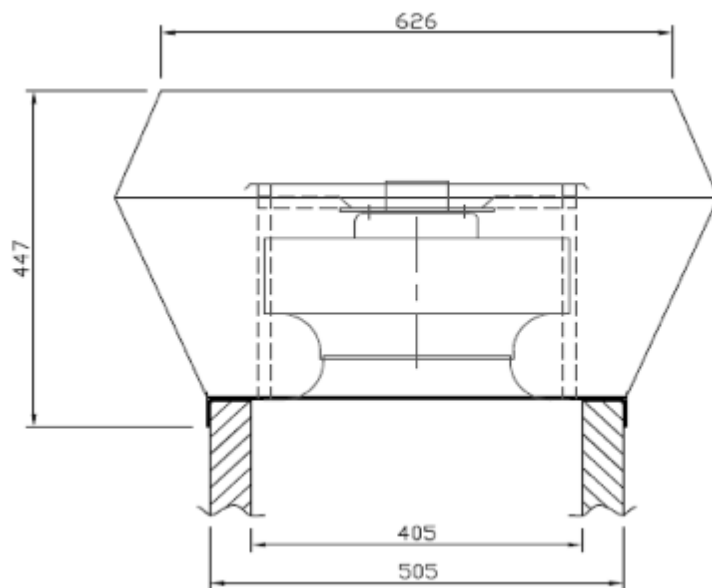
Type External Rotor  
 IP Rating 54  
 Insulation Class 155  
 Power 0.27 Kw  
 Power Supply 230V/1PH/50Hz  
 Speed 1390 RPM  
 FLC 1.3 A  
 Capacitor 6 µF  
 Control RE1.5, 5 Step Controller  
 Protection Thermal Contacts

### Fan

Case Galvanise Steel  
 Weight 35 Kg  
 Max. Temp 50 °C



Speed (rpm)	Peak Pressure (Pa)	Peak Power (kw)	Motor Running Voltage (V)	Sound Power Level SWL dB re 1pw								Sound Pressure Level dB at 3 meters
				63	125	250	500	1k	2k	4k	8k	
1390	276	0.27	230	66	70	62	59	56	51	53	51	41
1198	205	0.17	200	63	67	59	56	53	48	50	48	38
1030	151	0.11	170	59	63	55	52	49	44	46	44	34
818	95	0.05	130	54	58	50	47	44	39	41	39	29
695	69	0.03	110	51	55	47	44	41	36	38	36	26



# Vertical Discharge Metal Centrifugal Fan

DVCG-3543



### Impeller

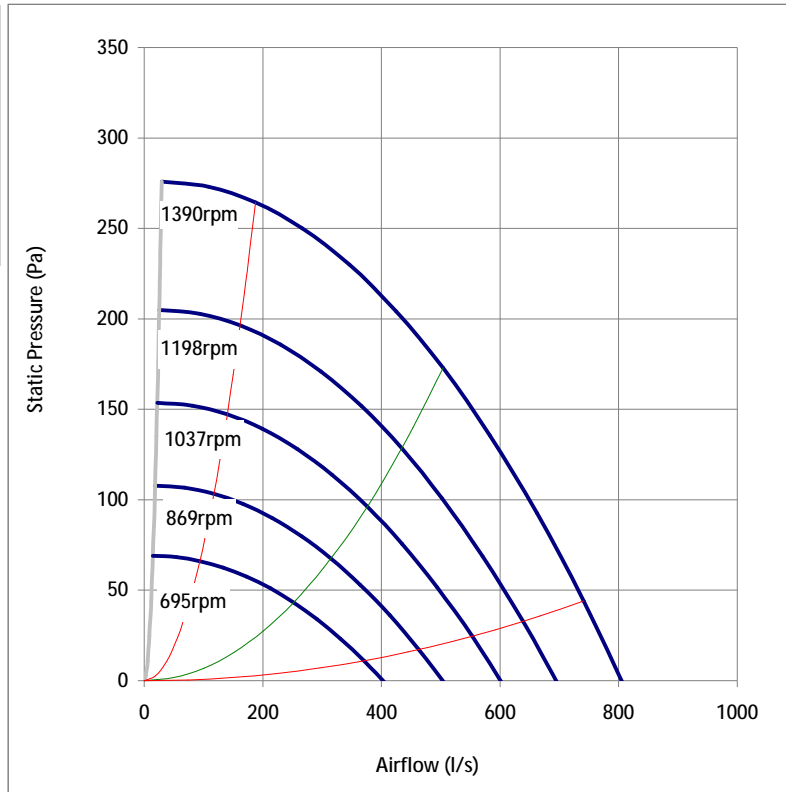
Size 350 mm  
 Type Backward Arefoil Curve  
 Material Aluminium  
 Motor finish Powder Coating RAL7032

### Motor

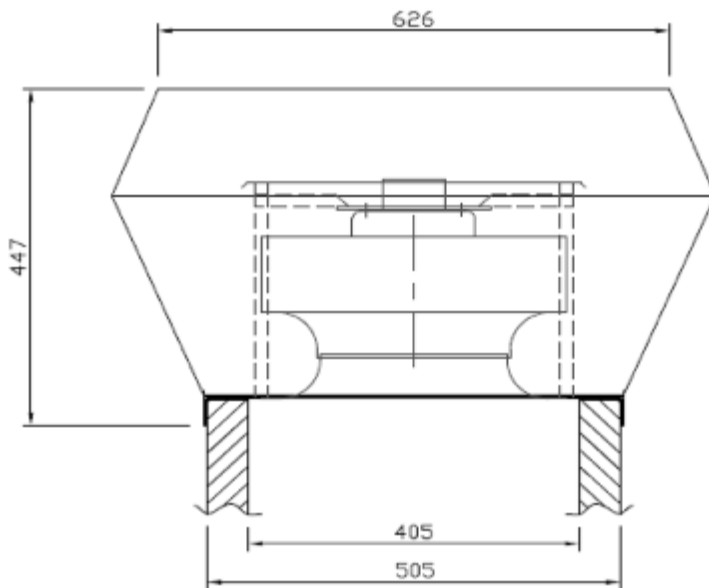
Type External Rotor  
 IP Rating 54  
 Insulation Class 155  
 Power 0.24 Kw  
 Power Supply 400V/3PH/50Hz  
 Speed 1390 RPM  
 FLC 0.47 A  
 Capacitor -  
 Control Variable Frequency Drive  
 Protection Thermal Contacts

### Fan

Case Galvanise Steel  
 Weight 35 Kg  
 Max. Temp 50 °C



Speed (rpm)	Peak Pressure (Pa)	Peak Power (kw)	Running Frequency	Sound Power Level SWL dB re 1pw								Sound Pressure Level dB at 3 meters
				63	125	250	500	1k	2k	4k	8k	
1390	276	0.24	50	66	70	62	59	56	51	53	51	41
1198	205	0.15	43	63	67	59	56	53	48	50	48	38
1037	154	0.10	37	60	64	56	53	50	45	47	45	35
869	108	0.06	31	56	60	52	49	46	41	43	41	31
695	69	0.03	25	51	55	47	44	41	36	38	36	26



# Vertical Discharge Metal Centrifugal Fan

DVCG-4041



**Impeller**

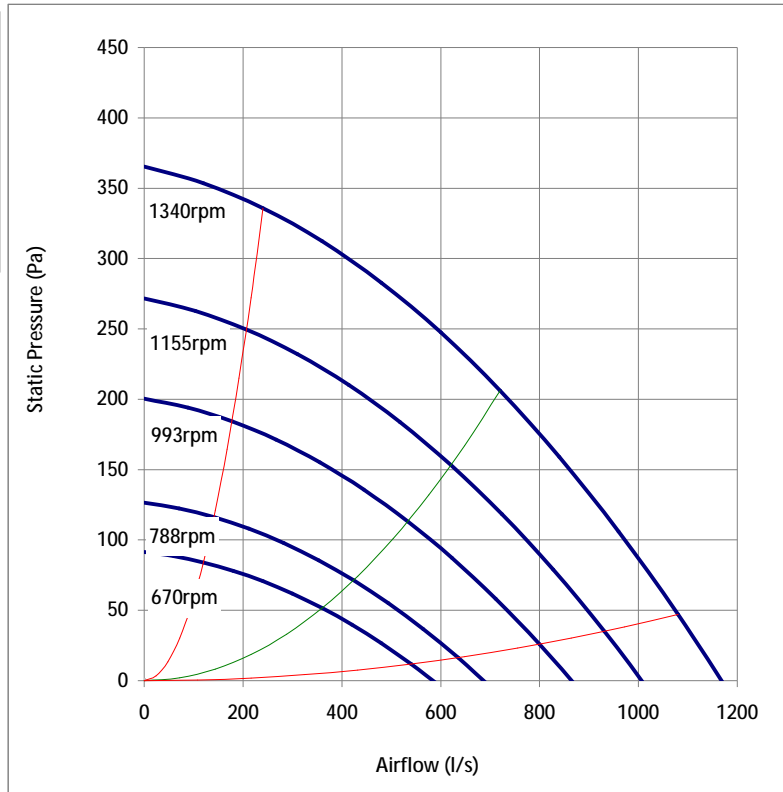
Size 400 mm  
 Type Backward Arefoil Curve  
 Material Aluminium  
 Motor finish Powder Coating RAL7032

**Motor**

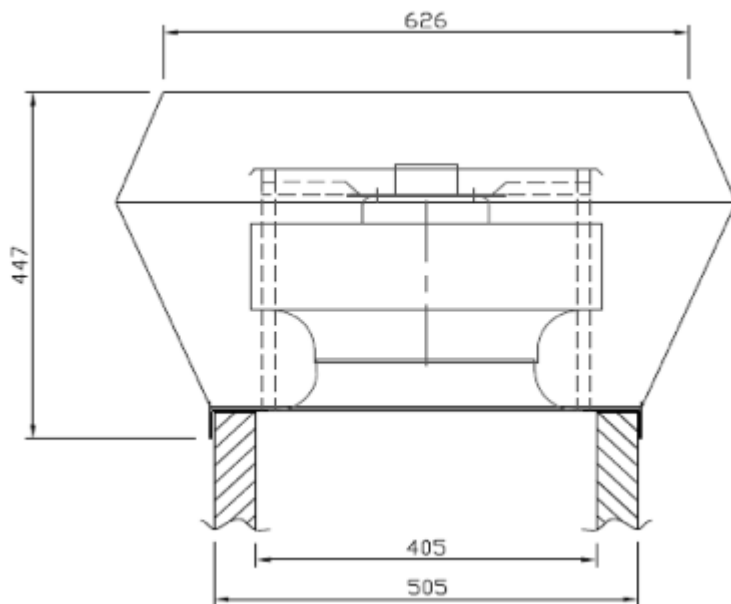
Type External Rotor  
 IP Rating 54  
 Insulation Class 155  
 Power 0.49 Kw  
 Power Supply 230V/1PH/50Hz  
 Speed 1340 RPM  
 FLC 2.5 A  
 Capacitor 12 µF  
 Control RE3.5, 5 Step Controller  
 Protection Thermal Contacts

**Fan**

Case Galvanise Steel  
 Weight 45 Kg  
 Max. Temp 50 °C



Speed (rpm)	Peak Pressure (Pa)	Peak Power (kw)	Motor Running Voltage (V)	Sound Power Level SWL dB re 1pw								Sound Pressure Level dB at 3 meters
				63	125	250	500	1k	2k	4k	8k	
1340	365	0.49	230	63	68	63	62	55	52	48	53	42
1155	272	0.31	200	60	65	60	59	52	49	45	50	39
993	200	0.20	170	56	61	56	55	48	45	41	46	35
788	126	0.10	130	51	56	51	50	43	40	36	41	30
670	91	0.06	110	48	53	48	47	40	37	33	38	27



# Vertical Discharge Metal Centrifugal Fan

DVCG-4043



**Impeller**

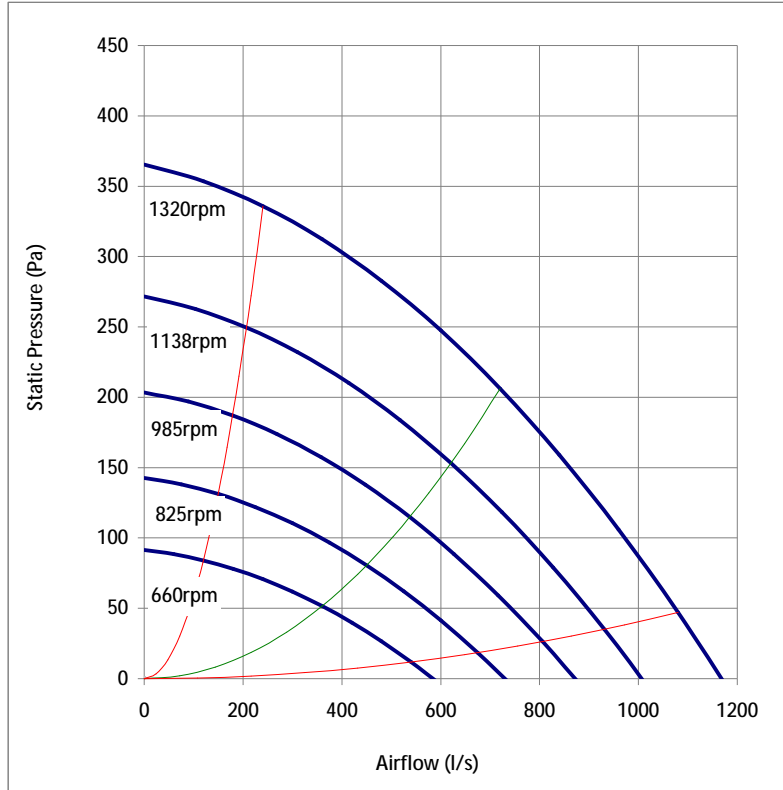
Size 400 mm  
 Type Backward Arefoil Curve  
 Material Black Composite Material  
 Motor finish Powder Coating RAL7032

**Motor**

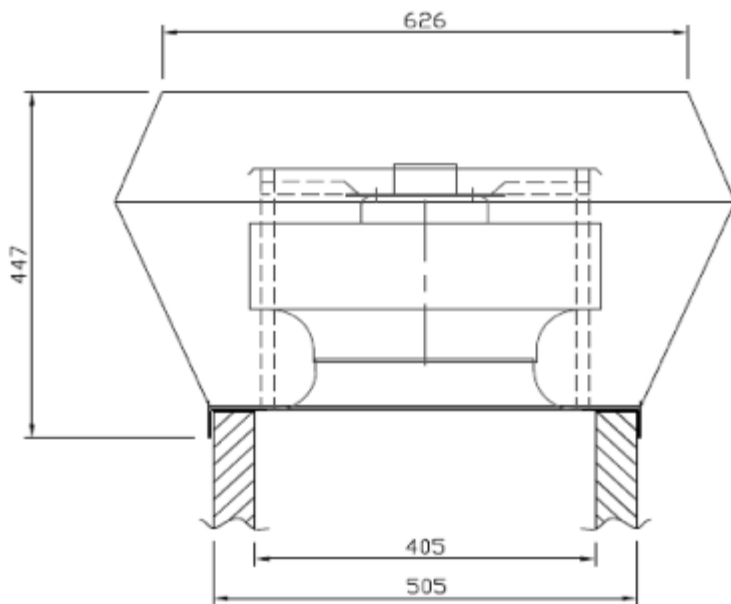
Type External Rotor  
 IP Rating 54  
 Insulation Class 155  
 Power 0.44 Kw  
 Power Supply 400V/3PH/50Hz  
 Speed 1320 RPM  
 FLC 2.5 A  
 Capacitor -  
 Control Variable Frequency Drive  
 Protection Thermal Contacts

**Fan**

Case Galvanise Steel  
 Weight 45 Kg  
 Max. Temp 50 °C



Speed (rpm)	Peak Pressure (Pa)	Peak Power (kw)	Running Frequency	Sound Power Level SWL dB re 1pw								Sound Pressure Level dB at 3 meters
				63	125	250	500	1k	2k	4k	8k	
1320	365	0.44	50	63	68	63	62	55	52	48	53	42
1138	272	0.28	43	60	65	60	59	52	49	45	50	39
985	203	0.18	37	57	62	57	56	49	46	42	47	36
825	143	0.11	31	53	58	53	52	45	42	38	43	32
660	91	0.06	25	48	53	48	47	40	37	33	38	27



# Vertical Discharge Metal Centrifugal Fan

DVCG-4541



### Impeller

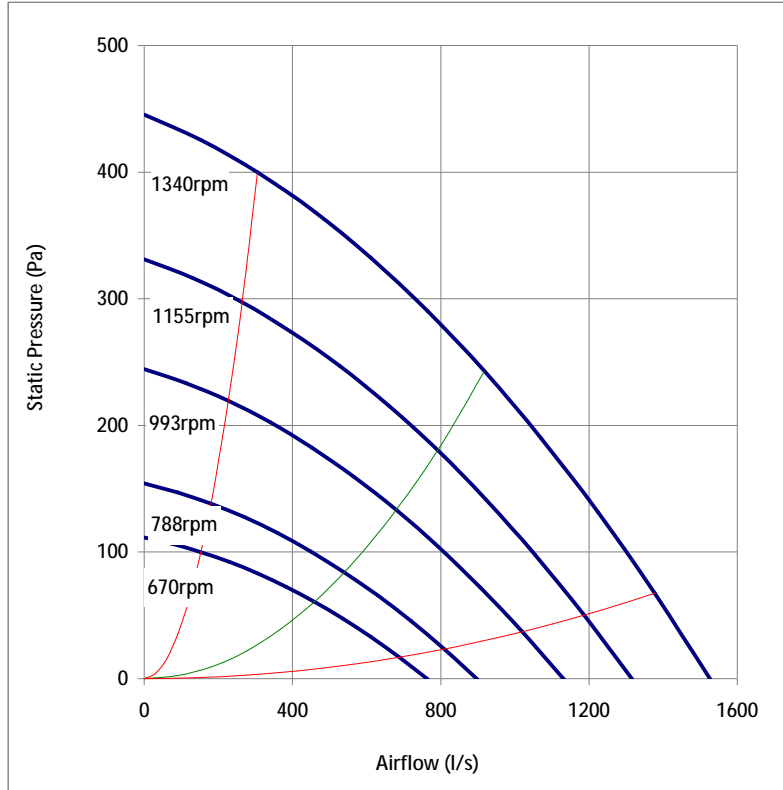
Size 450 mm  
 Type Backward Arefoil Curve  
 Material Aluminium  
 Motor finish Powder Coating RAL7032

### Motor

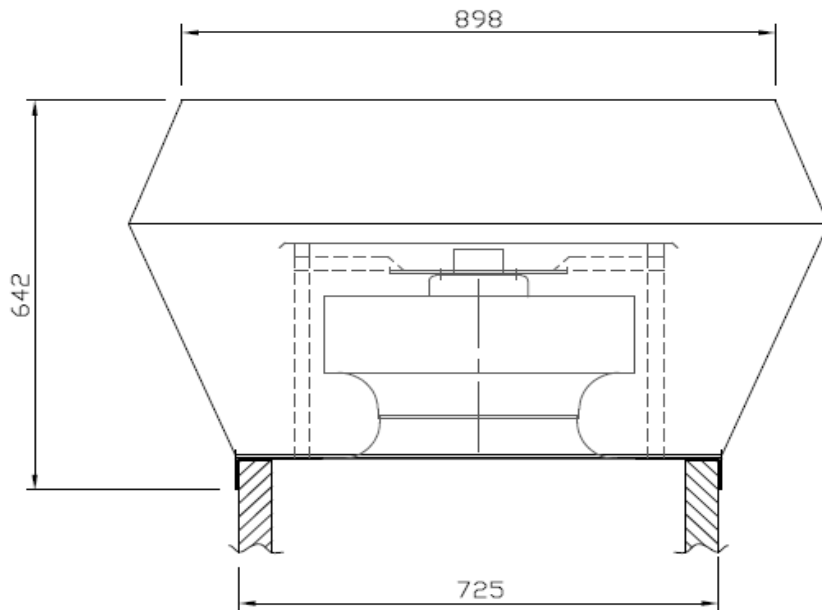
Type External Rotor  
 IP Rating 54  
 Insulation Class 155  
 Power 0.77 Kw  
 Power Supply 230V/1PH/50Hz  
 Speed 1340 RPM  
 FLC 3.60 A  
 Capacitor 20 µF  
 Control RE7.5, 5 Step Controller  
 Protection Thermal Contacts

### Fan

Case Galvanise Steel  
 Weight 57 Kg  
 Max. Temp 50 °C



Speed (rpm)	Peak Pressure (Pa)	Peak Power (kw)	Motor Running Voltage (V)	Sound Power Level SWL dB re 1pw								Sound Pressure Level dB at 3 meters
				63	125	250	500	1k	2k	4k	8k	
1340	446	0.77	230	68	71	71	64	57	53	49	51	48
1155	331	0.49	200	65	68	68	61	54	50	46	48	45
993	244	0.31	170	61	64	64	57	50	46	42	44	41
788	154	0.16	130	56	59	59	52	45	41	37	39	36
670	111	0.10	110	53	56	56	49	42	38	34	36	33



# Vertical Discharge Metal Centrifugal Fan

DVCG-4543



**Impeller**

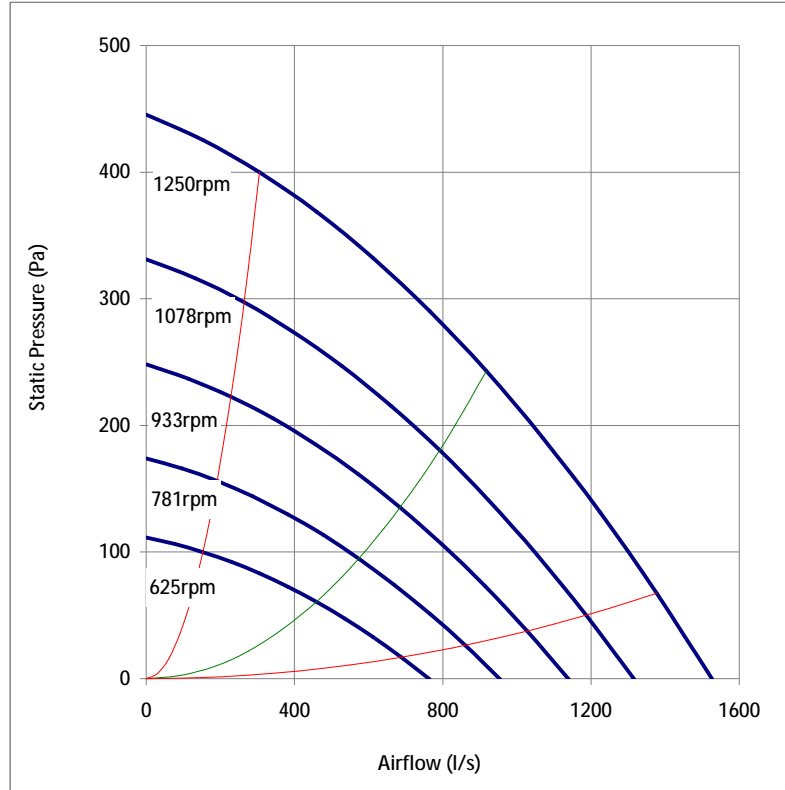
Size 450 mm  
 Type Backward Arefoil Curve  
 Material Aluminium  
 Motor finish Powder Coating RAL7032

**Motor**

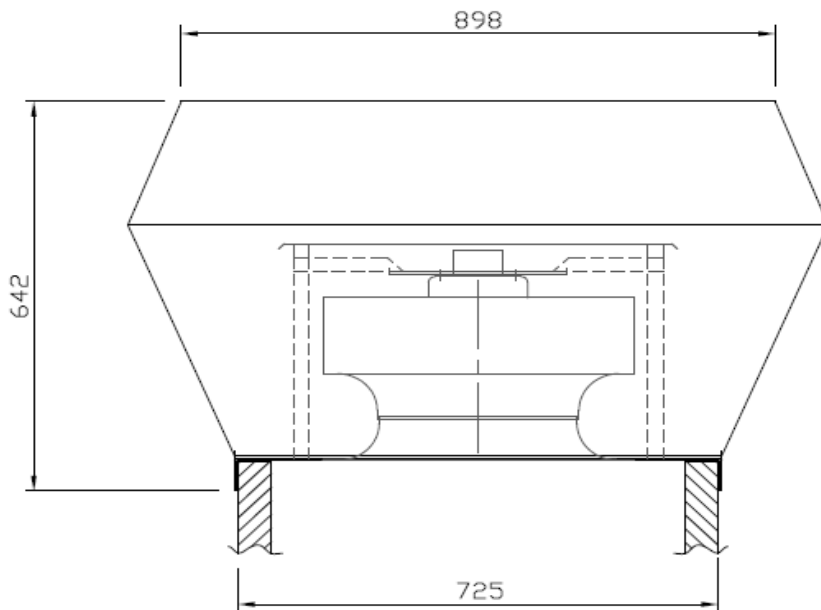
Type External Rotor  
 IP Rating 54  
 Insulation Class 155  
 Power 0.65 Kw  
 Power Supply 400V/3PH/50Hz  
 Speed 1250 RPM  
 FLC 1.30 A  
 Capacitor -  
 Control Variable Speed Drive  
 Protection Thermal Contacts

**Fan**

Case Galvanise Steel  
 Weight 57 Kg  
 Max. Temp 50 °C



Speed (rpm)	Peak Pressure (Pa)	Peak Power (kw)	Running Frequency	Sound Power Level SWL dB re 1pw								Sound Pressure Level dB at 3 meters
				63	125	250	500	1k	2k	4k	8k	
1250	446	0.65	50	68	71	71	64	57	53	49	51	48
1078	331	0.42	43	65	68	68	61	54	50	46	48	45
933	248	0.27	37	62	65	65	58	51	47	43	45	42
781	174	0.16	31	58	61	61	54	47	43	39	41	38
625	111	0.08	25	53	56	56	49	42	38	34	36	33





# Vertical Discharge Metal Centrifugal Fan

DVCG-5041



### Impeller

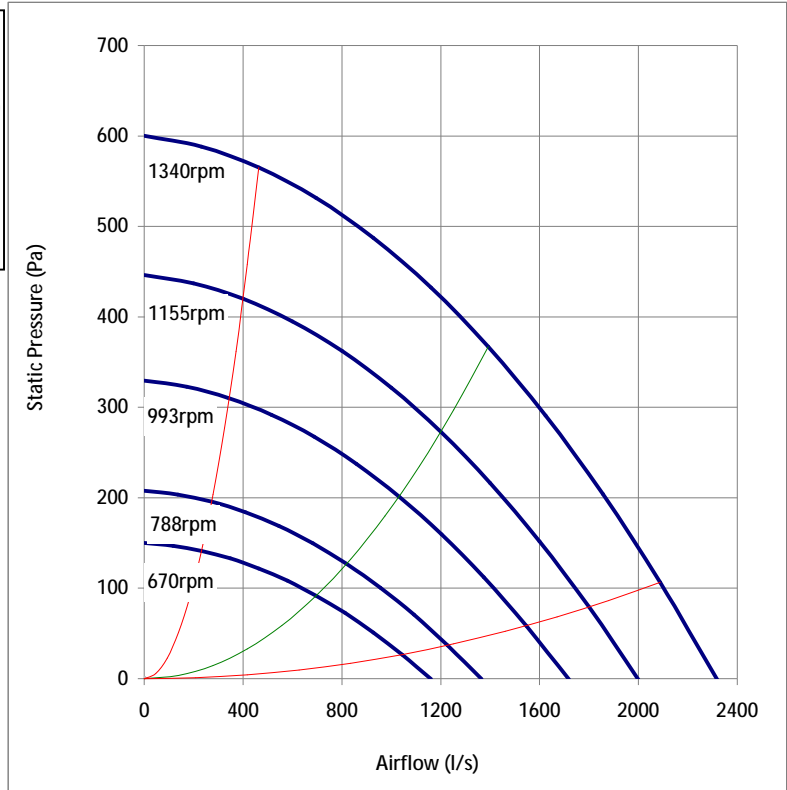
Size 500 mm  
 Type Backward Arefoil Curve  
 Material Aluminium  
 Motor finish Powder Coating RAL7032

### Motor

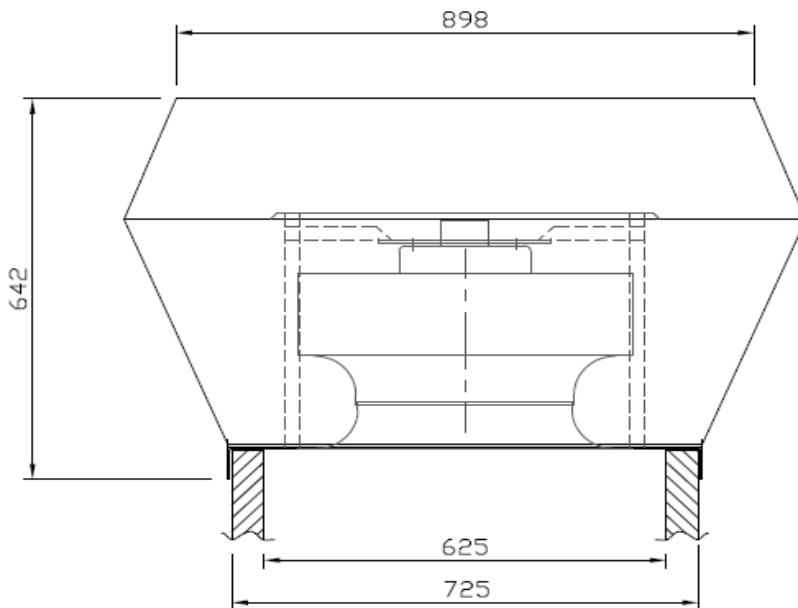
Type External Rotor  
 IP Rating 54  
 Insulation Class 155  
 Power 1.30 Kw  
 Power Supply 230V/1PH/50Hz  
 Speed 1340 RPM  
 FLC 5.80 A  
 Capacitor 30 µF  
 Control RE7.5, 5 Step Controller  
 Protection Thermal Contacts

### Fan

Case Galvanise Steel  
 Weight 65 Kg  
 Max. Temp 50 °C



Speed (rpm)	Peak Pressure (Pa)	Peak Power (kw)	Motor Running Voltage (V)	Sound Power Level SWL dB re 1pw								Sound Pressure Level dB at 3 meters
				63	125	250	500	1k	2k	4k	8k	
1340	600	1.30	230	72	78	72	70	64	59	57	61	51
1155	446	0.83	200	69	75	69	67	61	56	54	58	48
993	329	0.53	170	65	71	65	63	57	52	50	54	44
788	208	0.26	130	60	66	60	58	52	47	45	49	39
670	150	0.16	110	57	63	57	55	49	44	42	46	36



# Vertical Discharge Metal Centrifugal Fan

DVCG-5043



### Impeller

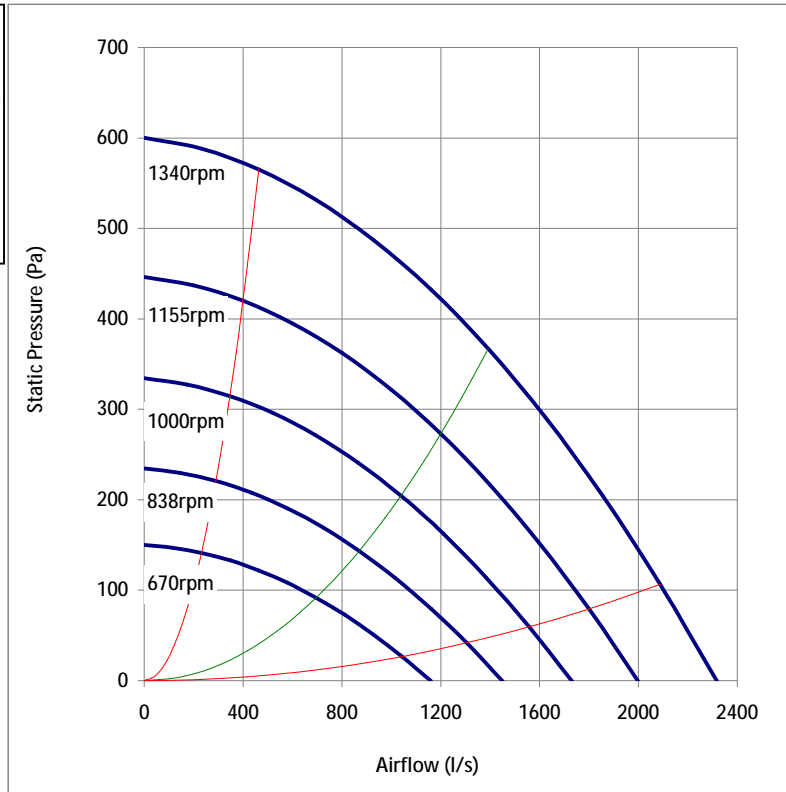
Size 500 mm  
 Type Backward Arefoil Curve  
 Material Aluminium  
 Motor finish Powder Coating RAL7032

### Motor

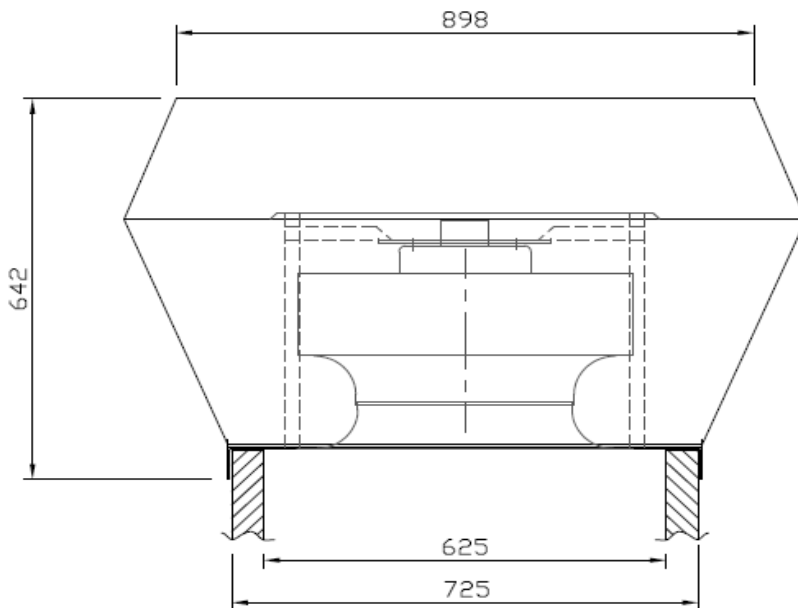
Type External Rotor  
 IP Rating 54  
 Insulation Class 155  
 Power 1.20 Kw  
 Power Supply 400V/3PH/50Hz  
 Speed 1340 RPM  
 FLC 2.20 A  
 Capacitor -  
 Control Variable Speed Drive  
 Protection Thermal Contacts

### Fan

Case Galvanise Steel  
 Weight 65 Kg  
 Max. Temp 50 °C



Speed (rpm)	Peak Pressure (Pa)	Peak Power (kw)	Running Frequency	Sound Power Level SWL dB re 1pw								Sound Pressure Level dB at 3 meters
				63	125	250	500	1k	2k	4k	8k	
1340	600	1.20	50	72	78	72	70	64	59	57	61	51
1155	446	0.77	43	69	75	69	67	61	56	54	58	48
1000	334	0.50	37	66	72	66	64	58	53	51	55	45
838	234	0.29	31	62	68	62	60	54	49	47	51	41
670	150	0.15	25	57	63	57	55	49	44	42	46	36



# Vertical Discharge Metal Centrifugal Fan

DVCG-5061



### Impeller

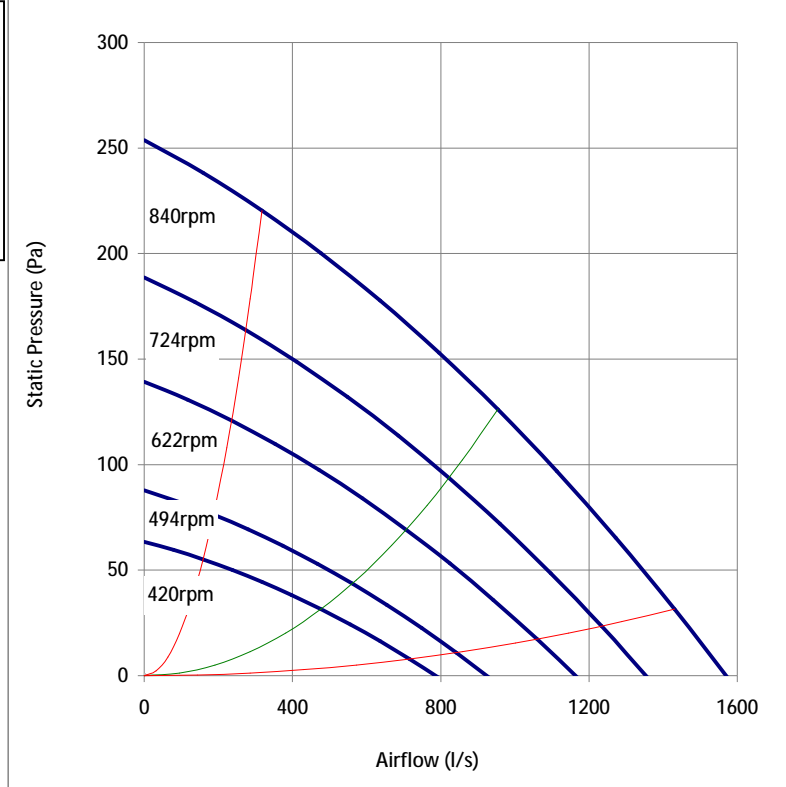
Size 500 mm  
 Type Backward Arefoil Curve  
 Material Aluminium  
 Motor finish Powder Coating RAL7032

### Motor

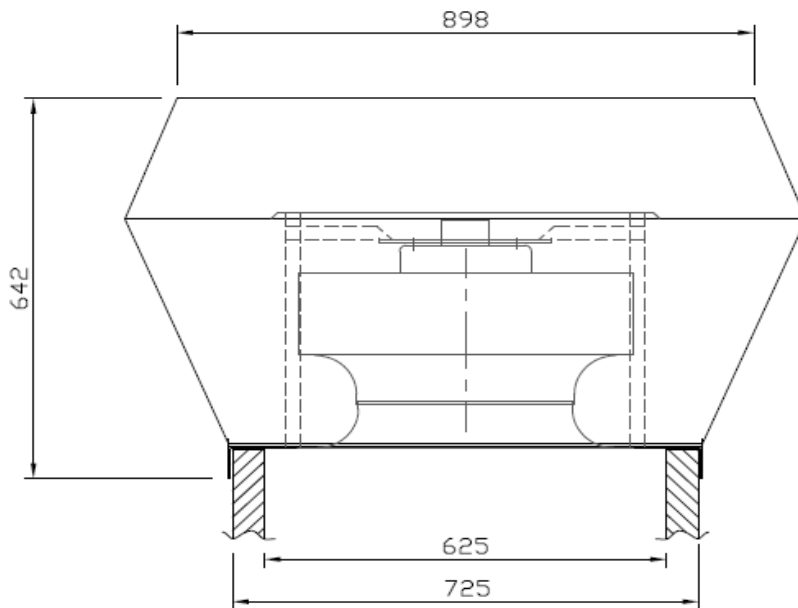
Type External Rotor  
 IP Rating 54  
 Insulation Class 155  
 Power 0.38 Kw  
 Power Supply 230V/1PH/50Hz  
 Speed 840 RPM  
 FLC 1.65 A  
 Capacitor 12 µF  
 Control RE3.5, 5 Step Controller  
 Protection Thermal Contacts

### Fan

Case Galvanise Steel  
 Flange MEZZ 130  
 Weight 65 Kg  
 Max. Temp 50 °C



Speed (rpm)	Peak Pressure (Pa)	Peak Power (kw)	Motor Running Voltage (V)	Sound Power Level SWL dB re 1pw								Sound Pressure Level dB at 3 meters
				63	125	250	500	1k	2k	4k	8k	
840	254	0.38	230	64	70	64	62	56	51	49	53	43
724	189	0.24	200	61	67	61	59	53	48	46	50	40
622	139	0.15	170	57	63	57	55	49	44	42	46	36
494	88	0.08	130	52	58	52	50	44	39	37	41	31
420	63	0.05	110	49	55	49	47	41	36	34	38	28



# Vertical Discharge Metal Centrifugal Fan

DVCG-5063



### Impeller

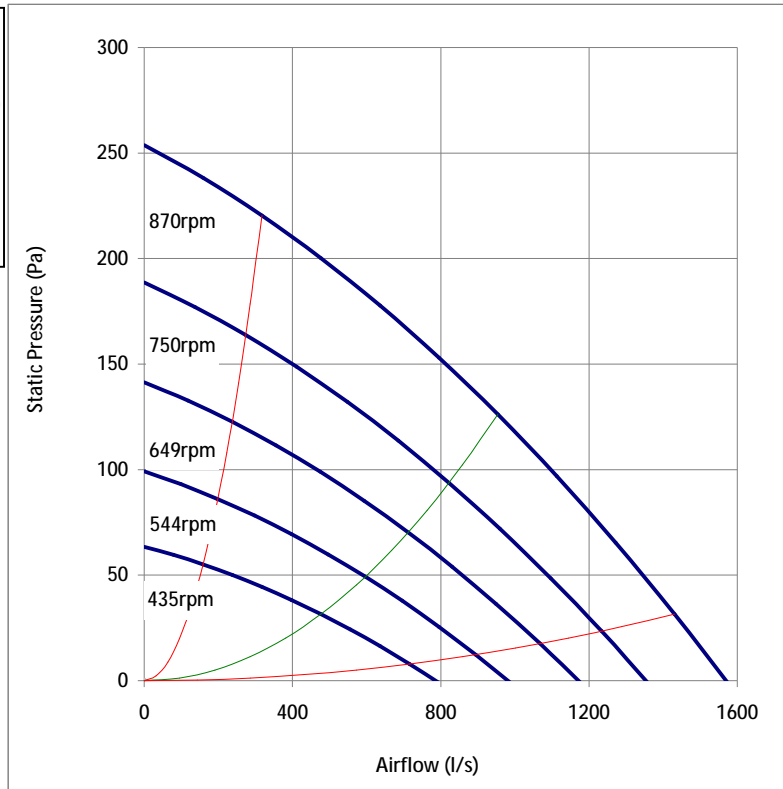
Size 500 mm  
 Type Backward Arefoil Curve  
 Material Aluminium  
 Motor finish Powder Coating RAL7032

### Motor

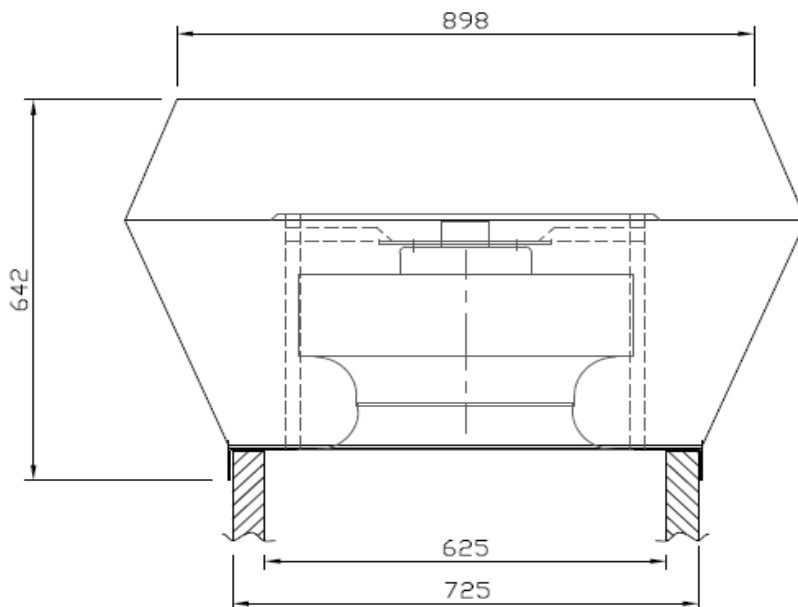
Type External Rotor  
 IP Rating 54  
 Insulation Class 155  
 Power 0.42 Kw  
 Power Supply 400V/3PH/50Hz  
 Speed 870 RPM  
 FLC 0.93 A  
 Capacitor -  
 Control Variable Speed Drive  
 Protection Thermal Contacts

### Fan

Case Galvanise Steel  
 Weight 65 Kg  
 Max. Temp 50 °C



Speed (rpm)	Peak Pressure (Pa)	Peak Power (kw)	Running Frequency	Sound Power Level SWL dB re 1pw								Sound Pressure Level dB at 3 meters
				63	125	250	500	1k	2k	4k	8k	
870	254	0.42	50	64	70	64	62	56	51	49	53	43
750	189	0.27	43	61	67	61	59	53	48	46	50	40
649	141	0.17	37	58	64	58	56	50	45	43	47	37
544	99	0.10	31	54	60	54	52	46	41	39	43	33
435	63	0.05	25	49	55	49	47	41	36	34	38	28



# Vertical Discharge Metal Centrifugal Fan

DVCG-5643



### Impeller

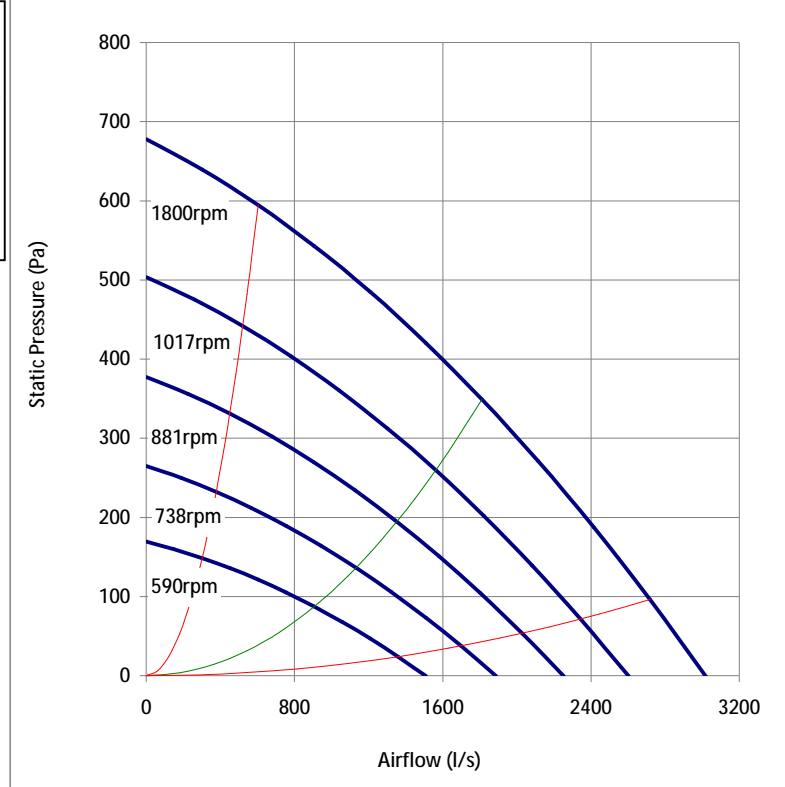
Size 560 mm  
 Type Backward Arefoil Curve  
 Material Aluminium  
 Motor finish Powder Coating RAL7032

### Motor

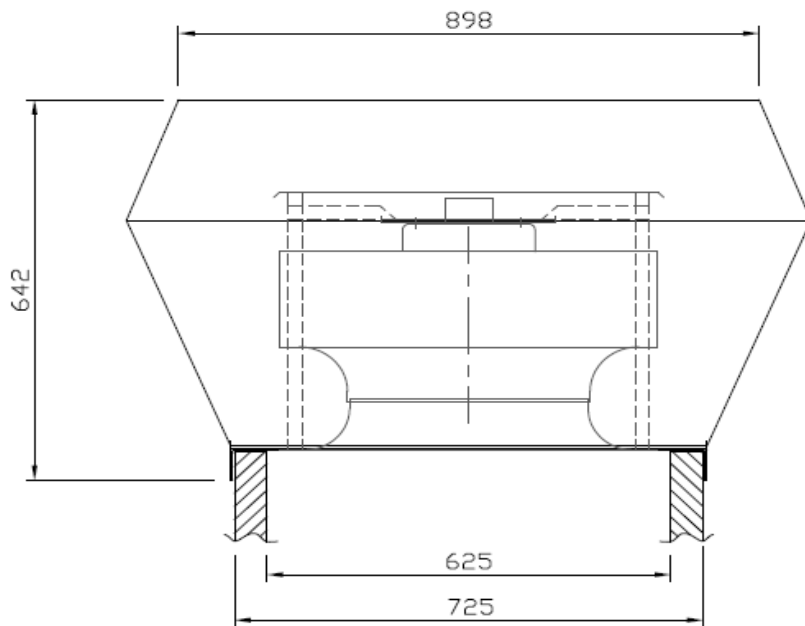
Type External Rotor  
 IP Rating 54  
 Insulation Class 155  
 Power 1.70 Kw  
 Power Supply 400V/3PH/50Hz  
 Speed 1180 RPM  
 FLC 3.30 A  
 Capacitor -  
 Control Variable Speed Drive  
 Protection Thermal Contacts

### Fan

Case Galvanise Steel  
 Weight 85 kg  
 Max. Temp 50 °C



Speed (rpm)	Peak Pressure (Pa)	Peak Power (kw)	Running Frequency	Sound Power Level SWL dB re 1pw								Sound Pressure Level dB at 3 meters
				63	125	250	500	1k	2k	4k	8k	
1180	678	1.70	50	70	80	73	68	63	58	56	62	52
1017	504	1.09	43	67	77	70	65	60	55	53	59	49
881	377	0.71	37	64	74	67	62	57	52	50	56	46
738	265	0.42	31	60	70	63	58	53	48	46	52	42
590	169	0.21	25	55	65	58	53	48	43	41	47	37



# Vertical Discharge Metal Centrifugal Fan

DVCG-5661



### Impeller

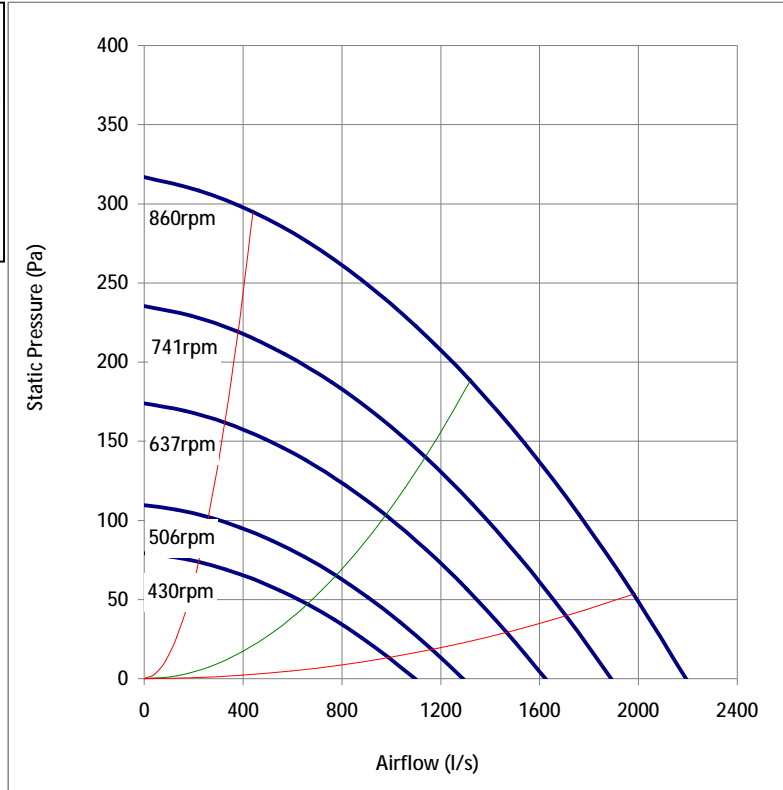
Size 560 mm  
 Type Backward Arefoil Curve  
 Material Aluminium  
 Motor finish Powder Coating RAL7032

### Motor

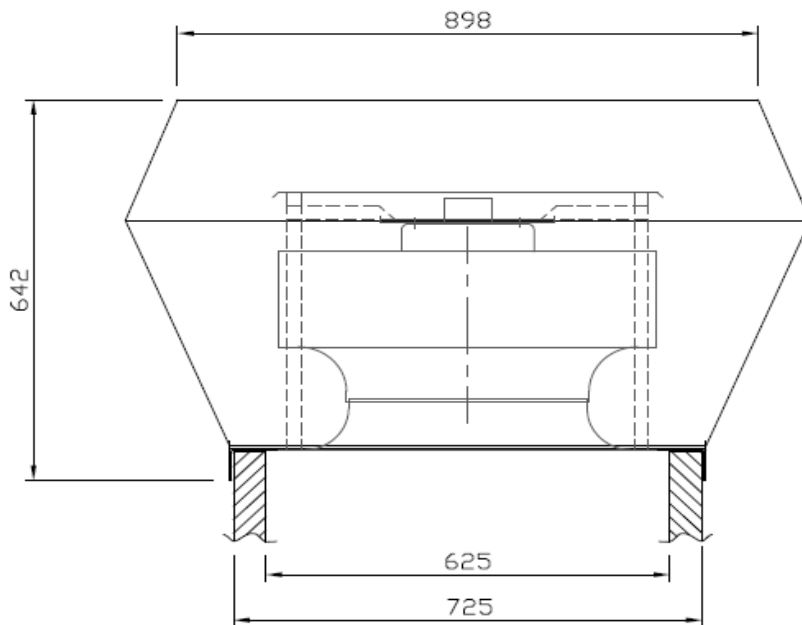
Type External Rotor  
 IP Rating 54  
 Insulation Class 155  
 Power 0.66 Kw  
 Power Supply 230V/1PH/50Hz  
 Speed 860 RPM  
 FLC 3.00 A  
 Capacitor 14 µF  
 Control RE3.5, 5 Step Controller  
 Protection Thermal Contacts

### Fan

Case Galvanise Steel  
 Weight 85 kg  
 Max. Temp 50 °C



Speed (rpm)	Peak Pressure (Pa)	Peak Power (kw)	Motor Running Voltage (V)	Sound Power Level SWL dB re 1pw								Sound Pressure Level dB at 3 meters
				63	125	250	500	1k	2k	4k	8k	
860	317	0.66	230	63	73	66	61	56	51	49	55	44
741	235	0.42	200	60	70	63	58	53	48	46	52	41
637	174	0.27	170	56	66	59	54	49	44	42	48	37
506	110	0.13	130	51	61	54	49	44	39	37	43	32
430	79	0.08	110	48	58	51	46	41	36	34	40	29



# Vertical Discharge Metal Centrifugal Fan

DVCG-5663



### Impeller

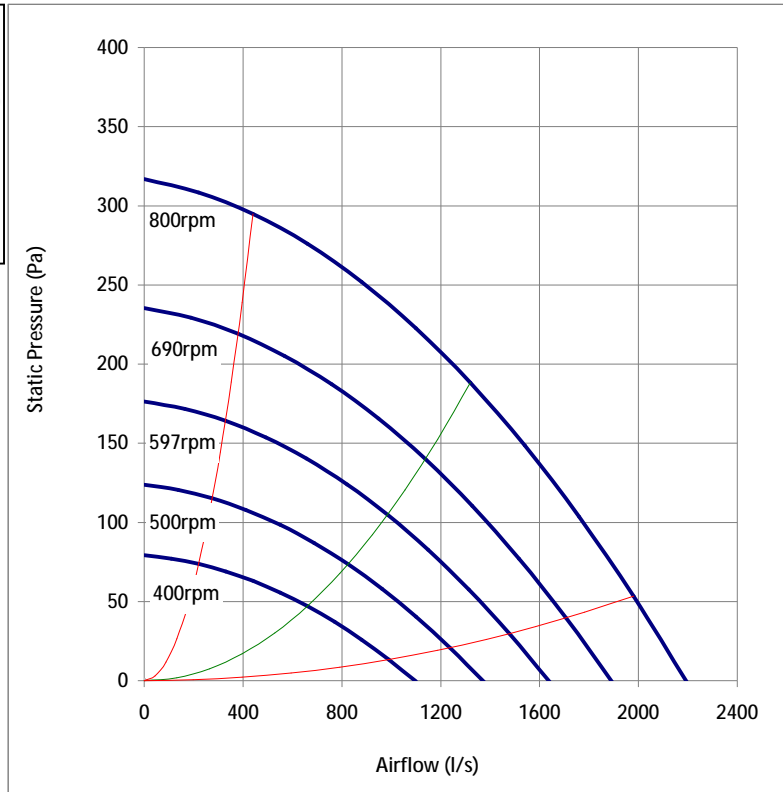
Size 560 mm  
 Type Backward Arefoil Curve  
 Material Aluminium  
 Motor finish Powder Coating RAL7032

### Motor

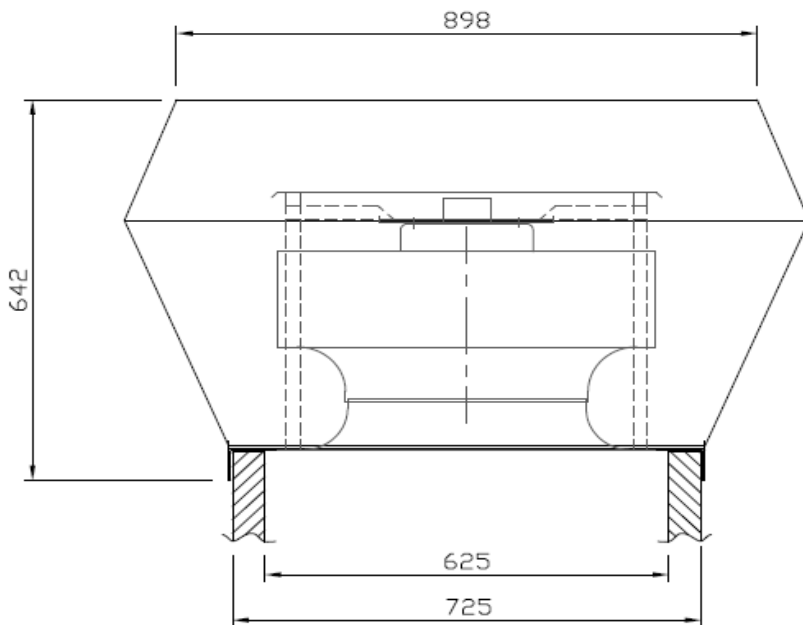
Type External Rotor  
 IP Rating 54  
 Insulation Class 155  
 Power 0.61 Kw  
 Power Supply 400V/3PH/50Hz  
 Speed 800 RPM  
 FLC 1.05 A  
 Capacitor -  
 Control Variable Speed Drive  
 Protection Thermal Contacts

### Fan

Case Galvanise Steel  
 Weight 85 kg  
 Max. Temp 50 °C



Speed (rpm)	Peak Pressure (Pa)	Peak Power (kw)	Running Frequency	Sound Power Level SWL dB re 1pw								Sound Pressure Level dB at 3 meters
				63	125	250	500	1k	2k	4k	8k	
800	317	0.61	50	63	73	66	61	56	51	49	55	44
690	235	0.39	43	60	70	63	58	53	48	46	52	41
597	176	0.25	37	57	67	60	55	50	45	43	49	38
500	124	0.15	31	53	63	56	51	46	41	39	45	34
400	79	0.08	25	48	58	51	46	41	36	34	40	29



# Vertical Discharge Metal Centrifugal Fan

DVCG-6343



### Impeller

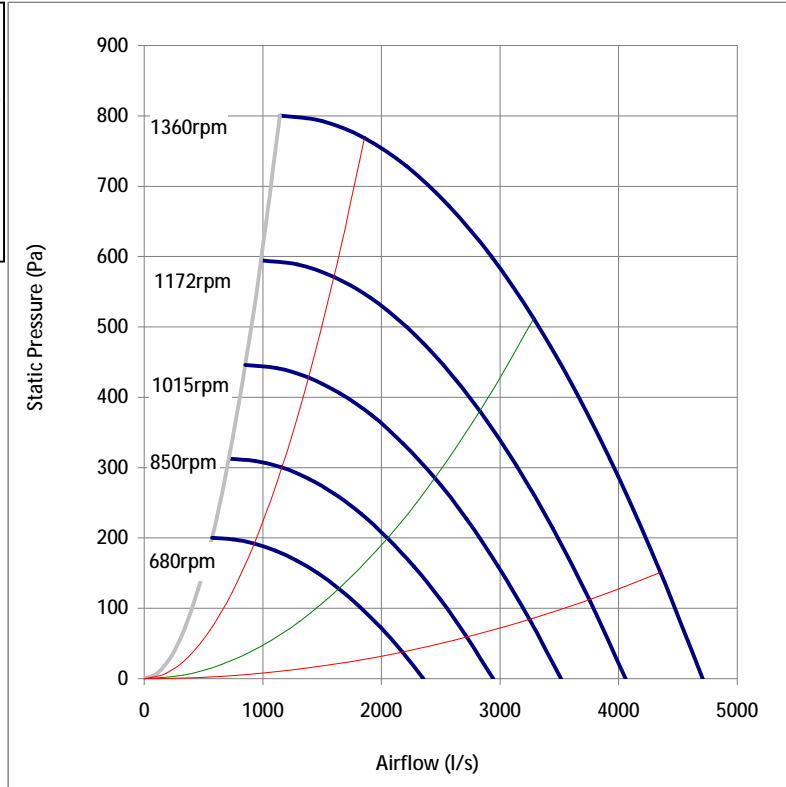
Size 630 mm  
 Type Backward Arefoil Curve  
 Material Aluminium  
 Motor finish Powder Coating RAL7032

### Motor

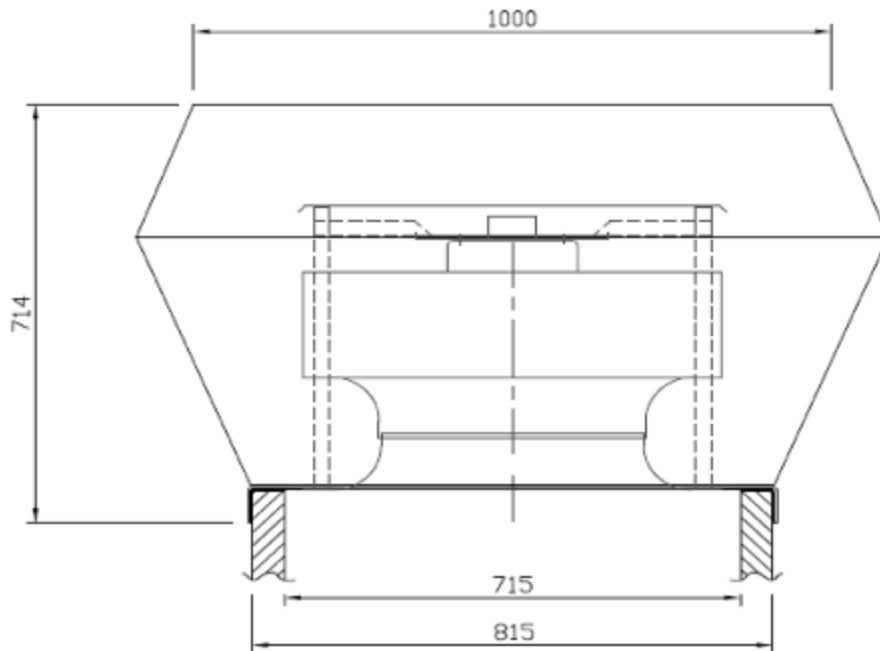
Type External Rotor  
 IP Rating 54  
 Insulation Class 155  
 Power 3.90 Kw  
 Power Supply 400V/3PH/50Hz  
 Speed 1360 RPM  
 FLC 6.60 A  
 Capacitor -  
 Control Variable Speed Drive  
 Protection Thermal Contacts

### Fan

Case Galvanise Steel  
 Weight 95 kg  
 Max. Temp 50 °C



Speed (rpm)	Peak Pressure (Pa)	Peak Power (kw)	Running Frequency	Sound Power Level SWL (dB re 1pw)								Sound Pressure Level (dB at 3 meters)
				63	125	250	500	1k	2k	4k	8k	
1360	800	3.90	50	81	86	82	77	78	72	69	64	60
1172	595	2.50	43	78	83	79	74	75	69	66	61	57
1015	446	1.62	37	75	80	76	71	72	66	63	58	54
850	313	0.95	31	71	76	72	67	68	62	59	54	50
680	200	0.49	25	66	71	67	62	63	57	54	49	45





# Vertical Discharge Metal Centrifugal Fan

DVCG-6363



### Impeller

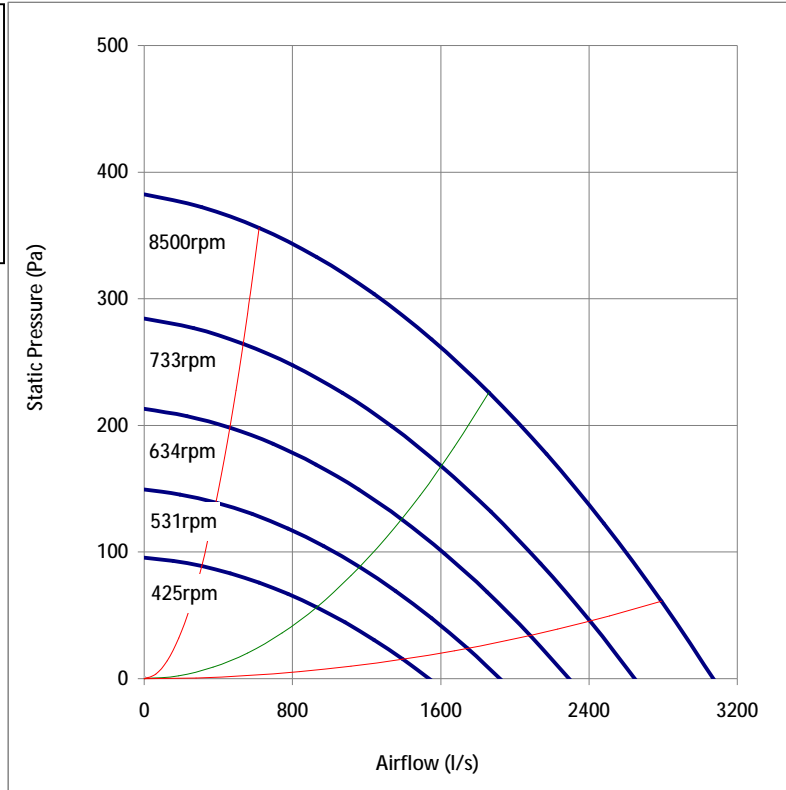
Size 630 mm  
 Type Backward Arefoil Curve  
 Material Aluminium  
 Motor finish Powder Coating RAL7032

### Motor

Type External Rotor  
 IP Rating 54  
 Insulation Class 155  
 Power 1.10 Kw  
 Power Supply 400V/3PH/50Hz  
 Speed 850 RPM  
 FLC 2.20 A  
 Capacitor -  
 Control Variable Speed Drive  
 Protection Thermal Contacts

### Fan

Case Galvanise Steel  
 Weight 95 kg  
 Max. Temp 50 °C



Speed (rpm)	Peak Pressure (Pa)	Peak Power (kw)	Running Frequency	Sound Power Level SWL (dB re 1pw)								Sound Pressure Level (dB at 3 meters)
				63	125	250	500	1k	2k	4k	8k	
850	383	1.10	50	73	78	74	69	70	64	61	56	53
733	284	0.70	43	70	75	71	66	67	61	58	53	50
634	213	0.46	37	67	72	68	63	64	58	55	50	47
531	149	0.27	31	63	68	64	59	60	54	51	46	43
425	96	0.14	25	58	63	59	54	55	49	46	41	38

