

# *DVPG*

- Roof Mount Axial Extract Fan  
Vertical discharge

## SPECIFICATION

---

### Sizes

630, 710, 800, 1000mm diameter

### Fan Performance

The fan is of large volume flow design. The impeller is designed to give excellent performance characteristic with large airflow and low static pressure development

### Impellers

Flaktwoods clima axial impeller with aerofoil profiled blades. The impellers are manufactured from Aluminium hub and black composite material blades and balanced according to ISO1940.

### MOTORS

Manufactured to comply AS1359 high efficiency IE2. Motor enclosure to feature IP55 protection . Motor winding insulation are to incorporate thermal class 155 as standard. Motor bearings are to be of maintenance free ball bearing design.

### Casing

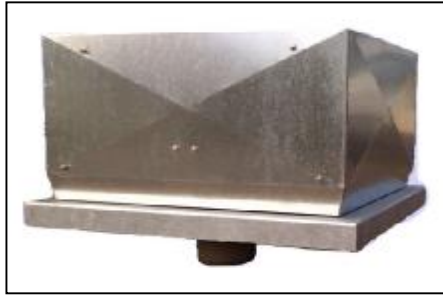
Wind band and base of the fans are of galvanised. Impeller/motor assembly to be supported by a galvanised steel. Bird mesh to be fit as standard.



Woods Clima Axial Impeller

# Roof Axial Vertical Discharge Fan

DVPG-5041



### Impeller

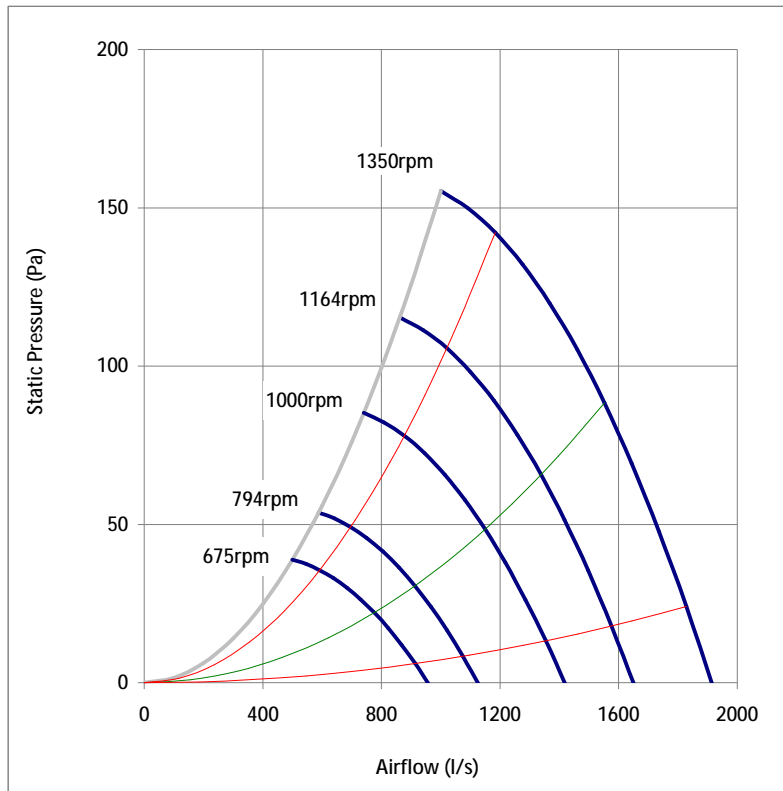
Size 500 mm  
 Type Axial Arefoil  
 Material Aluminium clad mild steel  
 Motor finish Aluminium

### Motor

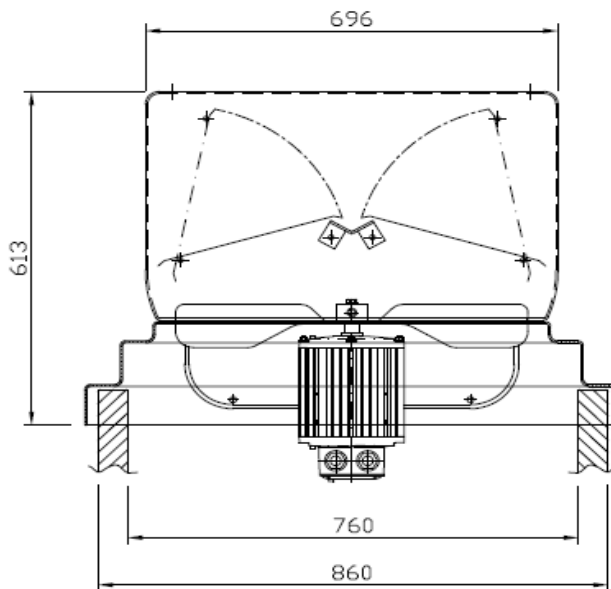
Type TEFC  
 IP Rating 55  
 Insulation Class 155  
 Power 0.52 Kw  
 Power Supply 230V/1PH/50Hz  
 Speed 1350 RPM  
 FLC 2.80 A  
 Capacitor 15 µF  
 Control RE3.5, 5 Step Controller  
 Protection Thermal Contacts

### Fan

Cowl Galvanised Metal  
 Weight 66 Kg  
 Max. Temp 50 °C

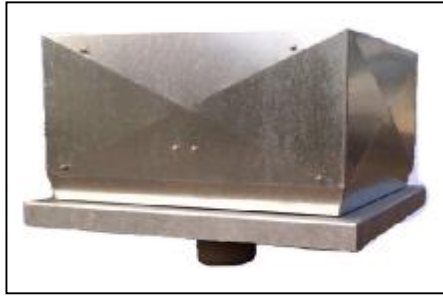


Speed (rpm)	Peak Pressure (Pa)	Peak Power (kw)	Motor Running Voltage (V)	Sound Power Level SWL dB re 1pw								Sound Pressure Level dB at 3 meters
				63	125	250	500	1k	2k	4k	8k	
1350	155	0.52	230	79	81	81	79	77	76	73	67	62
1164	115	0.33	200	76	78	78	76	74	73	70	64	59
1000	85	0.21	170	72	74	74	72	70	69	66	60	55
794	54	0.11	130	67	69	69	67	65	64	61	55	50
675	39	0.07	110	64	66	66	64	62	61	58	52	47



# Roof Axial Vertical Discharge Fan

DVPG-5043



### Impeller

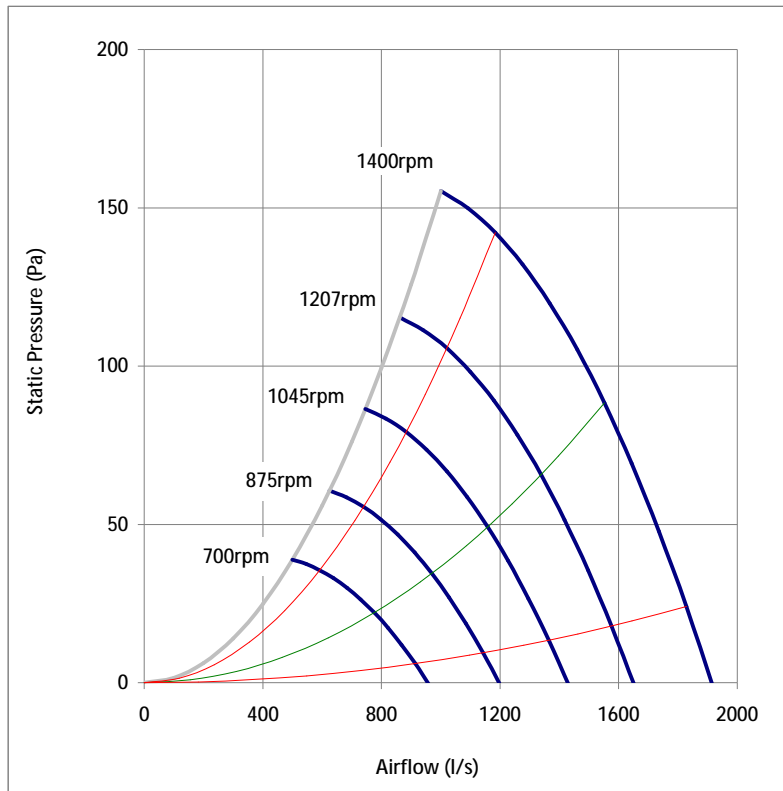
Size 500 mm  
 Type Axial Arefoil  
 Material Aluminium clad mild steel  
 Motor finish Aluminium

### Motor

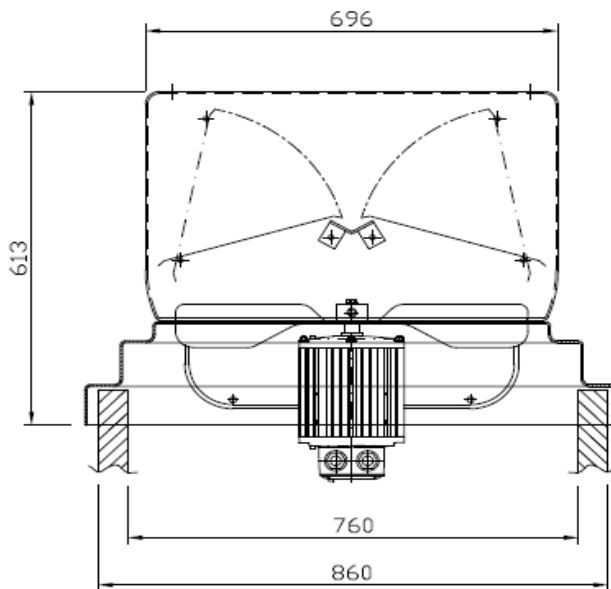
Type TEFC  
 IP Rating 55  
 Insulation Class 155  
 Power 0.55 Kw  
 Power Supply 400V/3PH/50Hz  
 Speed 1400 RPM  
 FLC 1.50 A  
 Capacitor -  
 Control Variable Speed Drive  
 Protection Thermistor

### Fan

Cowl Galvanised Metal  
 Weight 66 Kg  
 Max. Temp 50 °C

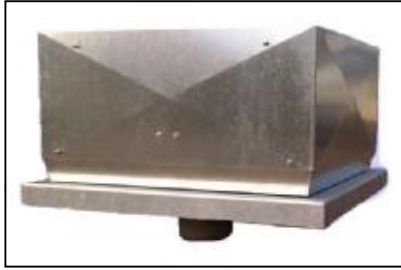


Speed (rpm)	Peak Pressure (Pa)	Peak Power (kw)	Running Frequency	Sound Power Level SWL dB re 1pw								Sound Pressure Level dB at 3 meters
				63	125	250	500	1k	2k	4k	8k	
1400	155	0.55	50	79	81	81	79	77	76	73	67	62
1207	115	0.35	43	76	78	78	76	74	73	70	64	59
1045	86	0.23	37	73	75	75	73	71	70	67	61	56
875	61	0.13	31	69	71	71	69	67	66	63	57	52
700	39	0.07	25	64	66	66	64	62	61	58	52	47



# Roof Axial Vertical Discharge Fan

DVPG-6343



### Impeller

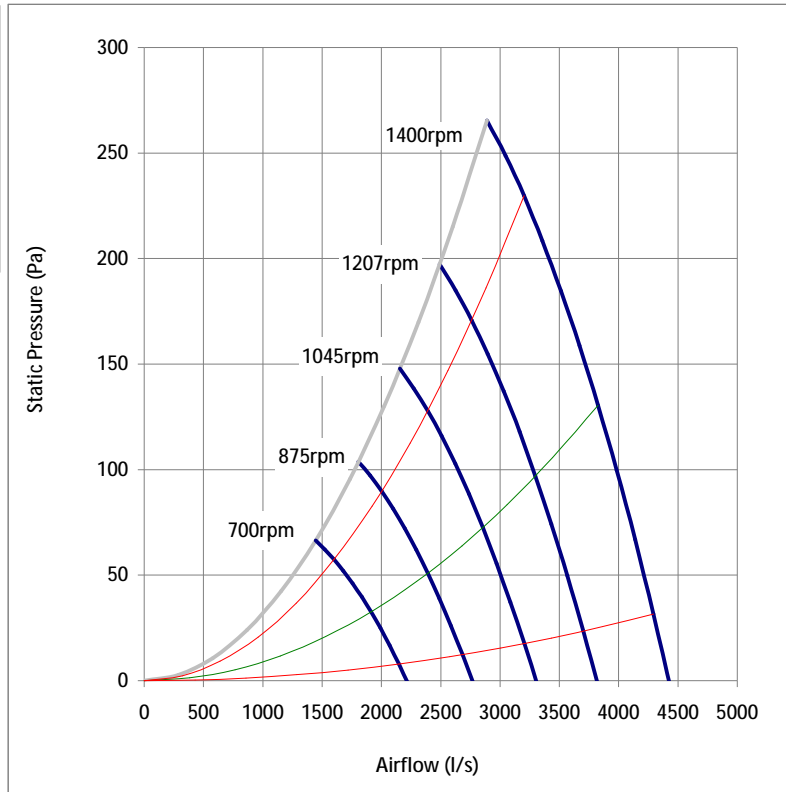
Size 630 mm  
 Type Axial Arefoil  
 Material Black Composite Material  
 Motor finish Powder Coating RAL7032

### Motor

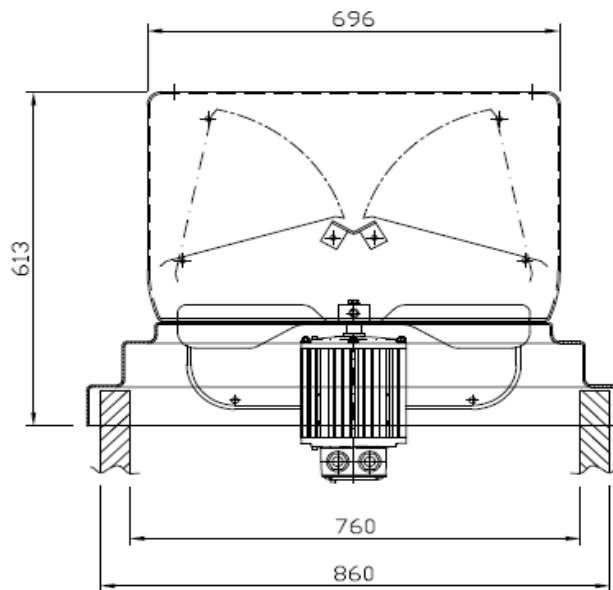
Type IE2 - TEFC  
 IP Rating 55  
 Insulation Class 155  
 Power 1.55 Kw  
 Power Supply 400V/3PH/50Hz  
 Speed 1400 RPM  
 FLC 3.50 A  
 Capacitor -  
 Control Variable Speed Drive  
 Protection Thermal Contacts

### Fan

Cowl Galvanised Metal  
 Weight 70 Kg  
 Max. Temp 50 °C

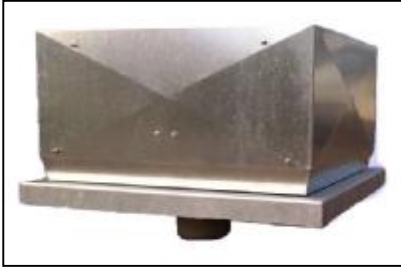


Speed (rpm)	Peak Pressure (Pa)	Peak Power (kw)	Running Frequency	Sound Power Level SWL dB re 1pw								Sound Pressure Level dB at 3 meters
				63	125	250	500	1k	2k	4k	8k	
1400	265	1.55	50	83	85	82	78	75	72	68	63	63
1207	197	0.99	43	80	82	79	75	72	69	65	60	60
1045	148	0.64	37	77	79	76	72	69	66	62	57	57
875	104	0.38	31	73	75	72	68	65	62	58	53	53
700	66	0.19	25	68	70	67	63	60	57	53	48	48



# Roof Axial Vertical Discharge Fan

DVPG-6363



**Impeller**

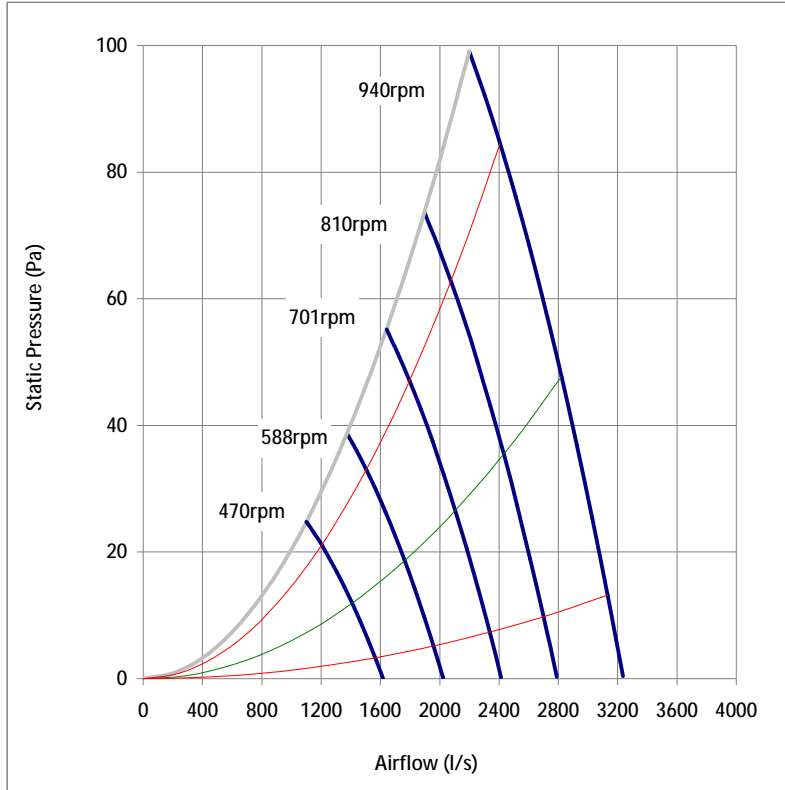
Size 630 mm  
 Type Axial Arefoil  
 Material Black Composite Material  
 Motor finish Powder Coating RAL7032

**Motor**

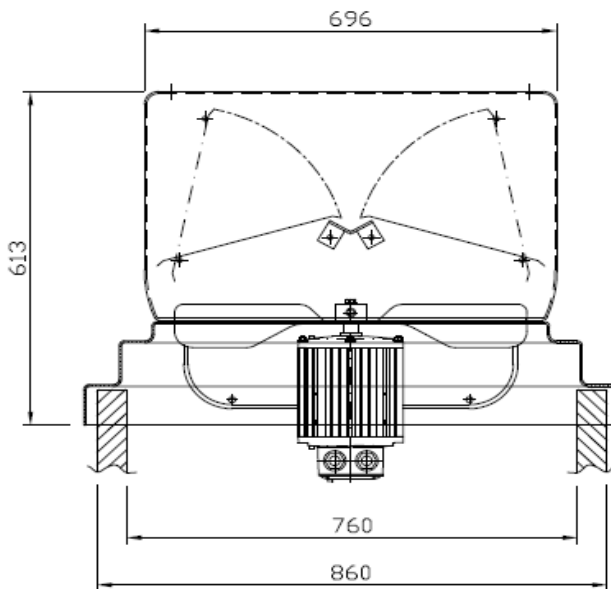
Type IE2 - TEFC  
 IP Rating 55  
 Insulation Class 155  
 Power 0.75 Kw  
 Power Supply 400V/3PH/50Hz  
 Speed 940 RPM  
 FLC 2.20 A  
 Capacitor -  
 Control Variable Speed Drive  
 Protection Thermal Contacts

**Fan**

Cowl Galvanised Metal  
 Weight 66 Kg  
 Max. Temp 50 °C



Speed (rpm)	Peak Pressure (Pa)	Peak Power (kw)	Running Frequency	Sound Power Level SWL dB re 1pw								Sound Pressure Level dB at 3 meters
				63	125	250	500	1k	2k	4k	8k	
940	99	0.75	50	72	74	72	67	64	60	57	53	52
810	74	0.48	43	69	71	69	64	61	57	54	50	49
701	55	0.31	37	66	68	66	61	58	54	51	47	46
588	39	0.18	31	62	64	62	57	54	50	47	43	42
470	25	0.09	25	57	59	57	52	49	45	42	38	37



# Roof Axial Vertical Discharge Fan

DVPG-7143



### Impeller

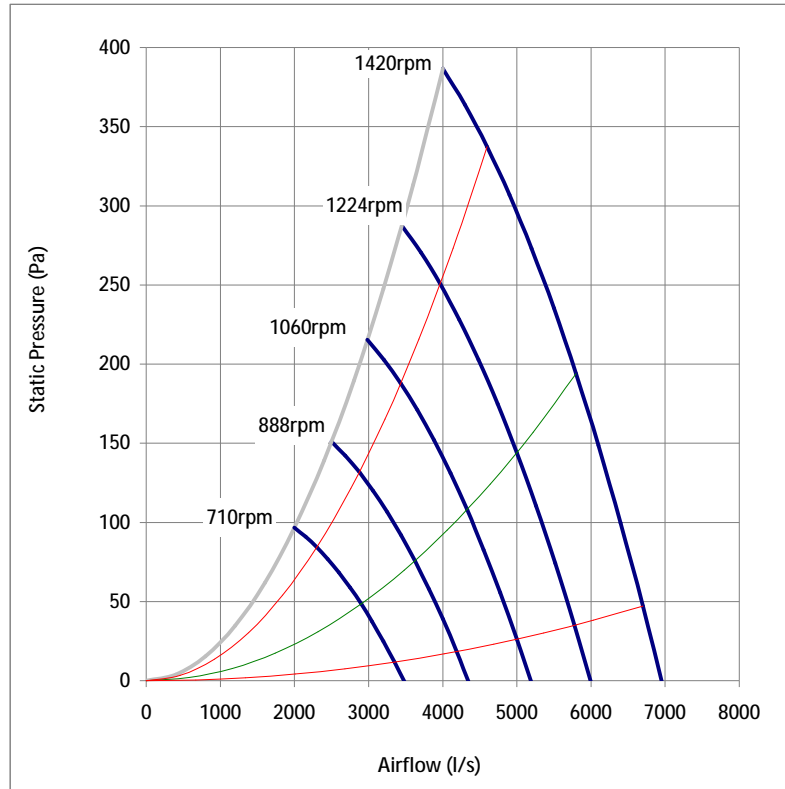
Size 710 mm  
 Type Axial Arefoil  
 Material Black Composite Material  
 Motor finish Powder Coating RAL7032

### Motor

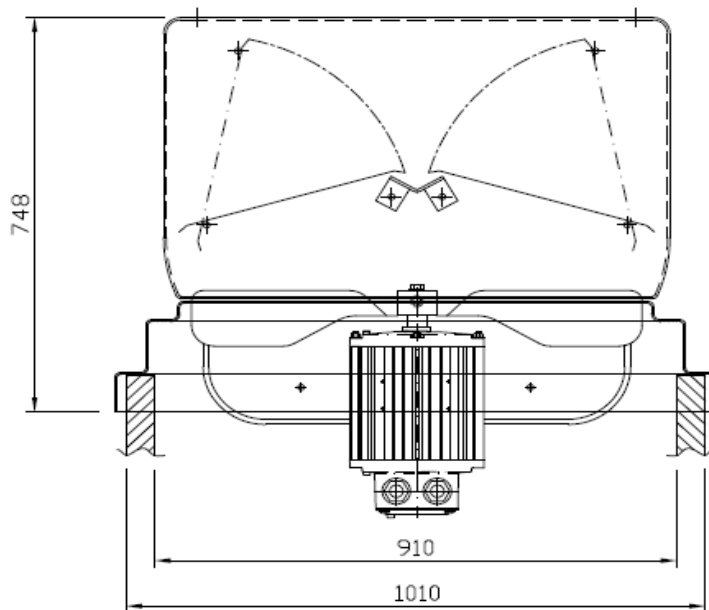
Type IE2 - TEFC  
 IP Rating 55  
 Insulation Class 155  
 Power 3.00 Kw  
 Power Supply 400V/3PH/50Hz  
 Speed 1420 RPM  
 FLC 6.40 A  
 Capacitor -  
 Control Variable Speed Drive  
 Protection Thermal Contacts

### Fan

Cowl Galvanised metal  
 Weight 88 Kg  
 Max. Temp 50 °C

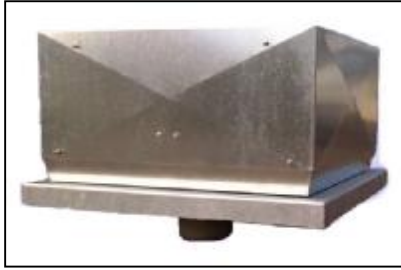


Speed (rpm)	Peak Pressure (Pa)	Peak Power (kw)	Running Frequency	Sound Power Level SWL (dB re 1pw)								Sound Pressure Level (dB at 3 meters)
				63	125	250	500	1k	2k	4k	8k	
1420	387	3.00	50	81	85	84	83	79	79	75	71	65
1224	287	1.92	43	78	82	81	80	76	76	72	68	62
1060	215	1.25	37	75	79	78	77	73	73	69	65	59
888	151	0.73	31	71	75	74	73	69	69	65	61	55
710	97	0.38	25	66	70	69	68	64	64	60	56	50



# Roof Axial Downflow Fan

DVPG-7163



### Impeller

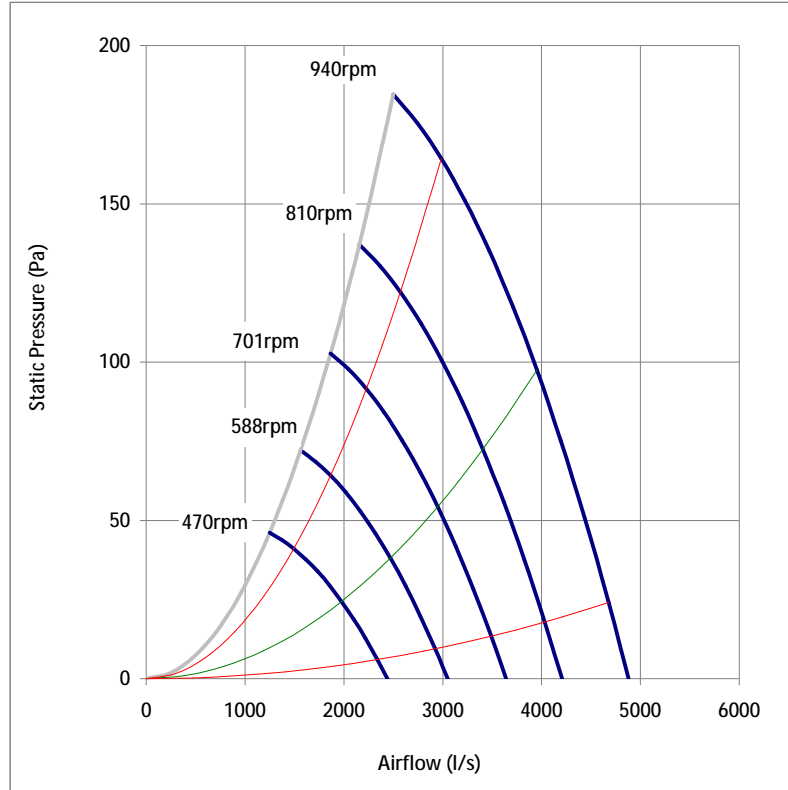
Size 710 mm  
 Type Axial Arefoil  
 Material Black Composite Material  
 Motor finish Powder Coating RAL7032

### Motor

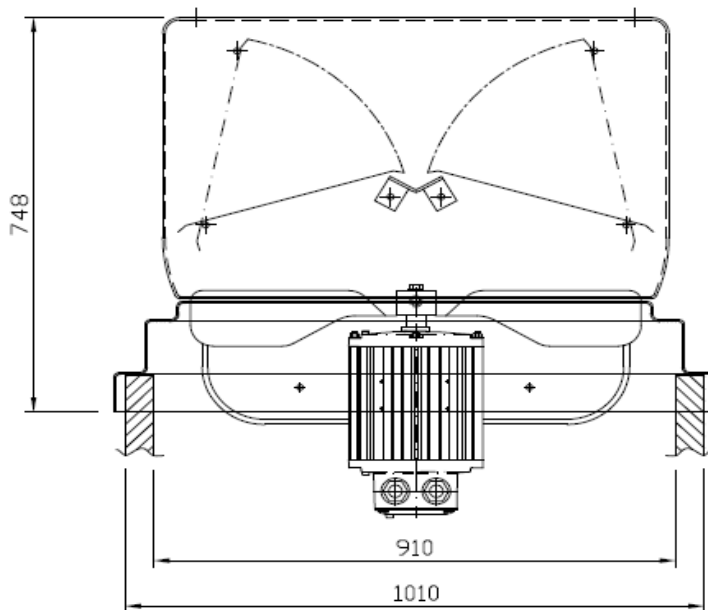
Type IE2 - TEFC  
 IP Rating 55  
 Insulation Class 155  
 Power 1.10 Kw  
 Power Supply 400V/3PH/50Hz  
 Speed 940 RPM  
 FLC 3.30 A  
 Capacitor -  
 Control Variable Speed Drive  
 Protection Thermal Contacts

### Fan

Cowl Galvanised Metal  
 Weight 80 Kg  
 Max. Temp 50 °C



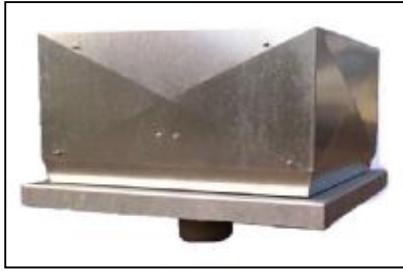
Speed (rpm)	Peak Pressure (Pa)	Peak Power (kw)	Running Frequency	Sound Power Level SWL (dB re 1pw)								Sound Pressure Level (dB at 3 meters)
				63	125	250	500	1k	2k	4k	8k	
940	185	1.10	50	75	77	76	72	70	67	62	59	56
810	137	0.70	43	72	74	73	69	67	64	59	56	53
701	103	0.46	37	69	71	70	66	64	61	56	53	50
588	72	0.27	31	65	67	66	62	60	57	52	49	46
470	46	0.14	25	60	62	61	57	55	52	47	44	41





# Roof Axial Vertical Discharge Fan

DVPG-8043



### Impeller

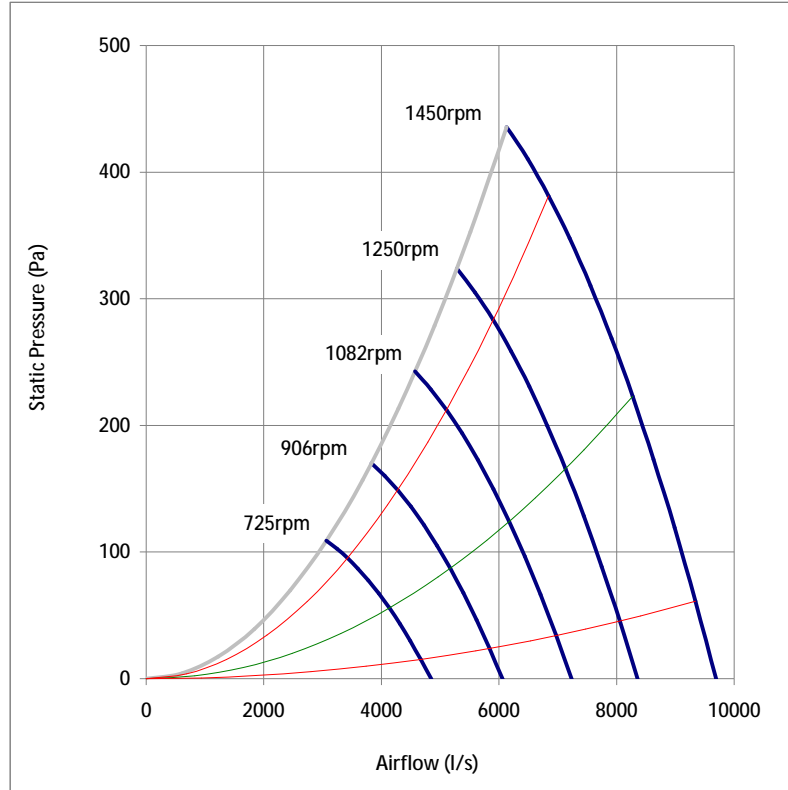
Size 800 mm  
 Type Axial Arefoil  
 Material Black Composite Material  
 Motor finish Powder Coating RAL7032

### Motor

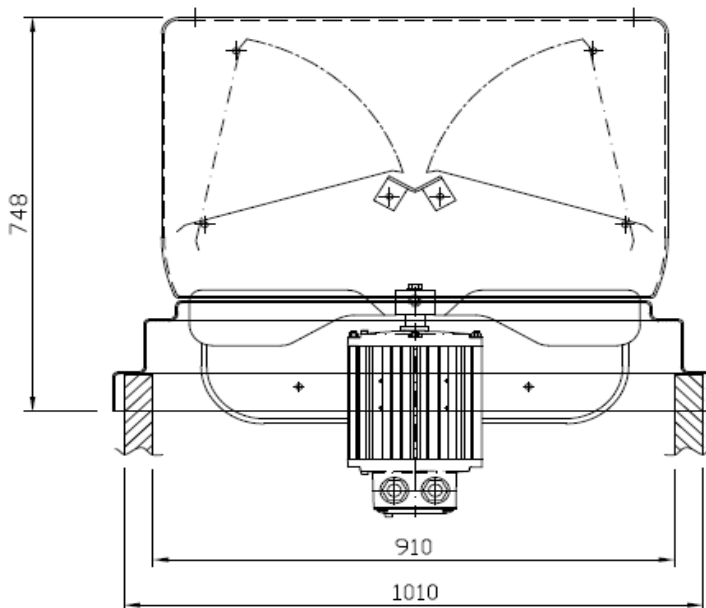
Type IE2 - TEFC  
 IP Rating 55  
 Insulation Class 155  
 Power 5.50 Kw  
 Power Supply 400V/3PH/50Hz  
 Speed 1450 RPM  
 FLC 11.00 A  
 Capacitor -  
 Control Variable Speed Drive  
 Protection Thermal Contacts

### Fan

Cowl Galvanised Metal  
 Weight 97 Kg  
 Max. Temp 50 °C

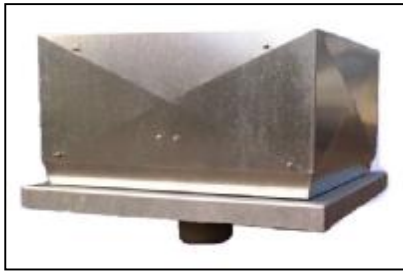


Speed (rpm)	Peak Pressure (Pa)	Peak Power (kw)	Running Frequency	Sound Power Level SWL dB re 1pw								Sound Pressure Level dB at 3 meters
				63	125	250	500	1k	2k	4k	8k	
1450	436	5.50	50	90	85	88	90	88	83	80	76	70
1250	324	3.52	43	87	82	85	87	85	80	77	73	67
1082	243	2.29	37	84	79	82	84	82	77	74	70	64
906	170	1.34	31	80	75	78	80	78	73	70	66	60
725	109	0.69	25	75	70	73	75	73	68	65	61	55



# Roof Axial Vertical Discharge Fan

DVPG-8063



### Impeller

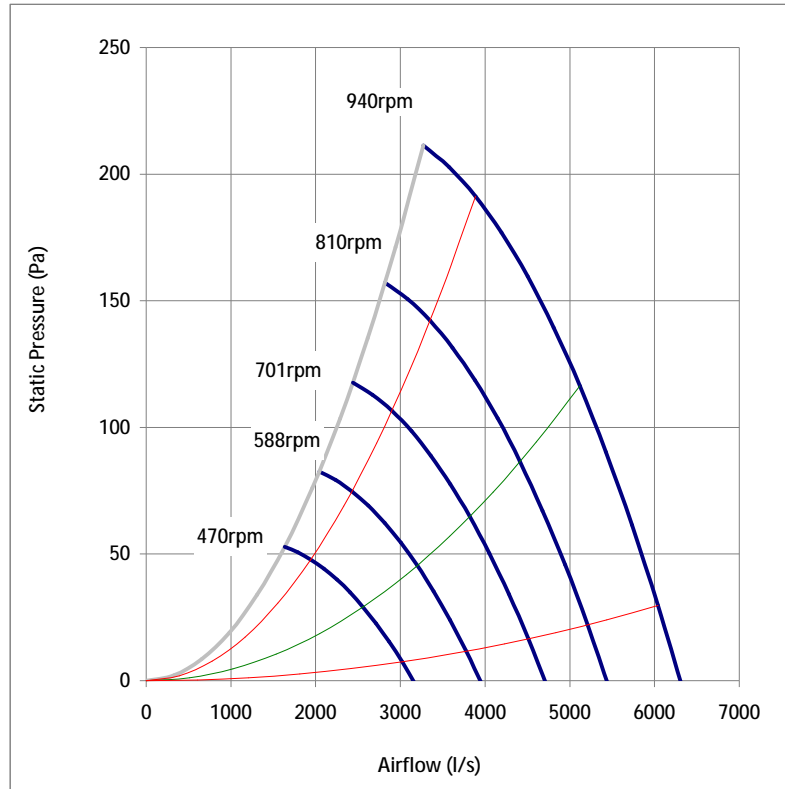
Size 800 mm  
 Type Axial Arefoil  
 Material Black Composite Material  
 Motor finish Powder Coating RAL7032

### Motor

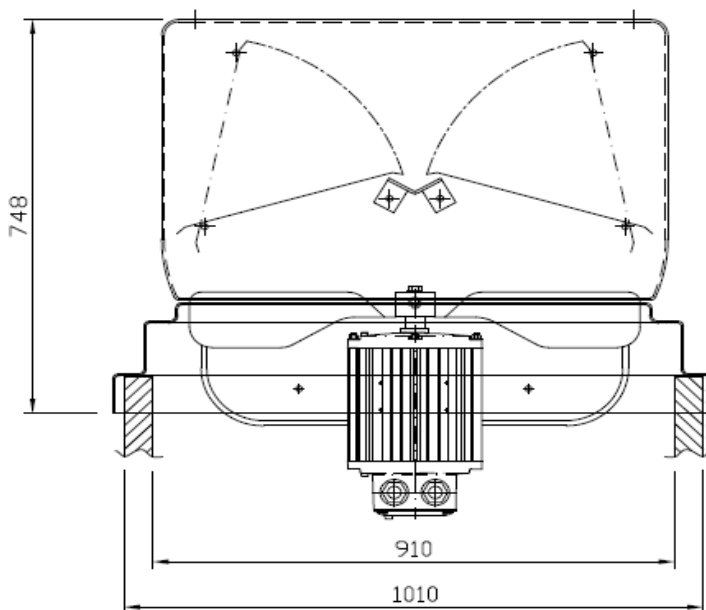
Type IE2 - TEFC  
 IP Rating 55  
 Insulation Class 155  
 Power 1.50 Kw  
 Power Supply 400V/3PH/50Hz  
 Speed 940 RPM  
 FLC 4.30 A  
 Capacitor -  
 Control Variable Speed Drive  
 Protection Thermal Contacts

### Fan

Cowl Galvanised Metal  
 Weight 92 Kg  
 Max. Temp 50 °C

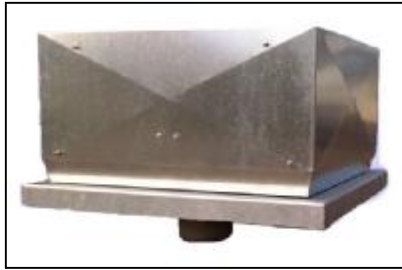


Speed (rpm)	Peak Pressure (Pa)	Peak Power (kw)	Running Frequency	Sound Power Level SWL dB re 1pw								Sound Pressure Level dB at 3 meters
				63	125	250	500	1k	2k	4k	8k	
940	211	1.50	50	76	78	80	78	74	71	67	62	58
810	157	0.96	43	73	75	77	75	71	68	64	59	55
701	118	0.62	37	70	72	74	72	68	65	61	56	52
588	83	0.37	31	66	68	70	68	64	61	57	52	48
470	53	0.19	25	61	63	65	63	59	56	52	47	43



# Roof Axial Vertical Discharge Fan

DVPG-10063



### Impeller

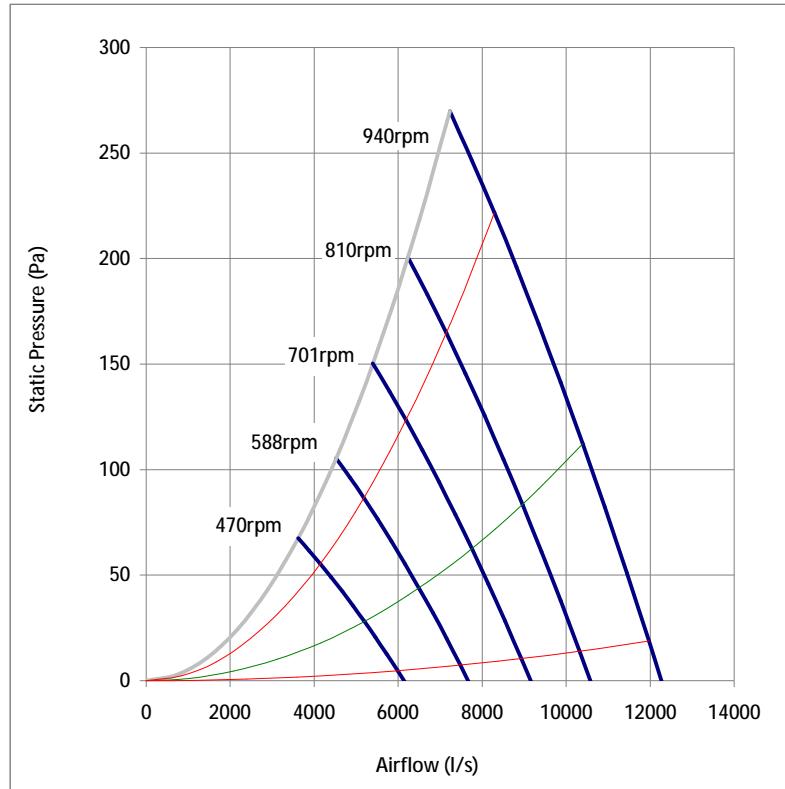
Size 1000 mm  
 Type Axial Arefoil  
 Material Black Composite Material  
 Motor finish Powder Coating RAL7032

### Motor

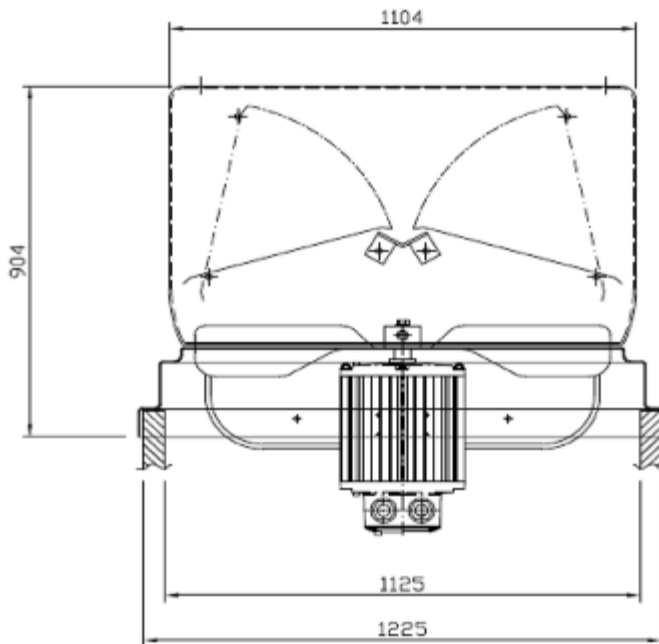
Type IE2 - TEFC  
 IP Rating 55  
 Insulation Class 155  
 Power 4.00 Kw  
 Power Supply 400V/3PH/50Hz  
 Speed 940 RPM  
 FLC 9.00 A  
 Capacitor -  
 Control Variable Speed Drive  
 Protection Thermal Contacts

### Fan

Cowl Galvanised Metal  
 Weight 135 Kg  
 Max. Temp 50 °C

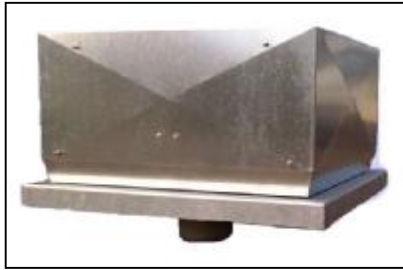


Speed (rpm)	Peak Pressure (Pa)	Peak Power (kw)	Running Frequency	Sound Power Level SWL dB re 1pw								Sound Pressure Level dB at 3 meters
				63	125	250	500	1k	2k	4k	8k	
940	270	4.00	50	88	88	86	85	85	82	78	74	68
810	200	2.56	43	85	85	83	82	82	79	75	71	65
701	150	1.66	37	82	82	80	79	79	76	72	68	62
588	105	0.98	31	78	78	76	75	75	72	68	64	58
470	67	0.50	25	73	73	71	70	70	67	63	59	53



# Roof Axial Vertical Discharge Fan

DVPG-10063



### Impeller

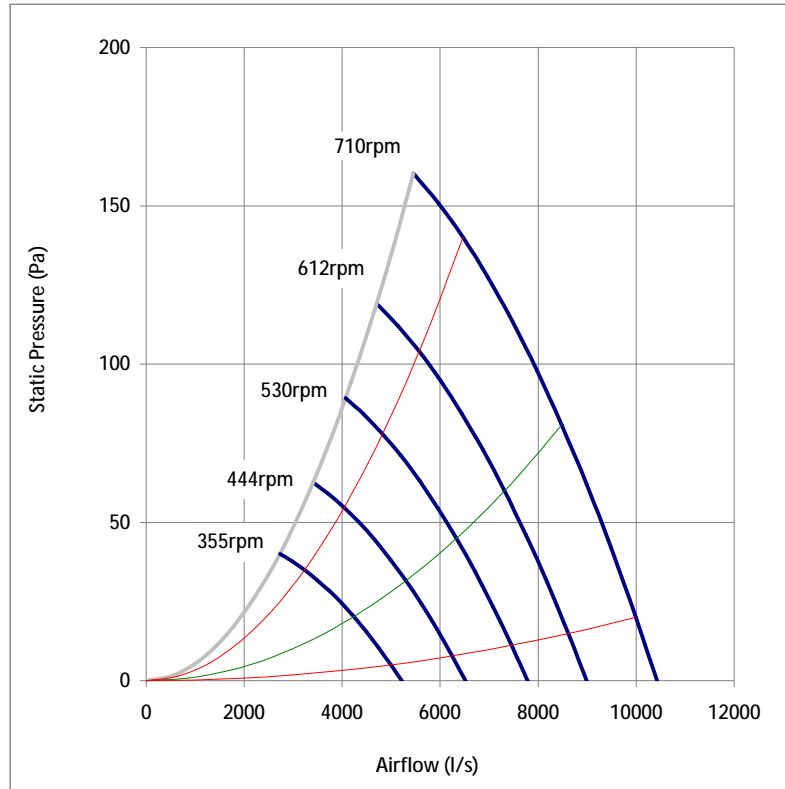
Size 1000 mm  
 Type Axial Arefoil  
 Material Black Composite Material  
 Motor finish Powder Coating RAL7032

### Motor

Type IE2 - TEFC  
 IP Rating 55  
 Insulation Class 155  
 Power 2.20 Kw  
 Power Supply 400V/3PH/50Hz  
 Speed 710 RPM  
 FLC 5.90 A  
 Capacitor -  
 Control Variable Speed Drive  
 Protection Thermal Contacts

### Fan

Cowl Galvanised Metal  
 Weight 135 Kg  
 Max. Temp 50 °C



Speed (rpm)	Peak Pressure (Pa)	Peak Power (kw)	Running Frequency	Sound Power Level SWL dB re 1pw								Sound Pressure Level dB at 3 meters
				63	125	250	500	1k	2k	4k	8k	
710	160	2.20	50	83	83	81	80	80	76	72	67	63
612	119	1.41	43	80	80	78	77	77	73	69	64	60
530	89	0.91	37	77	77	75	74	74	70	66	61	57
444	63	0.54	31	73	73	71	70	70	66	62	57	53
355	40	0.28	25	68	68	66	65	65	61	57	52	48

