



PSCR

- Roof Mount Centrifugal Extract Fan
- With External Rotor

SPECIFICATION

Sizes

250, 280, 310, 315, 350, 400, 450, 500, 560, 630mm diameter

Fan Performance

The fan is of low noise and high static efficiency design. The impeller is designed to give excellent performance characteristic with high static pressure development with out stall

Impellers

Ziehl-Abegg Vpro low noise high efficiency centrifugal fan with profiled blades. The impellers are manufactured from black composite material and balanced according to ISO1940.

MOTORS

Ziehl-Abegg asynchronous external rotor motors. Motor enclosure to feature IP54 protection . Motor winding insulation are to incorporate thermal class 155 as standard. Motor bearings are to be of maintenance free ball bearing design. Auto-reset thermal contacts are provided as standard.

Casing

Cowl and base of the fans are of UV stabilised fibreglass or Rovel. Impeller/motor assembly to be supported by a galvanised steel. Bird mesh to be fit as standard.



Ziehl-Abegg Vpro external rotor

Roof Centrifugal Downflow Fan

PSCR-1921



Impeller

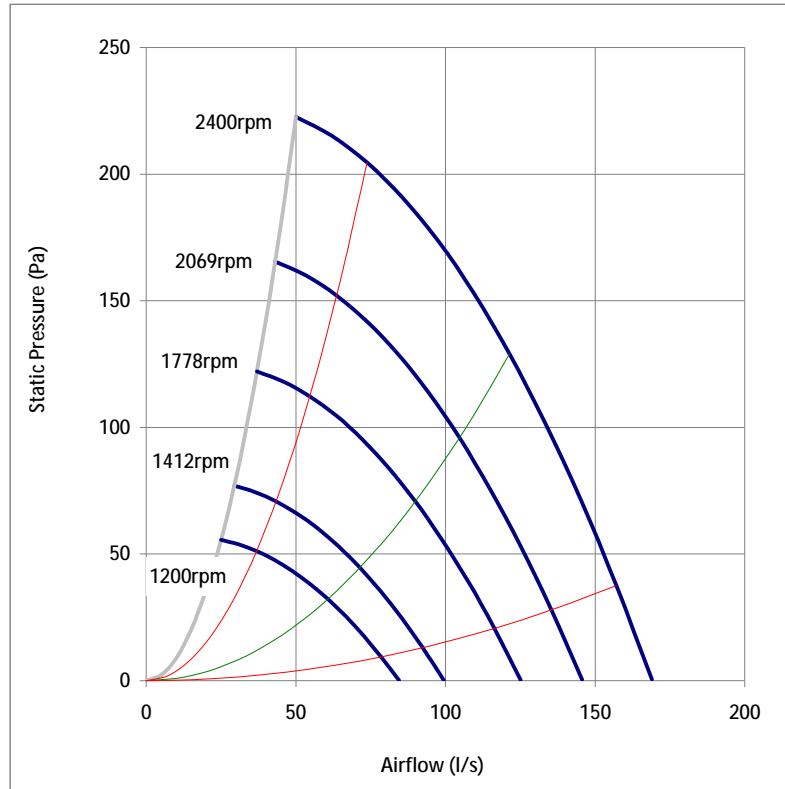
Size 190 mm
 Type Backward Arefoil Curve
 Material Steel
 Motor finish Powder Coating RAL7032

Motor

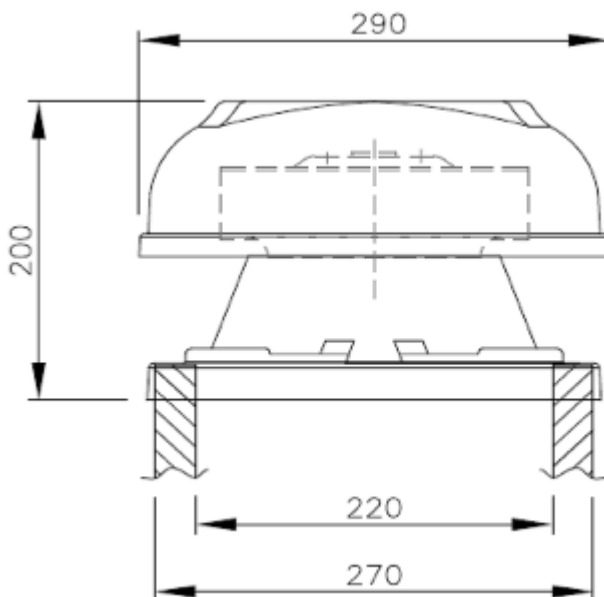
Type External Rotor
 IP Rating 44
 Insulation Class 155
 Power 0.07 Kw
 Power Supply 230V/1PH/50Hz
 Speed 2400
 FLC 0.29 A
 Capacitor 2 µF
 Control RE1.5, 5 Step Controller
 Protection Thermal Contacts

Fan

Cowl Rovel UV Stabilised
 Weight 2.5 Kg
 Max. Temp 50 °C



Speed (rpm)	Peak Pressure (Pa)	Peak Power (kw)	Motor Running Voltage (V)	Sound Power Level SWL (dB re 1pw)								Sound Pressure Level (dB at 3 meters)
				63	125	250	500	1k	2k	4k	8k	
2400	223	0.07	230	61	61	64	63	62	58	57	46	45
2069	165	0.04	200	57	58	60	59	59	55	54	43	42
1778	122	0.03	170	54	55	57	56	56	51	51	40	38
1412	77	0.01	130	49	50	52	51	51	46	46	35	33
1200	56	0.01	110	46	46	49	47	47	43	42	31	30



Roof Centrifugal Downflow Fan

PSCR-2521



Impeller

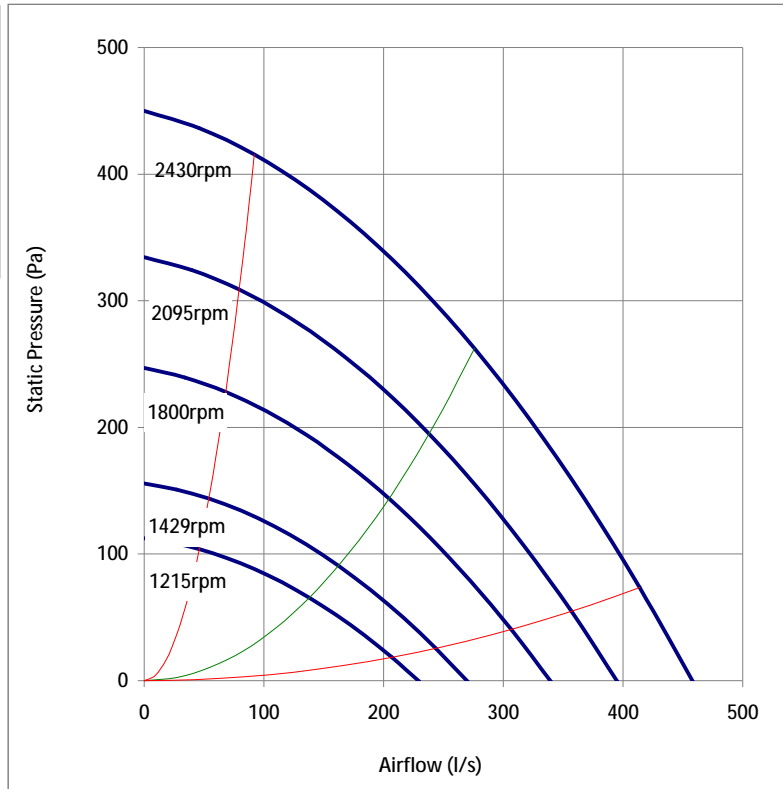
Size 250 mm
 Type Backward Arefoil Curve
 Material Black Composite Material
 Motor finish Powder Coating RAL7032

Motor

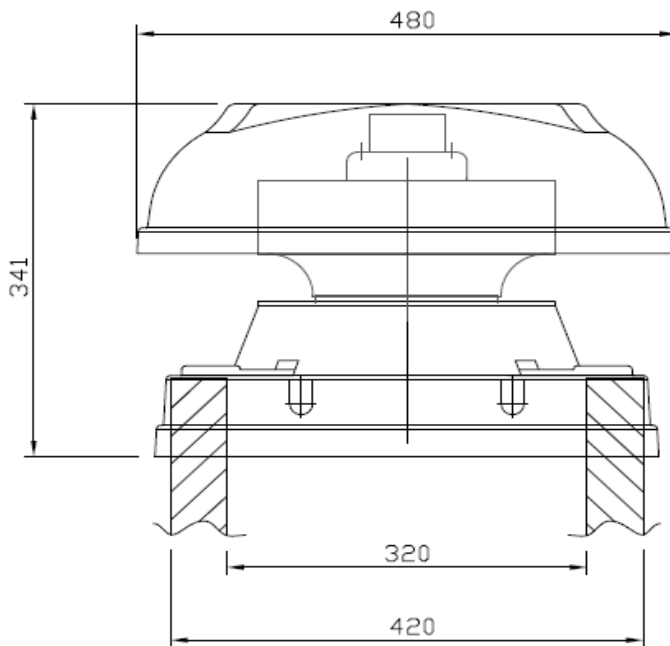
Type External Rotor
 IP Rating 44
 Insulation Class 155
 Power 0.22 Kw
 Power Supply 230V/1PH/50Hz
 Speed 2430 RPM
 FLC 0.96 A
 Capacitor 8 µF
 Control RE1.5, 5 Step Controller
 Protection Thermal Contacts

Fan

Cowl Rovel UV Stabilised
 Weight 8 Kg
 Max. Temp 50 °C



Speed (rpm)	Peak Pressure (Pa)	Peak Power (kw)	Motor Running Voltage (V)	Sound Power Level SWL dB re 1pw								Sound Pressure Level dB at 3 meters
				63	125	250	500	1k	2k	4k	8k	
2430	450	0.22	230	68	72	69	68	66	64	63	56	53
2095	334	0.14	200	65	69	66	65	63	61	60	53	50
1800	247	0.09	170	61	65	62	61	59	57	56	49	46
1429	156	0.04	130	56	60	57	56	54	52	51	44	41
1215	113	0.03	110	53	57	54	53	51	49	48	41	38



Roof Centrifugal Downflow Fan

PSCR-2541



Impeller

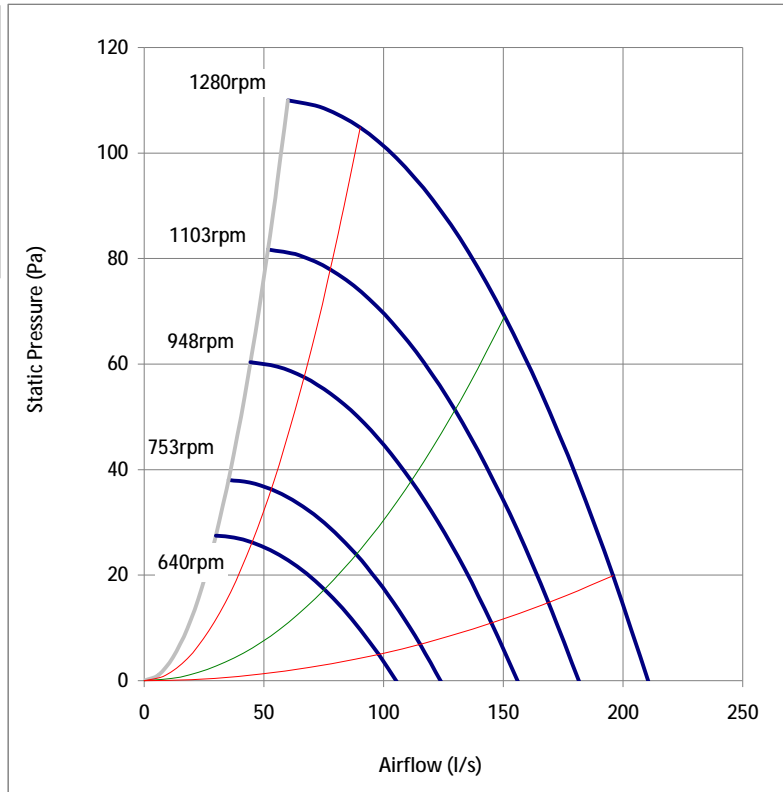
Size 250 mm
 Type Backward Arefoil Curve
 Material Steel
 Motor finish Powder Coating RAL7032

Motor

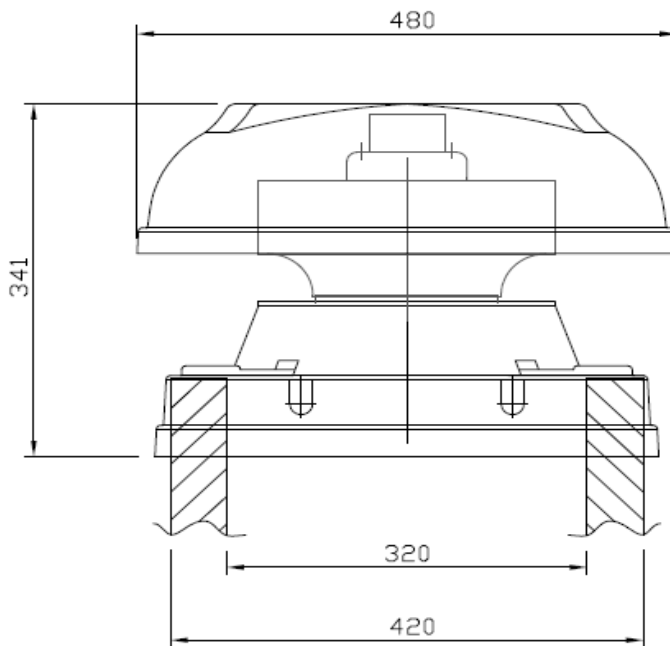
Type External Rotor
 IP Rating 44
 Insulation Class 155
 Power 0.05 Kw
 Power Supply 230V/1PH/50Hz
 Speed 1280
 FLC 0.24 A
 Capacitor 1.5 µF
 Control RE1.5, 5 Step Controller
 Protection Thermal Contacts

Fan

Cowl Rovel UV Stabilised
 Weight 3.5 Kg
 Max. Temp 50 °C



Speed (rpm)	Peak Pressure (Pa)	Peak Power (kw)	Motor Running Voltage (V)	Sound Power Level SWL dB re 1pw								Sound Pressure Level dB at 3 meters
				63	125	250	500	1k	2k	4k	8k	
1280	110	0.05	230	58	57	58	55	53	51	48	39	37
1103	82	0.03	200	55	54	55	52	50	48	45	36	34
948	60	0.02	170	51	50	51	48	46	44	41	32	30
753	38	0.01	130	46	45	46	43	41	39	36	27	25
640	27	0.01	110	43	42	43	40	38	36	33	24	22



Roof Centrifugal Downflow Fan

PSCR-2821



Impeller

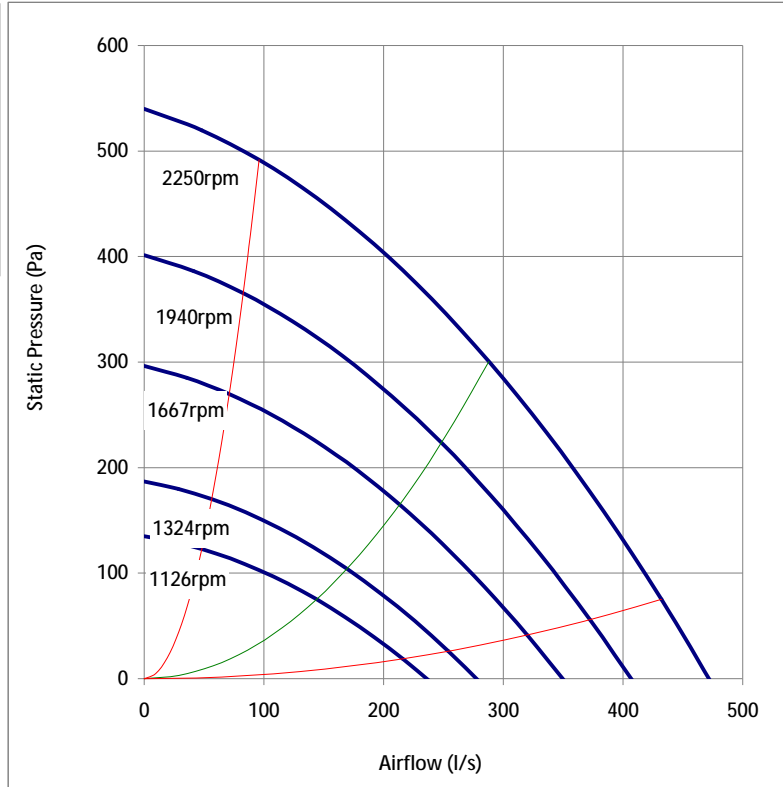
Size 280 mm
 Type Backward Arefoil Curve
 Material Black Composite Material
 Motor finish Powder Coating RAL7032

Motor

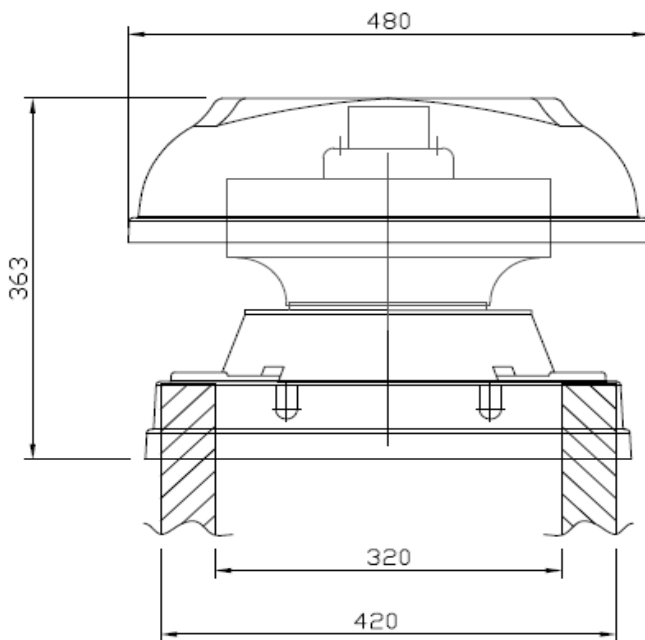
Type External Rotor
 IP Rating 44
 Insulation Class 155
 Power 0.29 Kw
 Power Supply 230V/1PH/50Hz
 Speed 2250 RPM
 FLC 1.24A
 Capacitor 8 µF
 Control RE1.5, 5 Step Controller
 Protection Thermal Contacts

Fan

Case Rovel UV Stabilised
 Weight 8 Kg
 Max. Temp 50 °C



Speed (rpm)	Peak Pressure (Pa)	Peak Power (kw)	Motor Running Voltage (V)	Sound Power Level SWL dB re 1pw								Sound Pressure Level dB at 3 meters
				63	125	250	500	1k	2k	4k	8k	
2250	540	0.29	230	73	74	73	71	68	67	67	54	53
1940	401	0.19	200	70	71	70	68	65	64	64	51	50
1667	296	0.12	170	66	67	66	64	61	60	60	47	46
1324	187	0.06	130	61	62	61	59	56	55	55	42	41
1125	135	0.04	110	58	59	58	56	53	52	52	39	38



Roof Centrifugal Downflow Fan

PSCR-2841



Impeller

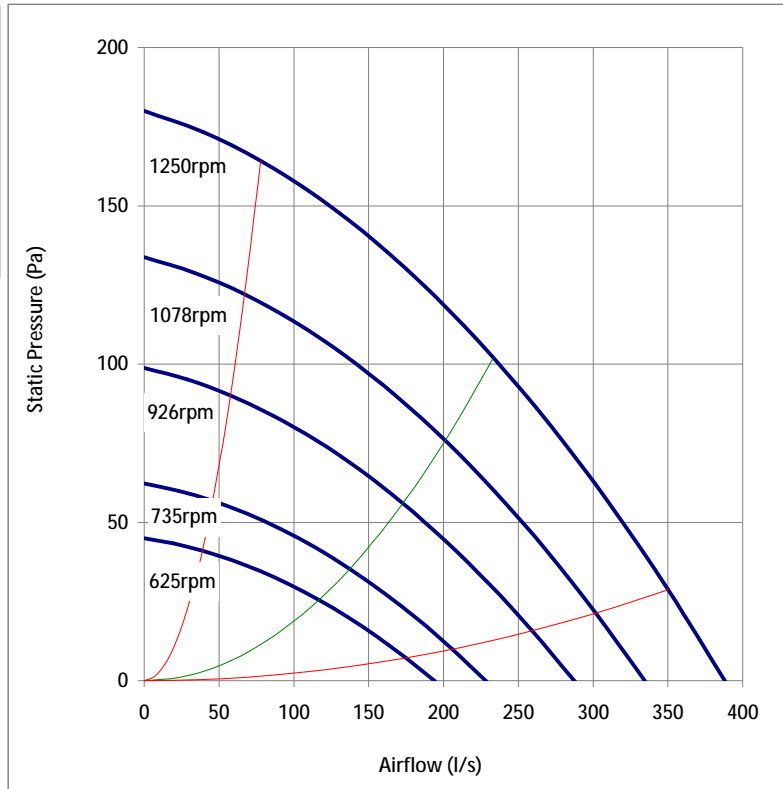
Size 280 mm
 Type Backward Arefoil Curve
 Material Black Composite Material
 Motor finish Powder Coating RAL7032

Motor

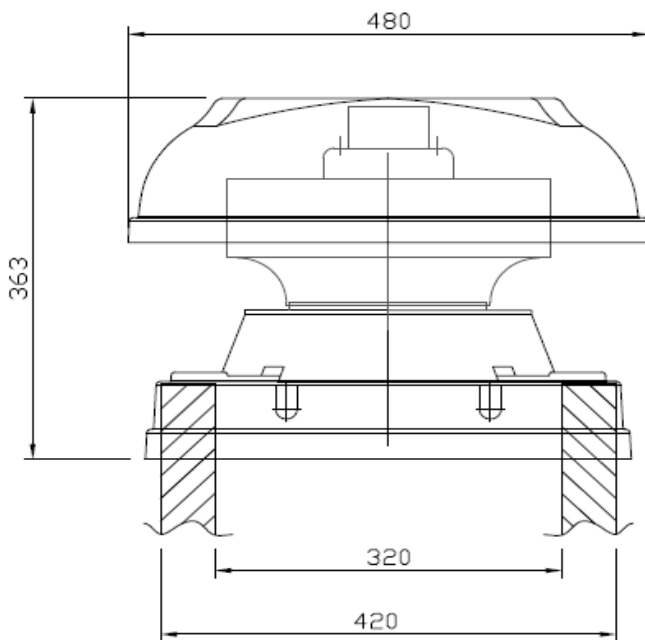
Type External Rotor
 IP Rating 44
 Insulation Class 155
 Power 0.09 Kw
 Power Supply 230V/1PH/50Hz
 Speed 1250 RPM
 FLC 0.41A
 Capacitor 2.5 µF
 Control RE1.5, 5 Step Controller
 Protection Thermal Contacts

Fan

Cowl Rovel UV Stabilised
 Weight 8 Kg
 Max. Temp 50 °C



Speed (rpm)	Peak Pressure (Pa)	Peak Power (kw)	Motor Running Voltage (V)	Sound Power Level SWL dB re 1pw								Sound Pressure Level dB at 3 meters
				63	125	250	500	1k	2k	4k	8k	
1250	180	0.09	230	60	61	60	58	55	54	54	41	41
1078	134	0.06	200	57	58	57	55	52	51	51	38	38
926	99	0.04	170	53	54	53	51	48	47	47	34	34
735	62	0.02	130	48	49	48	46	43	42	42	29	29
625	45	0.01	110	45	46	45	43	40	39	39	26	26



Roof Centrifugal Downflow Fan

PSCR-3141



Impeller

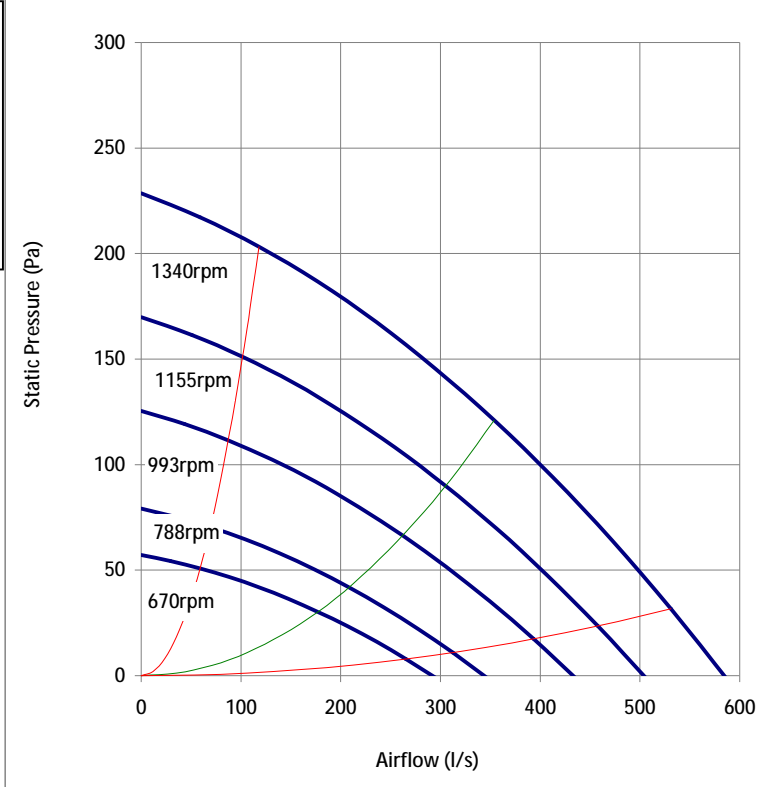
Size 310 mm
 Type Backward Arefoil Curve
 Material Black Composite Material
 Motor finish Powder Coating RAL7032

Motor

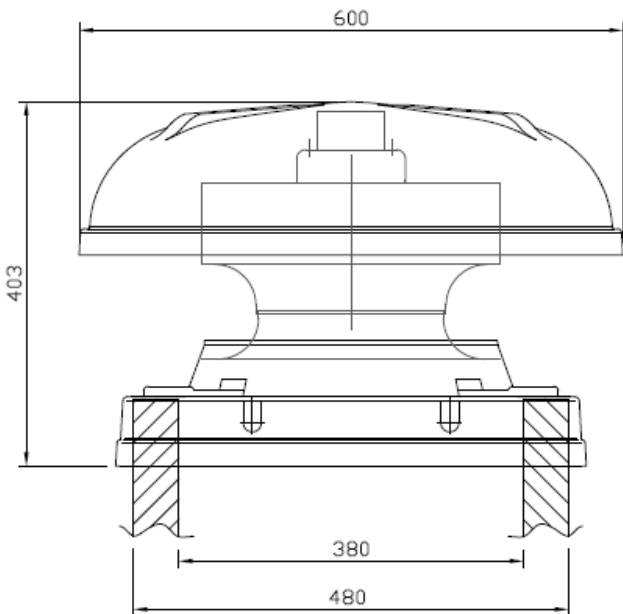
Type External Rotor
 IP Rating 54
 Insulation Class 155
 Power 0.18 Kw
 Power Supply 230V/1PH/50Hz
 Speed 1420 RPM
 FLC 0.8 A
 Capacitor 5 µF
 Control RE1.5, 5 Step Controller
 Protection Thermal Contacts

Fan

Cowl Rovel UV Stabilised
 Weight 15 kg
 Max. Temp 50 °C



Speed (rpm)	Peak Pressure (Pa)	Peak Power (kw)	Motor Running Voltage (V)	Sound Power Level SWL (dB re 1pw)								Sound Pressure Level (dB at 3 meters)
				63	125	250	500	1k	2k	4k	8k	
1340	229	0.18	230	62	64	61	67	62	57	52	51	41
1155	170	0.12	200	59	61	58	64	59	54	49	48	38
993	125	0.07	170	55	57	54	60	55	50	45	44	34
788	79	0.04	130	50	52	49	55	50	45	40	39	29
670	57	0.02	110	47	49	46	52	47	42	37	36	26



Roof Centrifugal Downflow Fan

PSCR-3143



Impeller

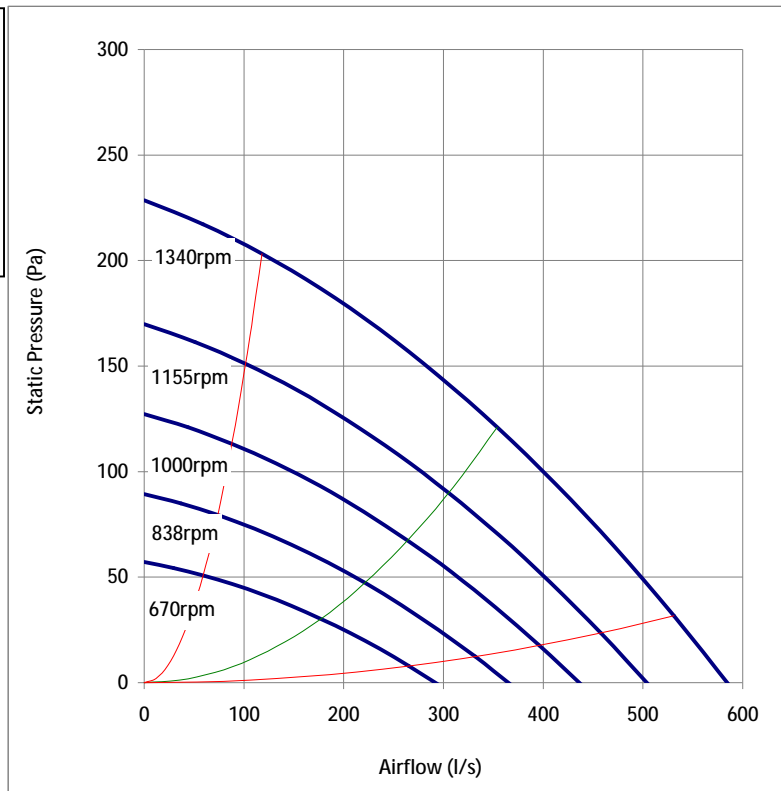
Size 310 mm
 Type Backward Arefoil Curve
 Material Black Composite Material
 Motor finish Powder Coating RAL7032

Motor

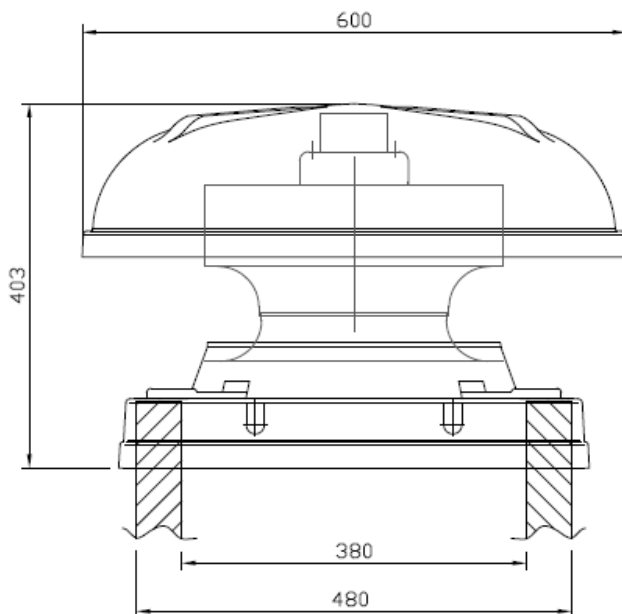
Type External Rotor
 IP Rating 54
 Insulation Class 155
 Power 0.14 Kw
 Power Supply 400V/3PH/50Hz
 Speed 1340 RPM
 FLC 0.29 A
 Capacitor -
 Control Variable Frequency Drive
 Protection Thermal Contacts

Fan

Cowl Rovel UV Stabilised
 Weight 15 Kg
 Max. Temp 50 °C



Speed (rpm)	Peak Pressure (Pa)	Peak Power (kw)	Running Frequency	Sound Power Level SWL (dB re 1pw)								Sound Pressure Level (dB at 3 meters)
				63	125	250	500	1k	2k	4k	8k	
1340	229	0.14	50	62	64	61	67	62	57	52	51	41
1155	170	0.09	43	59	61	58	64	59	54	49	48	38
1000	127	0.06	37	56	58	55	61	56	51	46	45	35
838	89	0.03	31	52	54	51	57	52	47	42	41	31
670	57	0.02	25	47	49	46	52	47	42	37	36	26



Roof Centrifugal Downflow Fan

PSCR-3541



Impeller

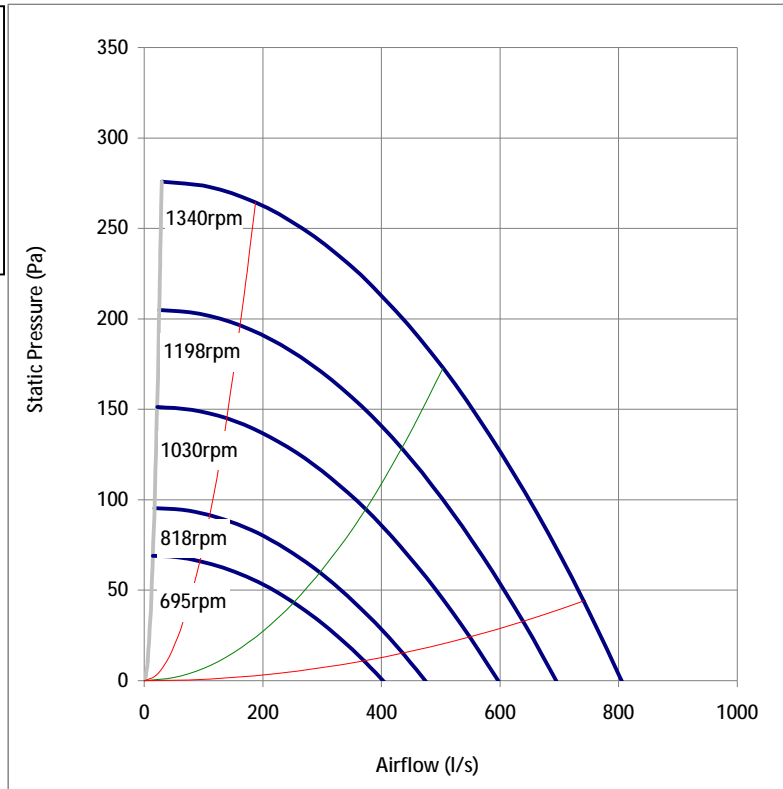
Size 350 mm
 Type Backward Arefoil Curve
 Material Black Composite Material
 Motor finish Powder Coating RAL7032

Motor

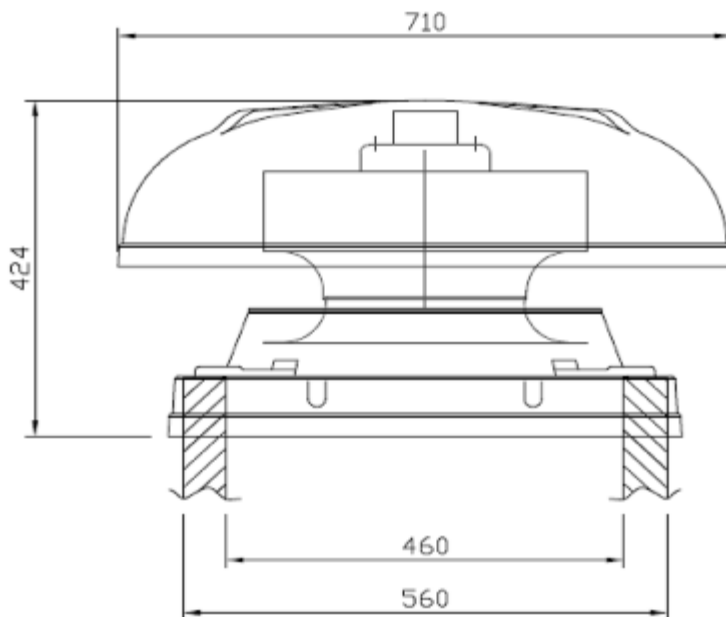
Type External Rotor
 IP Rating 54
 Insulation Class 155
 Power 0.27 Kw
 Power Supply 230V/1PH/50Hz
 Speed 1390 RPM
 FLC 1.3 A
 Capacitor 6 µF
 Control RE1.5, 5 Step Controller
 Protection Thermal Contacts

Fan

Cowl Rovel UV Stabilised
 Weight 23 Kg
 Max. Temp 50 °C



Speed (rpm)	Peak Pressure (Pa)	Peak Power (kw)	Motor Running Voltage (V)	Sound Power Level SWL dB re 1pw								Sound Pressure Level dB at 3 meters
				63	125	250	500	1k	2k	4k	8k	
1390	276	0.27	230	66	70	62	59	56	51	53	51	42
1198	205	0.17	200	63	67	59	56	53	48	50	48	39
1030	151	0.11	170	59	63	55	52	49	44	46	44	35
818	95	0.05	130	54	58	50	47	44	39	41	39	30
695	69	0.03	110	51	55	47	44	41	36	38	36	27



Roof Centrifugal Downflow Fan

PSCR-3543



Impeller

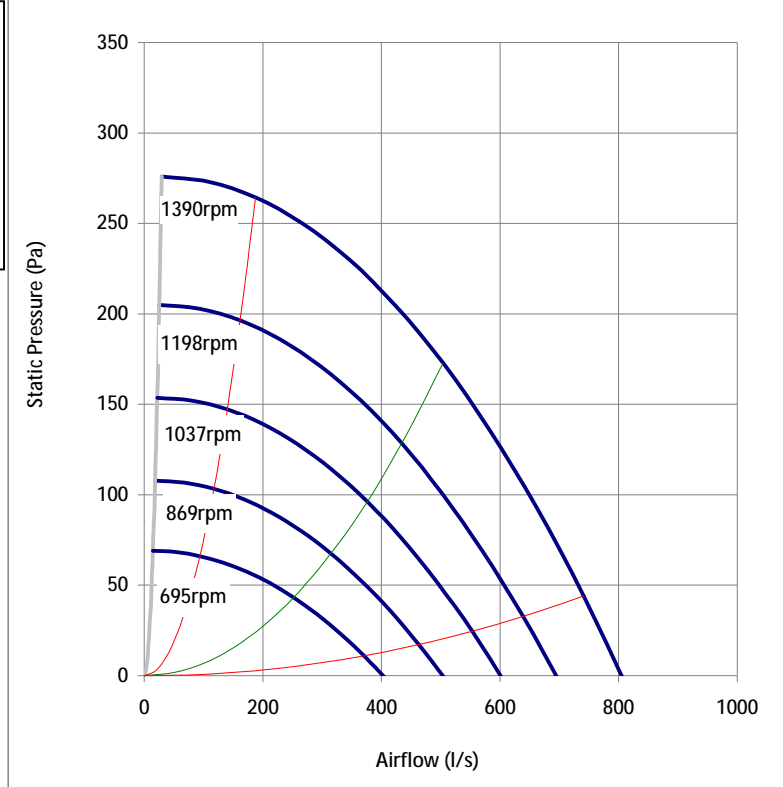
Size 350 mm
 Type Backward Arefoil Curve
 Material Black Composite Material
 Motor finish Powder Coating RAL7032

Motor

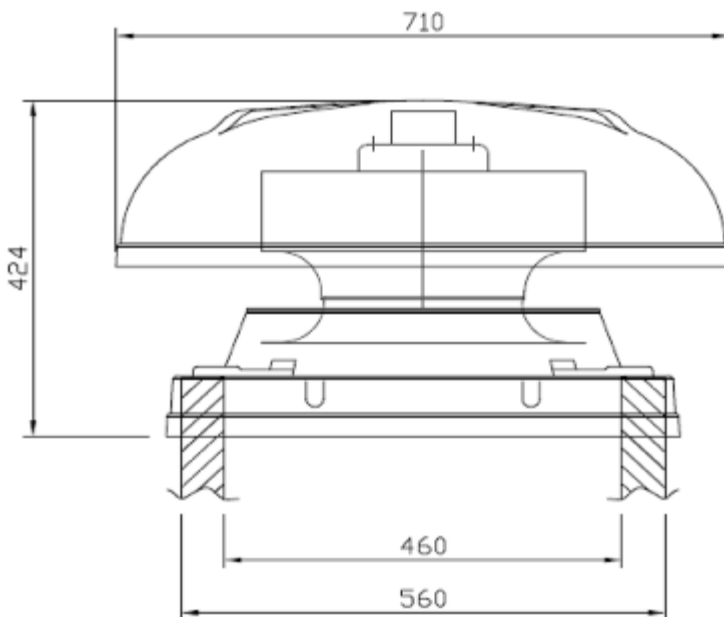
Type External Rotor
 IP Rating 54
 Insulation Class 155
 Power 0.24 Kw
 Power Supply 400V/3PH/50Hz
 Speed 1390 RPM
 FLC 0.47 A
 Capacitor -
 Control Variable Frequency Drive
 Protection Thermal Contacts

Fan

Cowl Rovel UV Stabilised
 Weight 23 Kg
 Max. Temp 50 °C



Speed (rpm)	Peak Pressure (Pa)	Peak Power (kw)	Running Frequency	Sound Power Level SWL dB re 1pw								Sound Pressure Level dB at 3 meters
				63	125	250	500	1k	2k	4k	8k	
1390	276	0.24	50	66	70	62	59	56	51	53	51	41
1198	205	0.15	43	63	67	59	56	53	48	50	48	38
1037	154	0.10	37	60	64	56	53	50	45	47	45	35
869	108	0.06	31	56	60	52	49	46	41	43	41	31
695	69	0.03	25	51	55	47	44	41	36	38	36	26



Roof Centrifugal Downflow Fan

PSCR-3561



Impeller

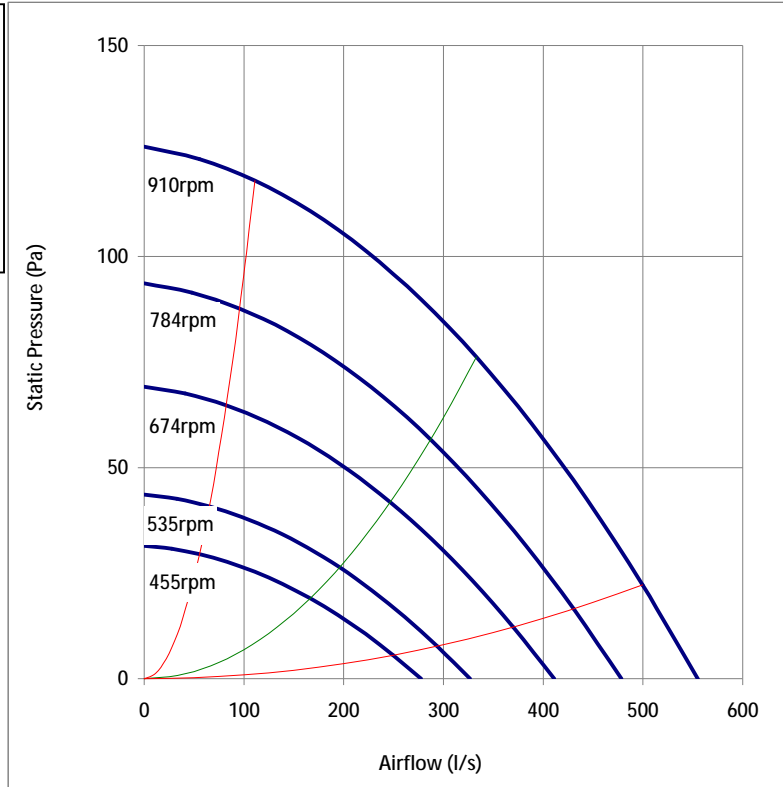
Size 350 mm
 Type Backward Arefoil Curve
 Material Black Composite Material
 Motor finish Powder Coating RAL7032

Motor

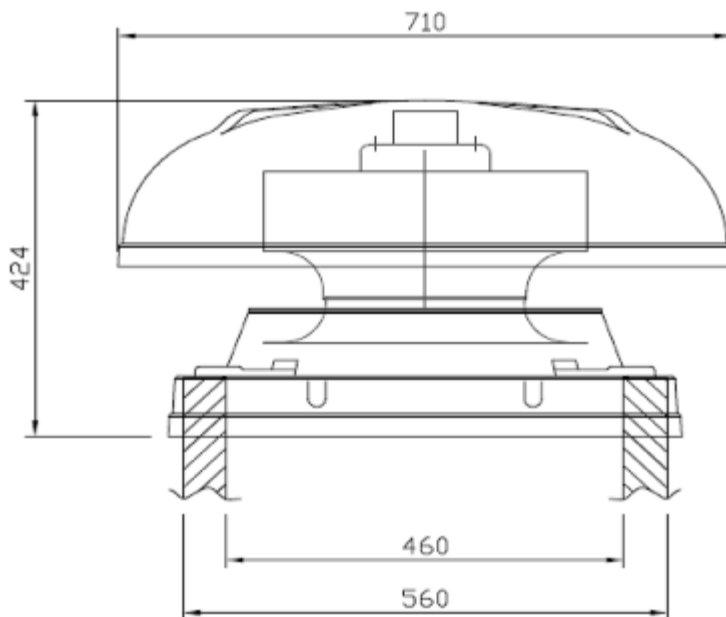
Type External Rotor
 IP Rating 54
 Insulation Class 155
 Power 0.11 Kw
 Power Supply 230V/1PH/50Hz
 Speed 910 RPM
 FLC 0.49 A
 Capacitor 4 µF
 Control RE1.5, 5 Step Controller
 Protection Thermal Contacts

Fan

Cowl Rovel UV Stabilised
 Weight 23 Kg
 Max. Temp 50 °C



Speed (rpm)	Peak Pressure (Pa)	Peak Power (kw)	Motor Running Voltage (V)	Sound Power Level SWL dB re 1pw								Sound Pressure Level dB at 3 meters
				63	125	250	500	1k	2k	4k	8k	
910	126	0.11	230	59	63	55	52	49	44	46	44	35
784	94	0.07	200	56	60	52	49	46	41	43	41	32
674	69	0.04	170	52	56	48	45	42	37	39	37	28
535	44	0.02	130	47	51	43	40	37	32	34	32	23
455	32	0.01	110	44	48	40	37	34	29	31	29	20



Roof Centrifugal Downflow Fan

PSCR-401



Impeller

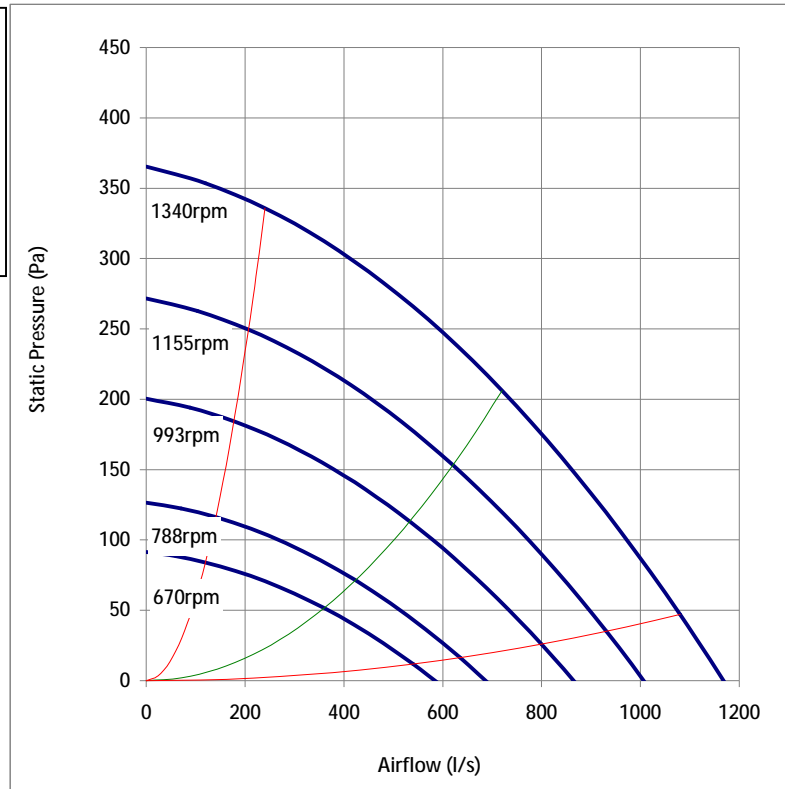
Size 400 mm
 Type Backward Arefoil Curve
 Material Black Composite Material
 Motor finish Powder Coating RAL7032

Motor

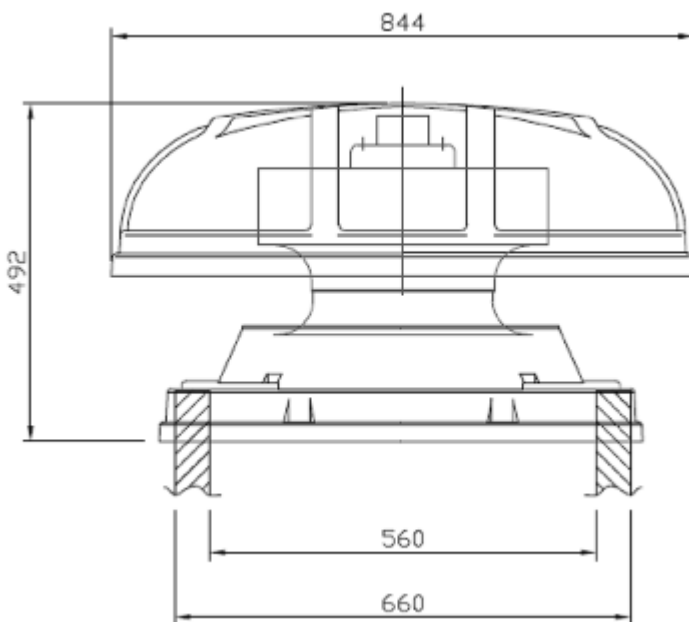
Type External Rotor
 IP Rating 54
 Insulation Class 155
 Power 0.49 Kw
 Power Supply 230V/1PH/50Hz
 Speed 1340 RPM
 FLC 2.5 A
 Capacitor 12 µF
 Control RE3.5, 5 Step Controller
 Protection Thermal Contacts

Fan

Cowl Rovel UV Stabilised
 Weight 26 Kg
 Max. Temp 50 °C



Speed (rpm)	Peak Pressure (Pa)	Peak Power (kw)	Motor Running Voltage (V)	Sound Power Level SWL dB re 1pw								Sound Pressure Level dB at 3 meters
				63	125	250	500	1k	2k	4k	8k	
1340	365	0.49	230	63	68	63	62	55	52	48	53	42
1155	272	0.31	200	60	65	60	59	52	49	45	50	39
993	200	0.20	170	56	61	56	55	48	45	41	46	35
788	126	0.10	130	51	56	51	50	43	40	36	41	30
670	91	0.06	110	48	53	48	47	40	37	33	38	27



Roof Centrifugal Downflow Fan

PSCR-4043



Impeller

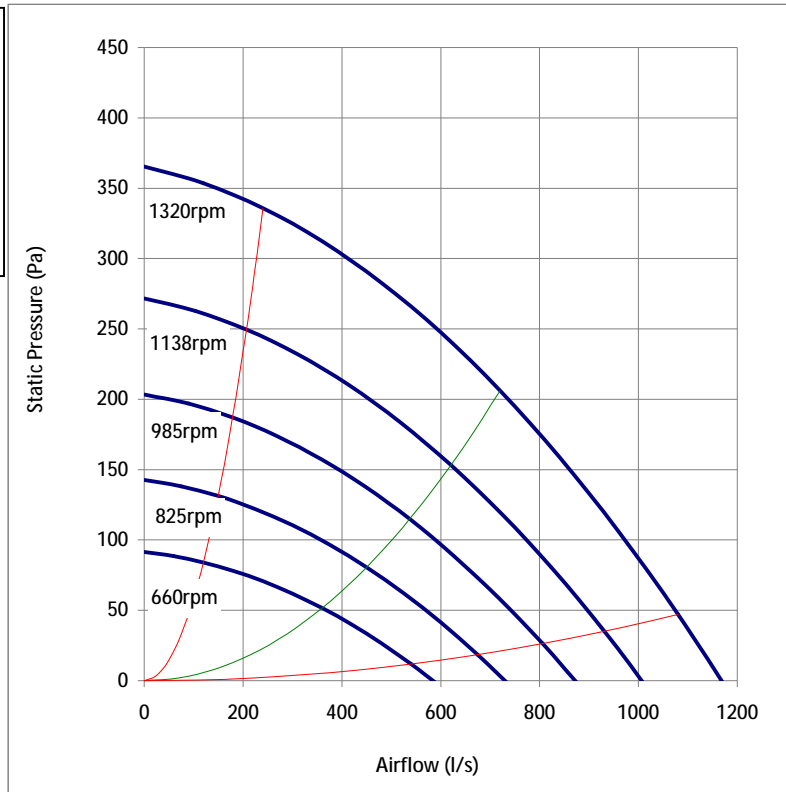
Size 400 mm
 Type Backward Arefoil Curve
 Material Black Composite Material
 Motor finish Powder Coating RAL7032

Motor

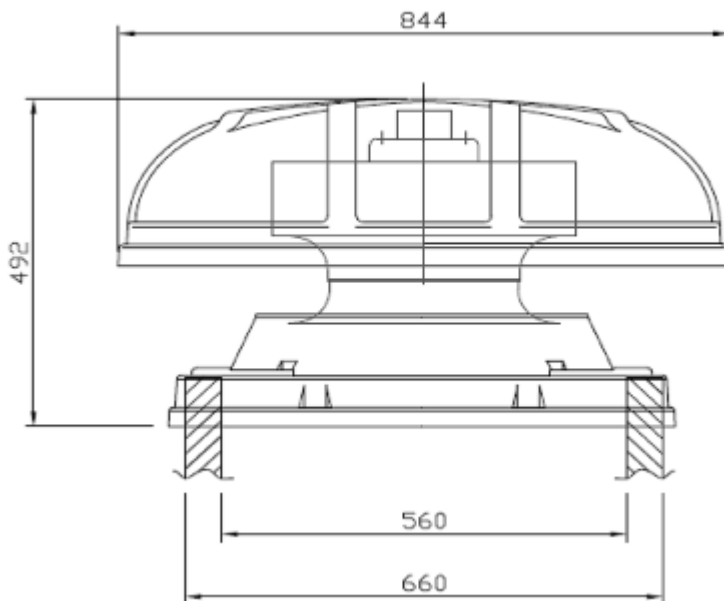
Type External Rotor
 IP Rating 54
 Insulation Class 155
 Power 0.44 Kw
 Power Supply 400V/3PH/50Hz
 Speed 1320 RPM
 FLC 0.75 A
 Capacitor -
 Control Variable Frequency Drive
 Protection Thermal Contacts

Fan

Cowl Rovel UV Stabilised
 Weight 26 Kg
 Max. Temp 50 °C



Speed (rpm)	Peak Pressure (Pa)	Peak Power (kw)	Running Frequency	Sound Power Level SWL dB re 1pw								Sound Pressure Level dB at 3 meters
				63	125	250	500	1k	2k	4k	8k	
1320	365	0.44	50	63	68	63	62	55	52	48	53	42
1138	272	0.28	43	60	65	60	59	52	49	45	50	39
985	203	0.18	37	57	62	57	56	49	46	42	47	36
825	143	0.11	31	53	58	53	52	45	42	38	43	32
660	91	0.06	25	48	53	48	47	40	37	33	38	27



Roof Centrifugal Downflow Fan

PSCR-4061



Impeller

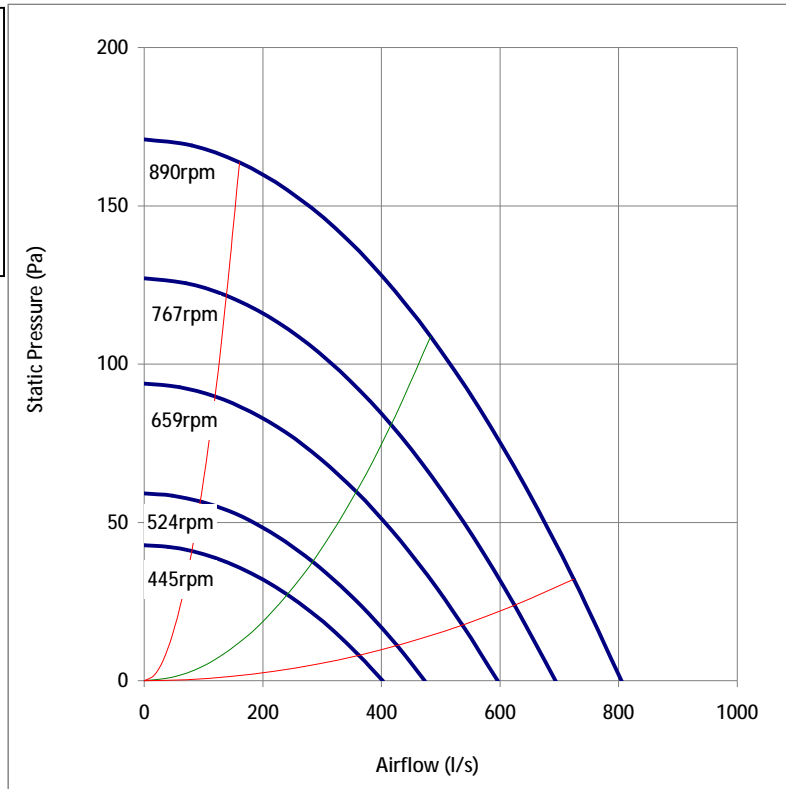
Size 400 mm
 Type Backward Arefoil Curve
 Material Black Composite Material
 Motor finish Powder Coating RAL7032

Motor

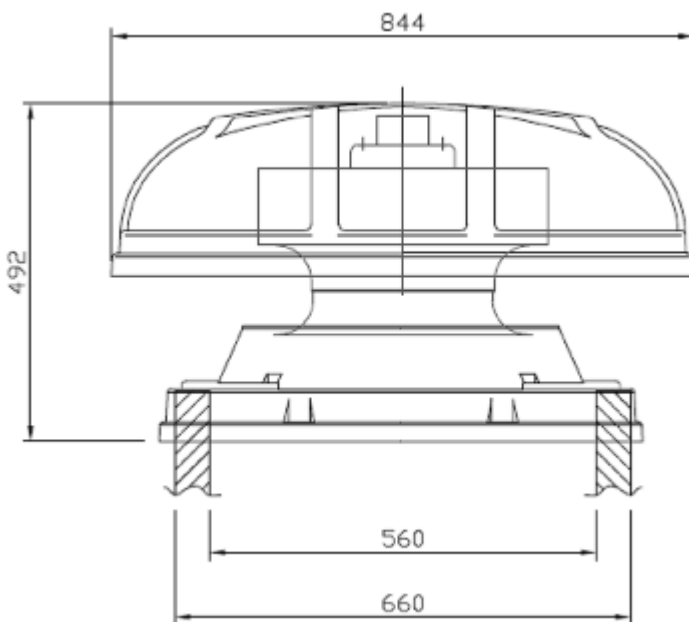
Type External Rotor
 IP Rating 54
 Insulation Class 155
 Power 0.17 Kw
 Power Supply 230V/1PH/50Hz
 Speed 890 RPM
 FLC 0.76 A
 Capacitor 6 µF
 Control RE1.5, 5 Step Controller
 Protection Thermal Contacts

Fan

Cowl Rovel UV Stabilised
 Weight 26 Kg
 Max. Temp 50 °C



Speed (rpm)	Peak Pressure (Pa)	Peak Power (kw)	Motor Running Voltage (V)	Sound Power Level SWL dB re 1pw								Sound Pressure Level dB at 3 meters
				63	125	250	500	1k	2k	4k	8k	
890	171	0.17	230	56	61	56	55	48	45	41	44	36
767	127	0.11	200	53	58	53	52	45	42	38	41	33
659	94	0.07	170	49	54	49	48	41	38	34	37	29
524	59	0.03	130	44	49	44	43	36	33	29	32	24
445	43	0.02	110	41	46	41	40	33	30	26	29	21



Roof Centrifugal Downflow Fan

PSCR-4541



Impeller

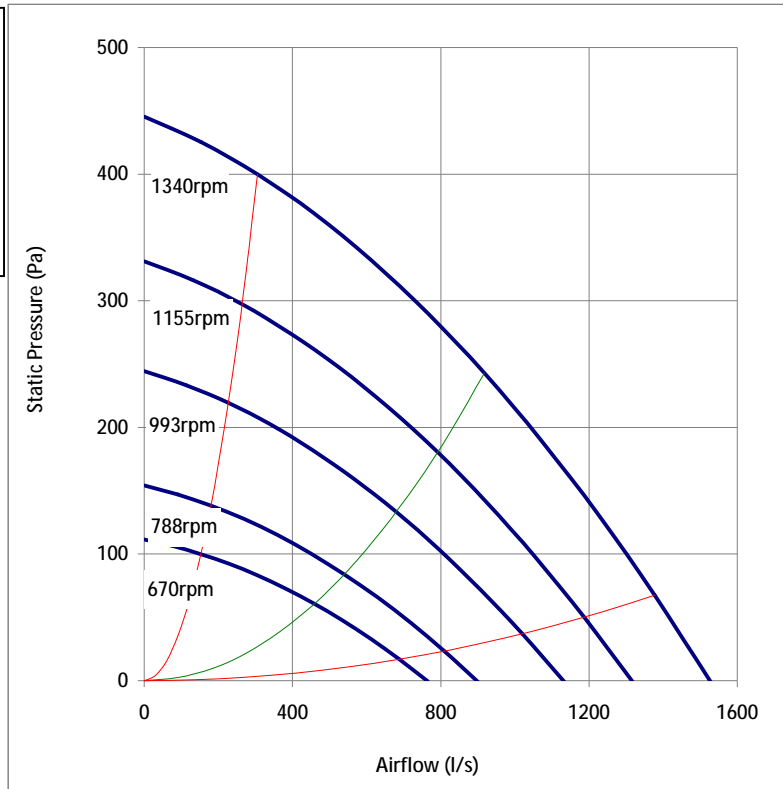
Size 450 mm
 Type Backward Arefoil Curve
 Material Black Composite Material
 Motor finish Powder Coating RAL7032

Motor

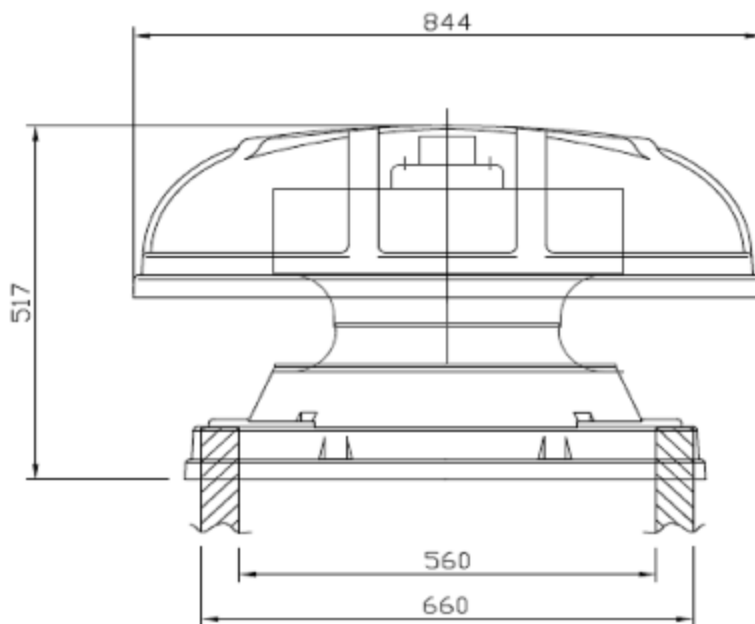
Type External Rotor
 IP Rating 54
 Insulation Class 155
 Power 0.77 Kw
 Power Supply 230V/1PH/50Hz
 Speed 1340 RPM
 FLC 3.60 A
 Capacitor 20 µF
 Control RE7.5, 5 Step Controller
 Protection Thermal Contacts

Fan

Cowl Rovel UV Stabilised
 Weight 28 Kg
 Max. Temp 50 °C



Speed (rpm)	Peak Pressure (Pa)	Peak Power (kw)	Motor Running Voltage (V)	Sound Power Level SWL dB re 1pw								Sound Pressure Level dB at 3 meters
				63	125	250	500	1k	2k	4k	8k	
1340	446	0.77	230	68	71	71	64	57	53	49	51	48
1155	331	0.49	200	65	68	68	61	54	50	46	48	45
993	244	0.31	170	61	64	64	57	50	46	42	44	41
788	154	0.16	130	56	59	59	52	45	41	37	39	36
670	111	0.10	110	53	56	56	49	42	38	34	36	33



Roof Centrifugal Downflow Fan

PSCR-4543



Impeller

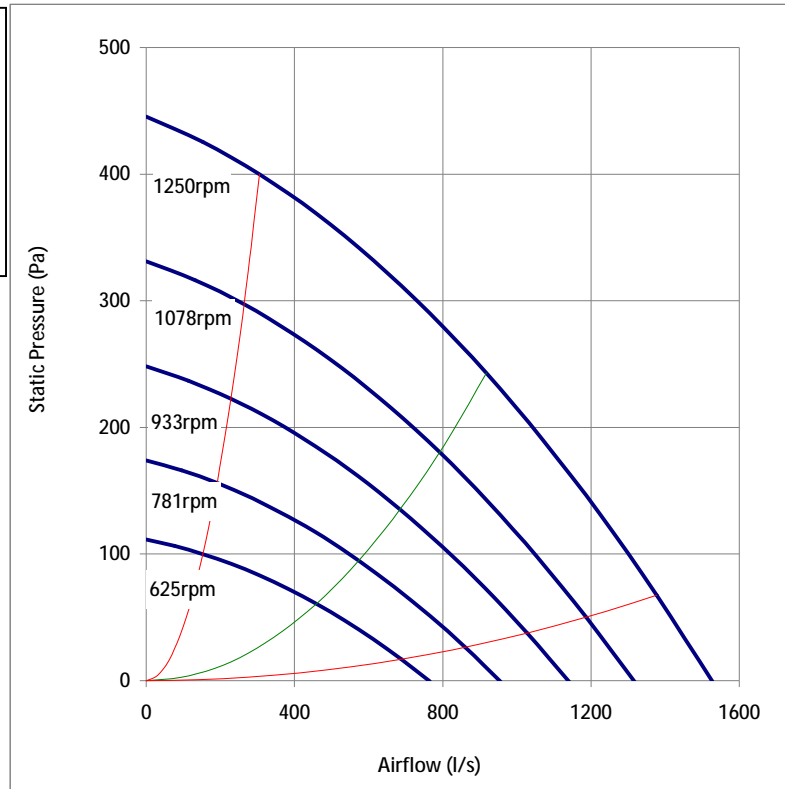
Size 450 mm
 Type Backward Arefoil Curve
 Material Black Composite Material
 Motor finish Powder Coating RAL7032

Motor

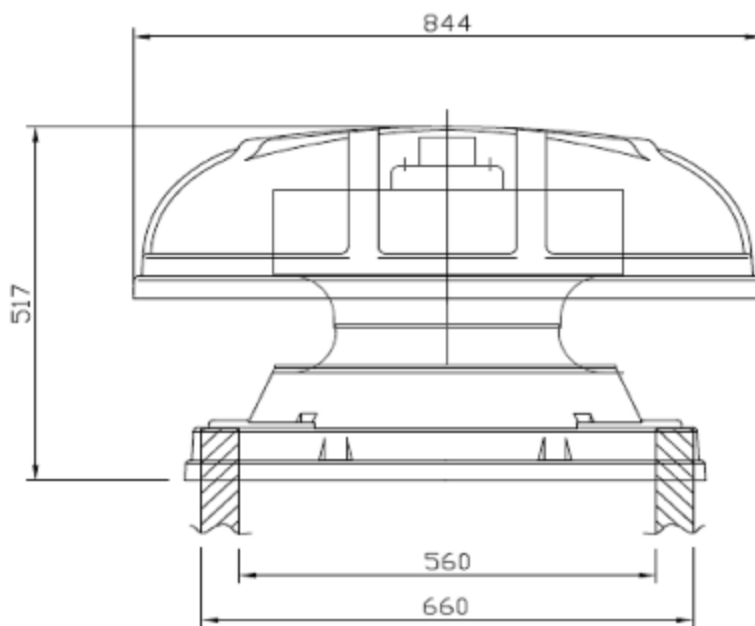
Type External Rotor
 IP Rating 54
 Insulation Class 155
 Power 0.65 Kw
 Power Supply 400V/3PH/50Hz
 Speed 1250 RPM
 FLC 1.30 A
 Capacitor -
 Control Variable Speed Drive
 Protection Thermal Contacts

Fan

Cowl Rovel UV Stabilised
 Weight 28 Kg
 Max. Temp 50 °C



Speed (rpm)	Peak Pressure (Pa)	Peak Power (kw)	Running Frequency	Sound Power Level SWL dB re 1pw								Sound Pressure Level dB at 3 meters
				63	125	250	500	1k	2k	4k	8k	
1250	446	0.65	50	68	71	71	64	57	53	49	51	48
1078	331	0.42	43	65	68	68	61	54	50	46	48	45
933	248	0.27	37	62	65	65	58	51	47	43	45	42
781	174	0.16	31	58	61	61	54	47	43	39	41	38
625	111	0.08	25	53	56	56	49	42	38	34	36	33



Roof Centrifugal Downflow Fan

PSCR-4561



Impeller

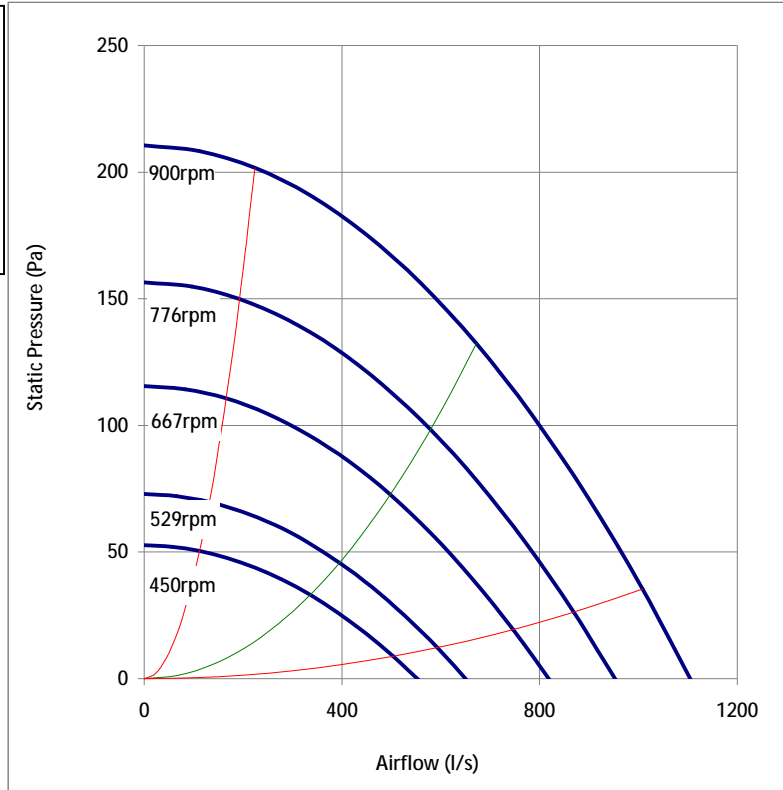
Size 450 mm
 Type Backward Arefoil Curve
 Material Black Composite Material
 Motor finish Powder Coating RAL7032

Motor

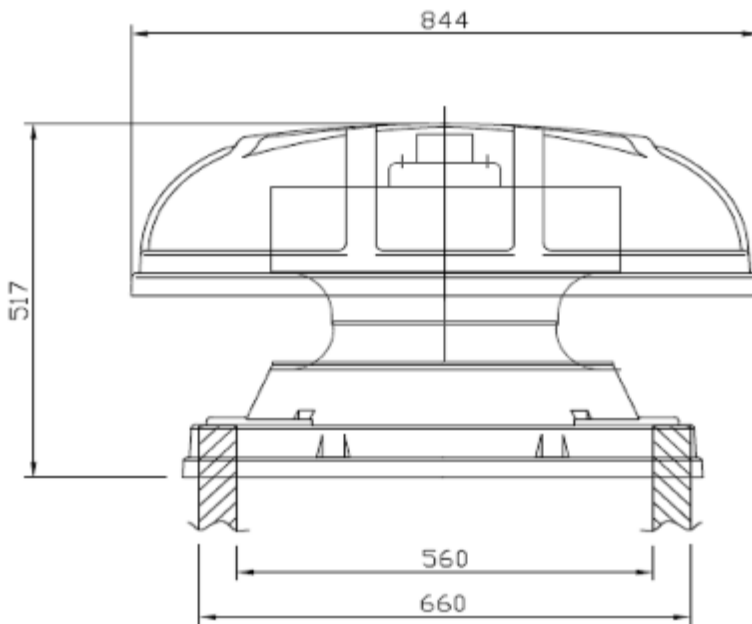
Type External Rotor
 IP Rating 54
 Insulation Class 155
 Power 0.25 Kw
 Power Supply 230V/1PH/50Hz
 Speed 900 RPM
 FLC 1.10 A
 Capacitor 8 µF
 Control RE3.5, 5 Step Controller
 Protection Thermal Contacts

Fan

Cowl Rovel UV Stabilised
 Weight 28 Kg
 Max. Temp 50 °C



Speed (rpm)	Peak Pressure (Pa)	Peak Power (kw)	Motor Running Voltage (V)	Sound Power Level SWL dB re 1pw								Sound Pressure Level dB at 3 meters
				63	125	250	500	1k	2k	4k	8k	
900	211	0.25	230	61	64	64	57	50	46	42	44	41
776	157	0.16	200	58	61	61	54	47	43	39	41	38
667	116	0.10	170	54	57	57	50	43	39	35	37	34
529	73	0.05	130	49	52	52	45	38	34	30	32	29
450	53	0.03	110	46	49	49	42	35	31	27	29	26



Roof Centrifugal Downflow Fan

PSCR-4563



Impeller

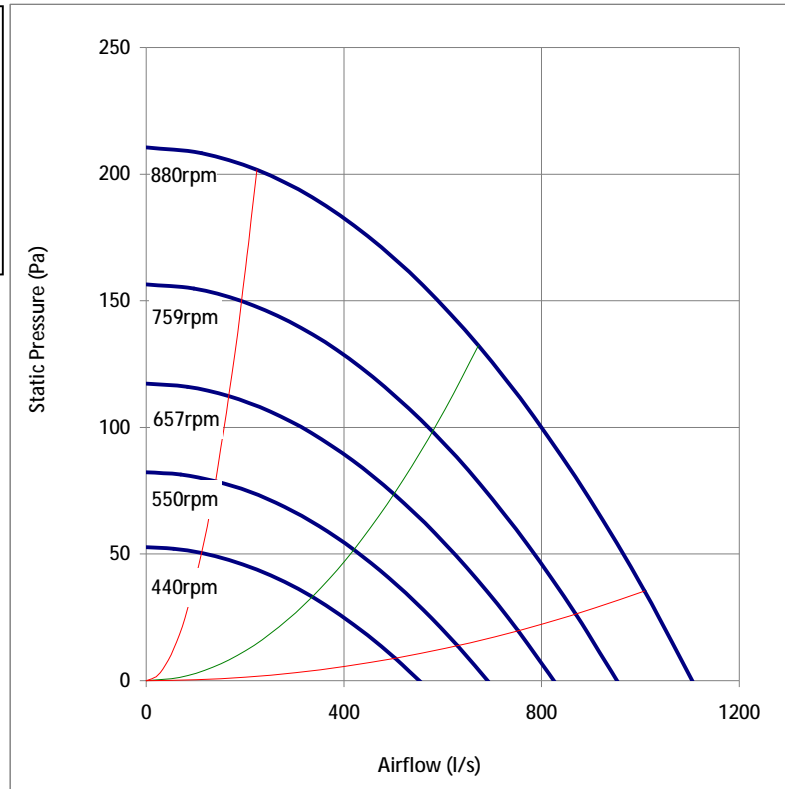
Size 450 mm
 Type Backward Arefoil Curve
 Material Black Composite Material
 Motor finish Powder Coating RAL7032

Motor

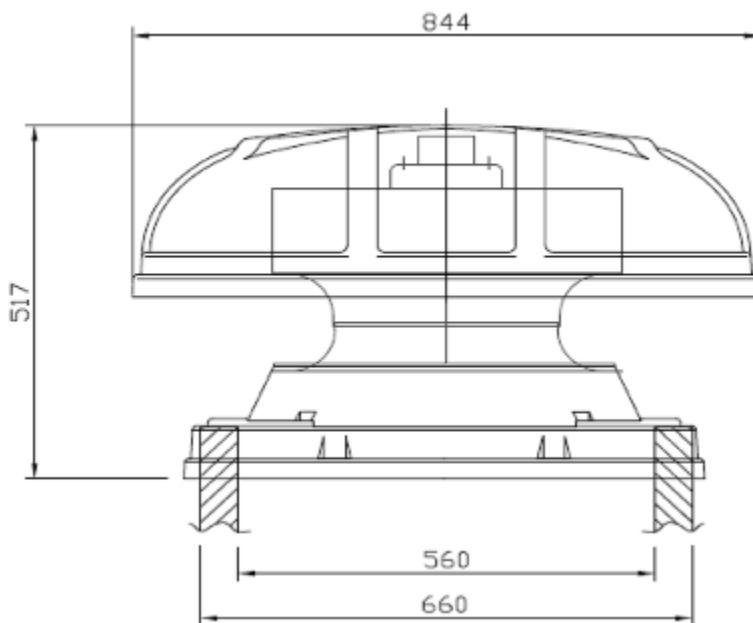
Type External Rotor
 IP Rating 54
 Insulation Class 155
 Power 0.25 Kw
 Power Supply 400V/3PH/50Hz
 Speed 880 RPM
 FLC 0.58 A
 Capacitor -
 Control Variable Speed Drive
 Protection Thermal Contacts

Fan

Cowl Rovel UV Stabilised
 Weight 28 Kg
 Max. Temp 50 °C

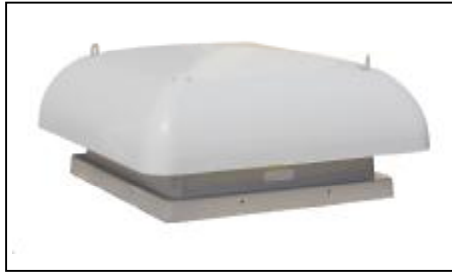


Speed (rpm)	Peak Pressure (Pa)	Peak Power (kw)	Running Frequency	Sound Power Level SWL dB re 1pw								Sound Pressure Level dB at 3 meters
				63	125	250	500	1k	2k	4k	8k	
880	211	0.25	50	61	64	64	57	50	46	42	44	41
759	157	0.16	43	58	61	61	54	47	43	39	41	38
657	117	0.10	37	55	58	58	51	44	40	36	38	35
550	82	0.06	31	51	54	54	47	40	36	32	34	31
440	53	0.03	25	46	49	49	42	35	31	27	29	26



Roof Centrifugal Downflow Fan

PSC-5041



Impeller

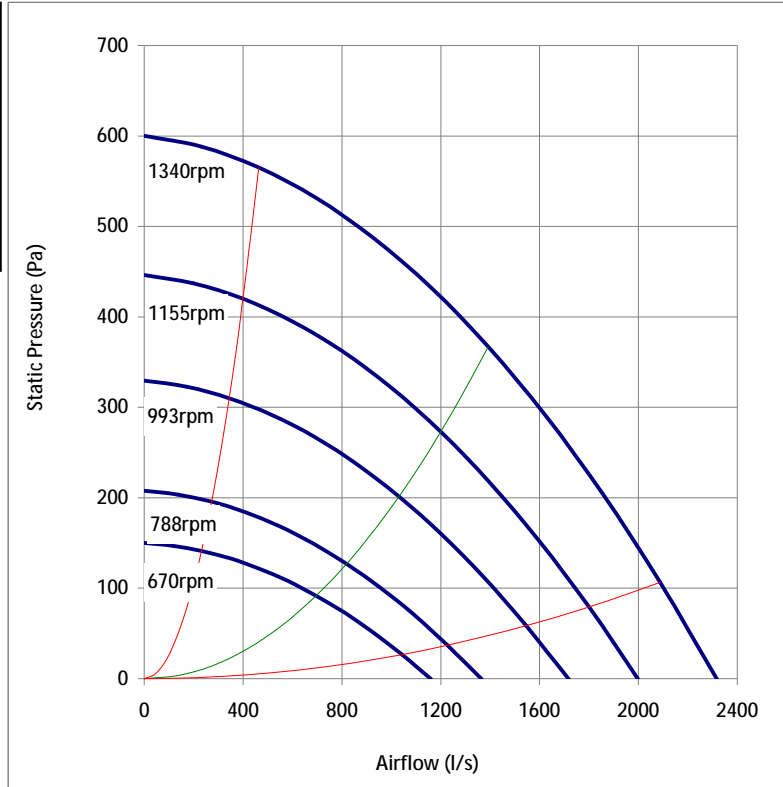
Size 500 mm
 Type Backward Arefoil Curve
 Material Black Composite Material
 Motor finish Powder Coating RAL7032

Motor

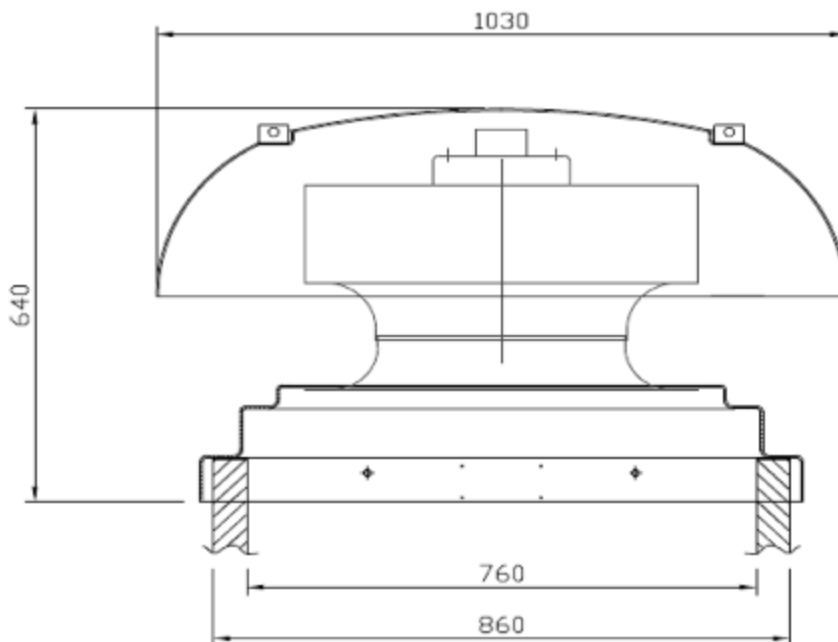
Type External Rotor
 IP Rating 54
 Insulation Class 155
 Power 1.30 Kw
 Power Supply 230V/1PH/50Hz
 Speed 1340 RPM
 FLC 5.80 A
 Capacitor 30 µF
 Control RE7.5, 5 Step Controller
 Protection Thermal Contacts

Fan

Cowl Rovel UV Stabilised
 Weight 35 Kg
 Max. Temp 50 °C



Speed (rpm)	Peak Pressure (Pa)	Peak Power (kw)	Motor Running Voltage (V)	Sound Power Level SWL dB re 1pw								Sound Pressure Level dB at 3 meters
				63	125	250	500	1k	2k	4k	8k	
1340	600	1.30	230	72	78	72	70	64	59	57	61	51
1155	446	0.83	200	69	75	69	67	61	56	54	58	48
993	329	0.53	170	65	71	65	63	57	52	50	54	44
788	208	0.26	130	60	66	60	58	52	47	45	49	39
670	150	0.16	110	57	63	57	55	49	44	42	46	36



Roof Centrifugal Downflow Fan

PSC-5043



Impeller

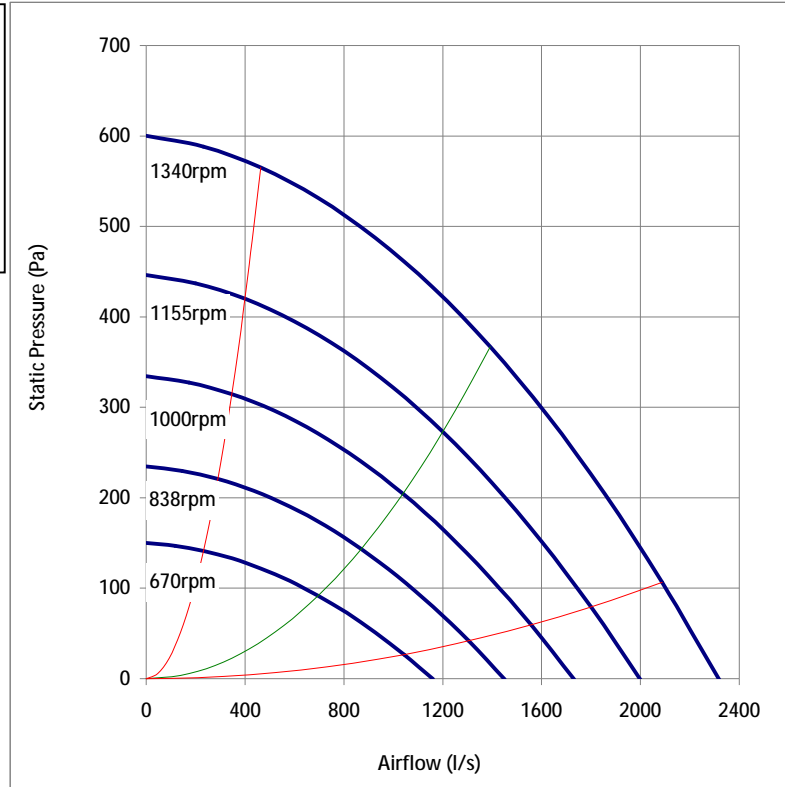
Size 500 mm
 Type Backward Arefoil Curve
 Material Black Composite Material
 Motor finish Powder Coating RAL7032

Motor

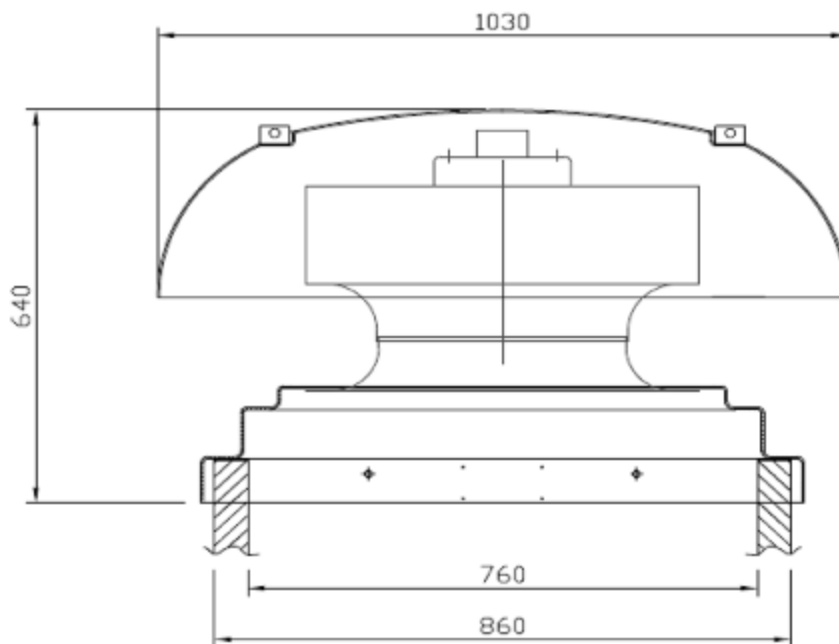
Type External Rotor
 IP Rating 54
 Insulation Class 155
 Power 1.20 Kw
 Power Supply 400V/3PH/50Hz
 Speed 1340 RPM
 FLC 2.20 A
 Capacitor -
 Control Variable Speed Drive
 Protection Thermal Contacts

Fan

Cowl Rovel UV Stabilised
 Weight 35 Kg
 Max. Temp 50 °C



Speed (rpm)	Peak Pressure (Pa)	Peak Power (kw)	Running Frequency	Sound Power Level SWL dB re 1pw								Sound Pressure Level dB at 3 meters
				63	125	250	500	1k	2k	4k	8k	
1340	600	1.20	50	72	78	72	70	64	59	57	61	51
1155	446	0.77	43	69	75	69	67	61	56	54	58	48
1000	334	0.50	37	66	72	66	64	58	53	51	55	45
838	234	0.29	31	62	68	62	60	54	49	47	51	41
670	150	0.15	25	57	63	57	55	49	44	42	46	36



Roof Centrifugal Downflow Fan

PSC-5061



Impeller

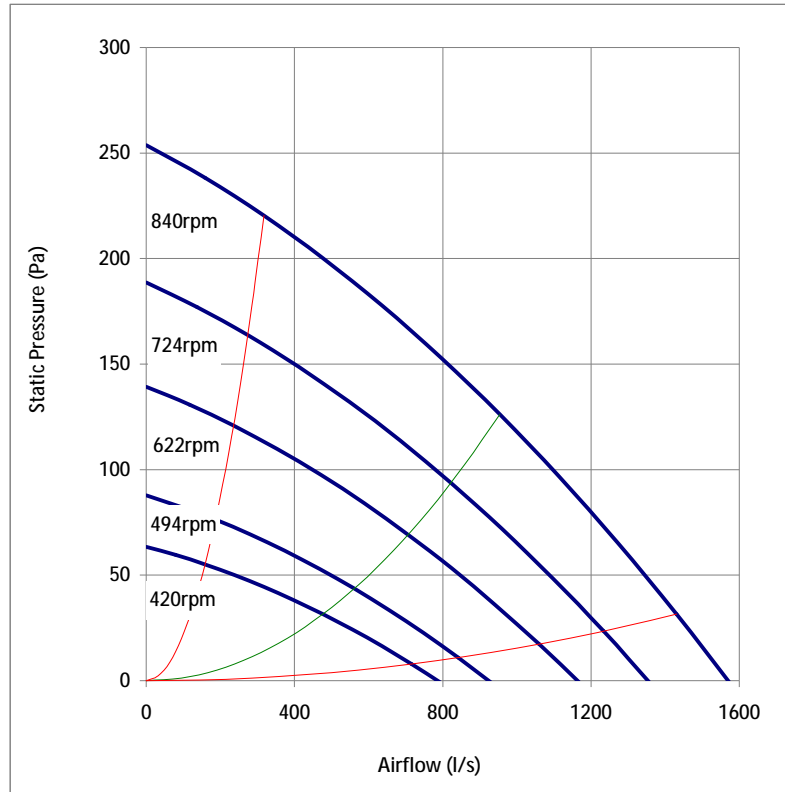
Size 500 mm
 Type Backward Arefoil Curve
 Material Black Composite Material
 Motor finish Powder Coating RAL7032

Motor

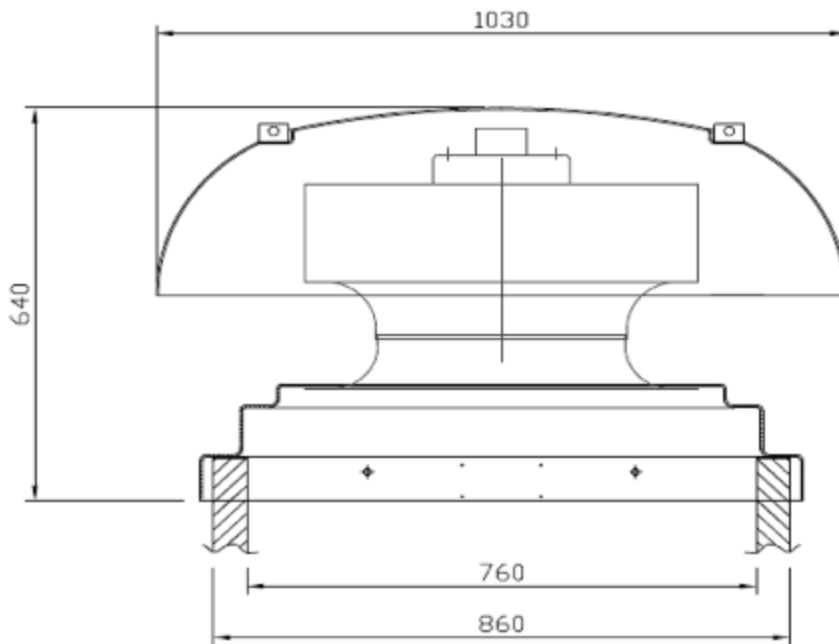
Type External Rotor
 IP Rating 54
 Insulation Class 155
 Power 0.38 Kw
 Power Supply 230V/1PH/50Hz
 Speed 840 RPM
 FLC 1.65 A
 Capacitor 12 µF
 Control RE3.5, 5 Step Controller
 Protection Thermal Contacts

Fan

Cowl Rovel UV Stabilised
 Weight 35 Kg
 Max. Temp 50 °C

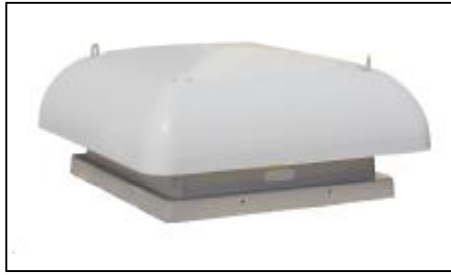


Speed (rpm)	Peak Pressure (Pa)	Peak Power (kw)	Motor Running Voltage (V)	Sound Power Level SWL dB re 1pw								Sound Pressure Level dB at 3 meters
				63	125	250	500	1k	2k	4k	8k	
840	254	0.38	230	64	70	64	62	56	51	49	53	43
724	189	0.24	200	61	67	61	59	53	48	46	50	40
622	139	0.15	170	57	63	57	55	49	44	42	46	36
494	88	0.08	130	52	58	52	50	44	39	37	41	31
420	63	0.05	110	49	55	49	47	41	36	34	38	28



Roof Centrifugal Downflow Fan

PSC-5063



Impeller

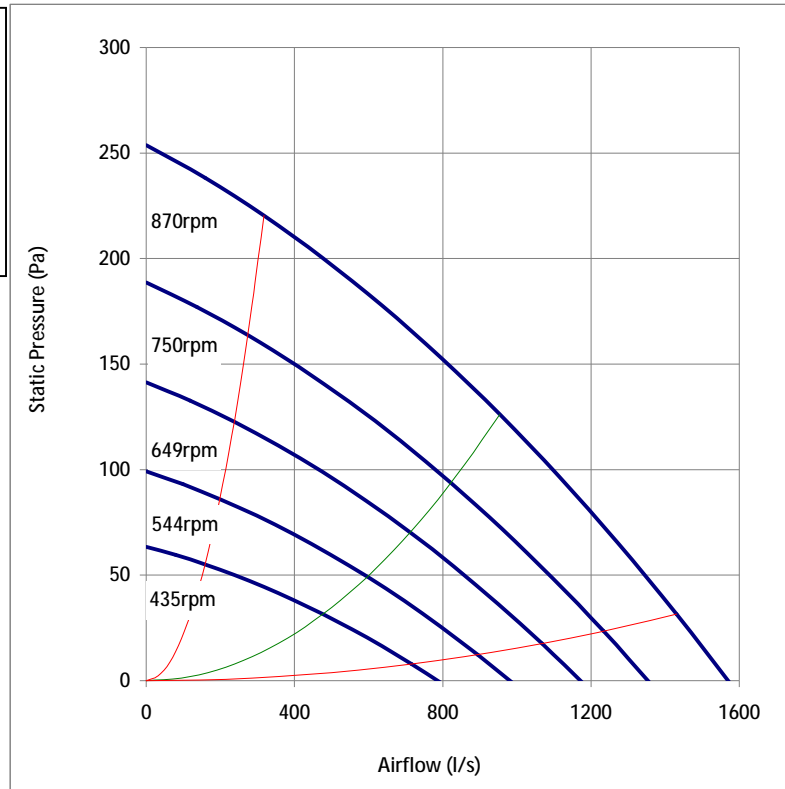
Size 500 mm
 Type Backward Arefoil Curve
 Material Black Composite Material
 Motor finish Powder Coating RAL7032

Motor

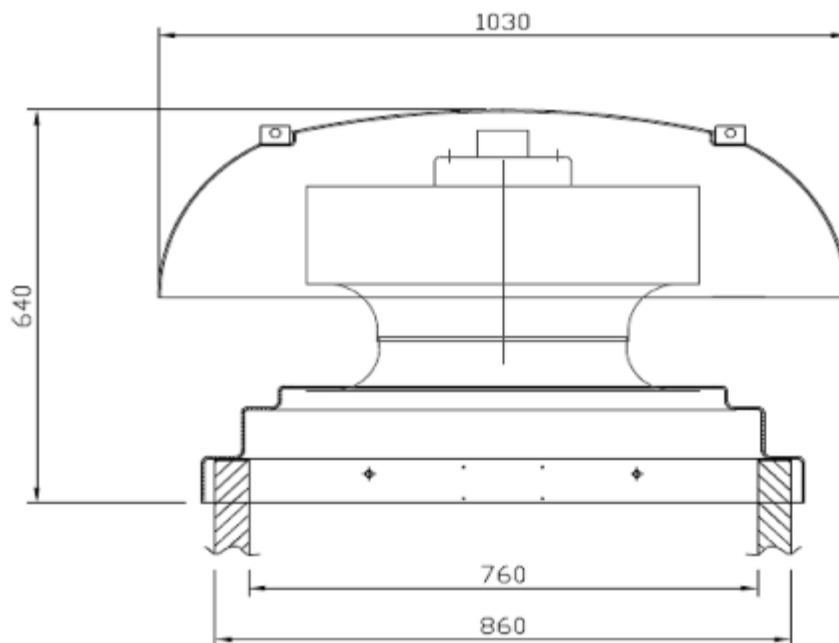
Type External Rotor
 IP Rating 54
 Insulation Class 155
 Power 0.42 Kw
 Power Supply 400V/3PH/50Hz
 Speed 870 RPM
 FLC 0.93 A
 Capacitor -
 Control Variable Speed Drive
 Protection Thermal Contacts

Fan

Cowl Rovel UV Stabilised
 Weight 35 Kg
 Max. Temp 50 °C



Speed (rpm)	Peak Pressure (Pa)	Peak Power (kw)	Running Frequency	Sound Power Level SWL dB re 1pw								Sound Pressure Level dB at 3 meters
				63	125	250	500	1k	2k	4k	8k	
870	254	0.42	50	64	70	64	62	56	51	49	53	43
750	189	0.27	43	61	67	61	59	53	48	46	50	40
649	141	0.17	37	58	64	58	56	50	45	43	47	37
544	99	0.10	31	54	60	54	52	46	41	39	43	33
435	63	0.05	25	49	55	49	47	41	36	34	38	28



Roof Centrifugal Downflow Fan

PSC-5643



Impeller

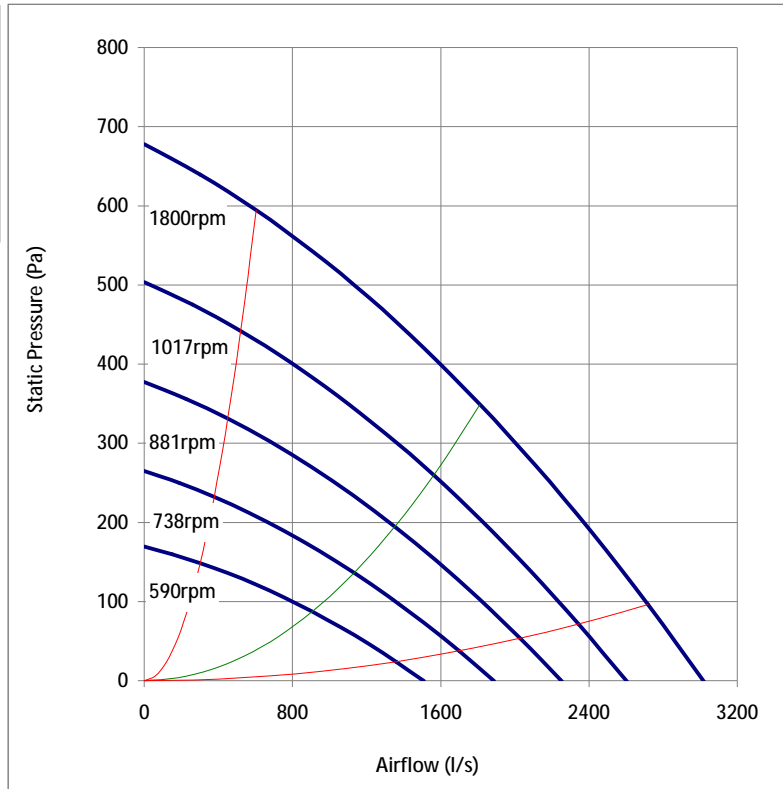
Size 560 mm
 Type Backward Arefoil Curve
 Material Black Composite Material
 Motor finish Powder Coating RAL7032

Motor

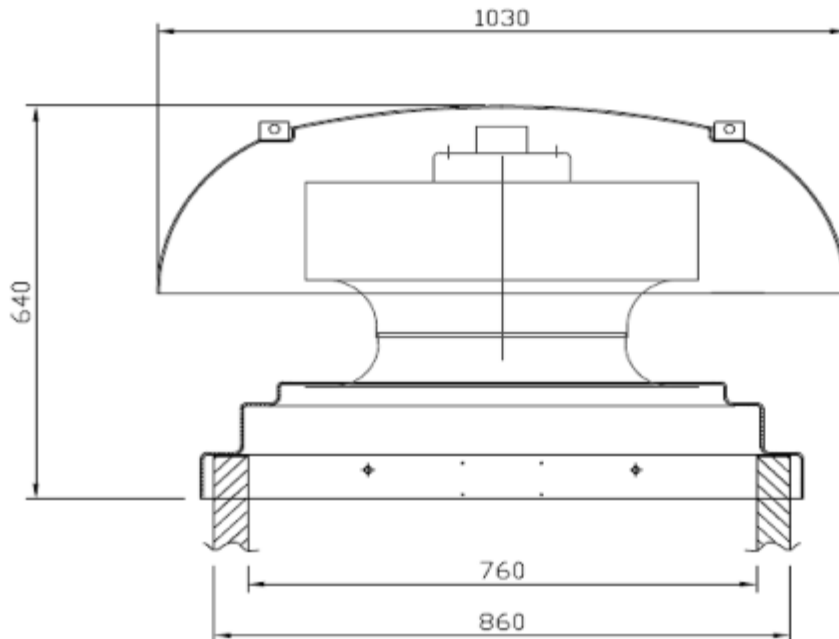
Type External Rotor
 IP Rating 54
 Insulation Class 155
 Power 1.70 Kw
 Power Supply 400V/3PH/50Hz
 Speed 1180 RPM
 FLC 3.30 A
 Capacitor -
 Control Variable Speed Drive
 Protection Thermal Contacts

Fan

Cowl Fibreglass UV Stabilised
 Weight 41 Kg
 Max. Temp 50 °C



Speed (rpm)	Peak Pressure (Pa)	Peak Power (kw)	Running Frequency	Sound Power Level SWL dB re 1pw								Sound Pressure Level dB at 3 meters
				63	125	250	500	1k	2k	4k	8k	
1180	678	1.70	50	70	80	73	68	63	58	56	62	52
1017	504	1.09	43	67	77	70	65	60	55	53	59	49
881	377	0.71	37	64	74	67	62	57	52	50	56	46
738	265	0.42	31	60	70	63	58	53	48	46	52	42
590	169	0.21	25	55	65	58	53	48	43	41	47	37



Roof Centrifugal Downflow Fan

PSC-5661



Impeller

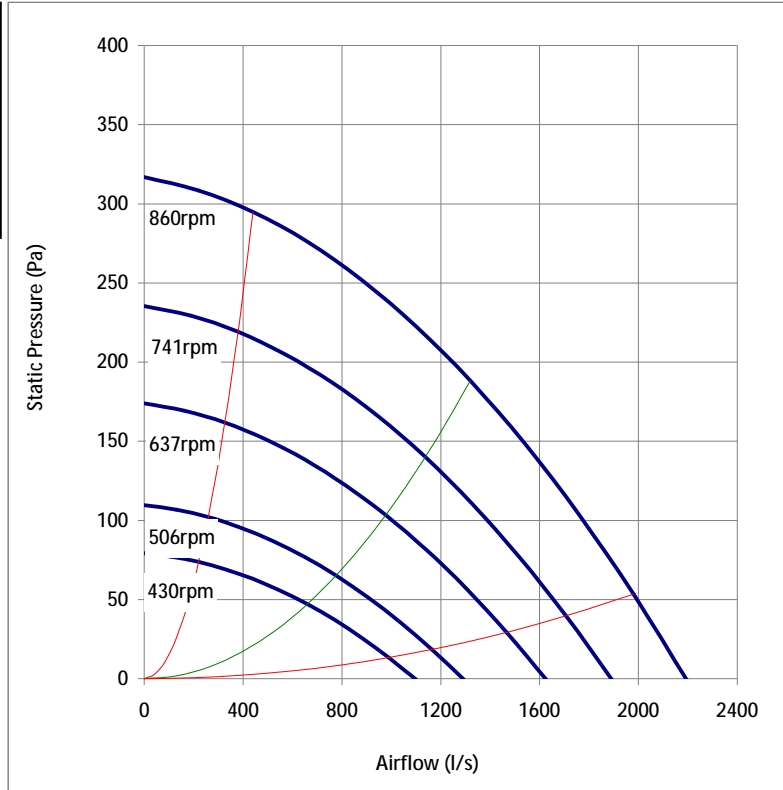
Size 560 mm
 Type Backward Arefoil Curve
 Material Black Composite Material
 Motor finish Powder Coating RAL7032

Motor

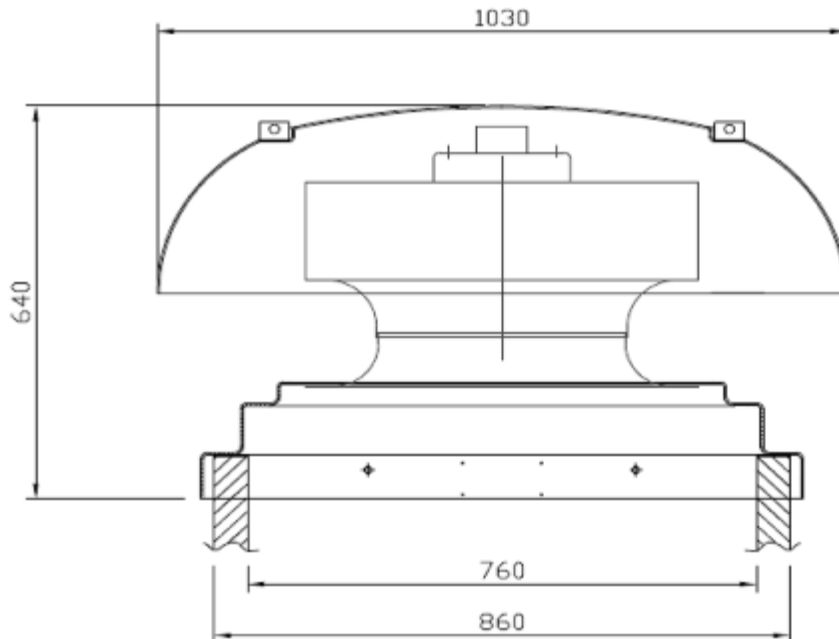
Type External Rotor
 IP Rating 54
 Insulation Class 155
 Power 0.66 Kw
 Power Supply 230V/1PH/50Hz
 Speed 860 RPM
 FLC 3.00 A
 Capacitor 14 µF
 Control RE3.5, 5 Step Controller
 Protection Thermal Contacts

Fan

Cowl Fibreglass UV Stabilised
 Weight 41 Kg
 Max. Temp 50 °C



Speed (rpm)	Peak Pressure (Pa)	Peak Power (kw)	Motor Running Voltage (V)	Sound Power Level SWL dB re 1pw								Sound Pressure Level dB at 3 meters
				63	125	250	500	1k	2k	4k	8k	
860	317	0.66	230	63	73	66	61	56	51	49	55	44
741	235	0.42	200	60	70	63	58	53	48	46	52	41
637	174	0.27	170	56	66	59	54	49	44	42	48	37
506	110	0.13	130	51	61	54	49	44	39	37	43	32
430	79	0.08	110	48	58	51	46	41	36	34	40	29



Roof Centrifugal Downflow Fan

PSC-5663



Impeller

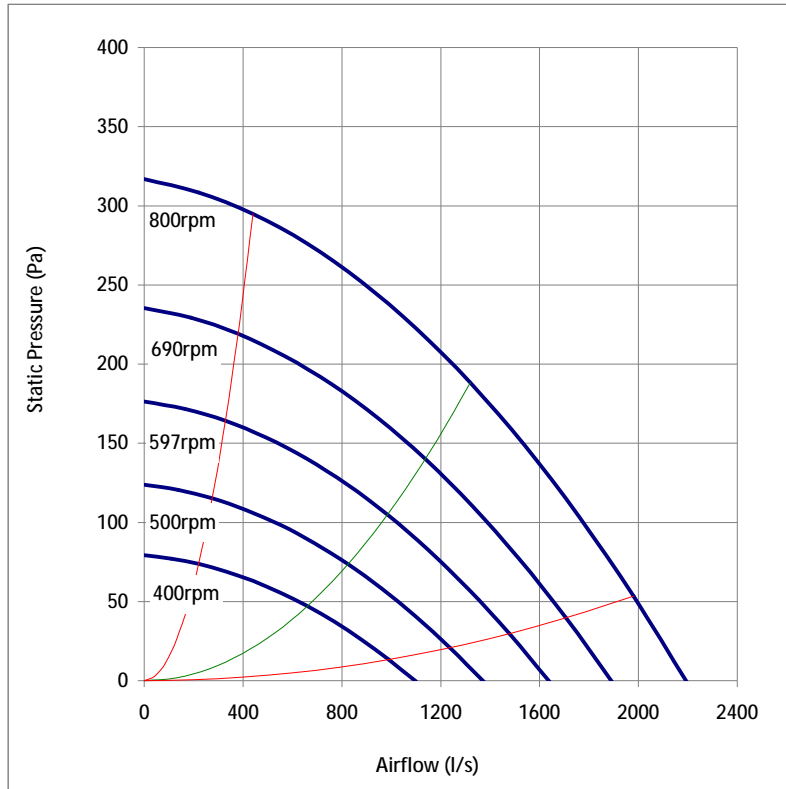
Size 560 mm
 Type Backward Arefoil Curve
 Material Black Composite Material
 Motor finish Powder Coating RAL7032

Motor

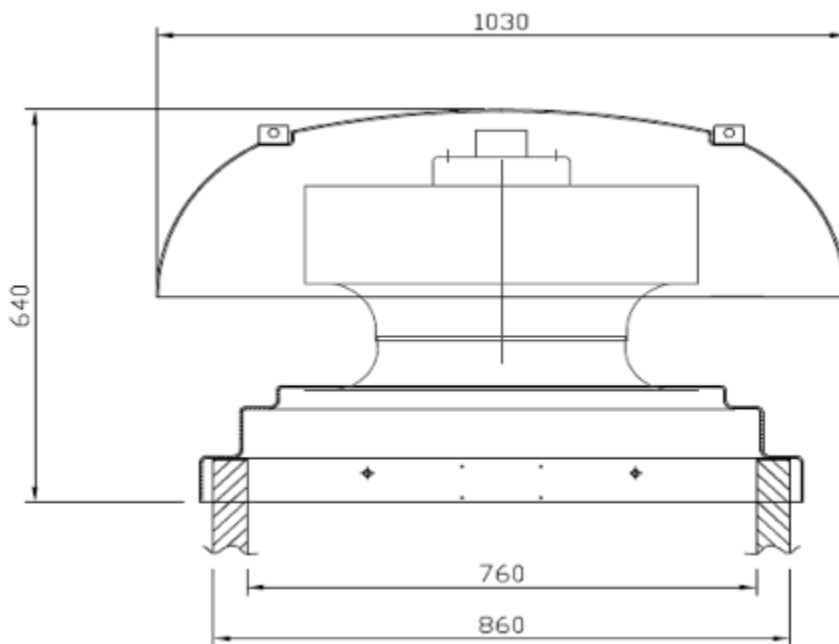
Type External Rotor
 IP Rating 54
 Insulation Class 155
 Power 0.61 Kw
 Power Supply 400V/3PH/50Hz
 Speed 800 RPM
 FLC 1.05 A
 Capacitor -
 Control Variable Speed Drive
 Protection Thermal Contacts

Fan

Cowl Fibreglass UV Stabilised
 Weight 41 Kg
 Max. Temp 50 °C



Speed (rpm)	Peak Pressure (Pa)	Peak Power (kw)	Running Frequency	Sound Power Level SWL dB re 1pw								Sound Pressure Level dB at 3 meters
				63	125	250	500	1k	2k	4k	8k	
800	317	0.61	50	63	73	66	61	56	51	49	55	44
690	235	0.39	43	60	70	63	58	53	48	46	52	41
597	176	0.25	37	57	67	60	55	50	45	43	49	38
500	124	0.15	31	53	63	56	51	46	41	39	45	34
400	79	0.08	25	48	58	51	46	41	36	34	40	29



Roof Centrifugal Downflow Fan

PSC-6343



Impeller

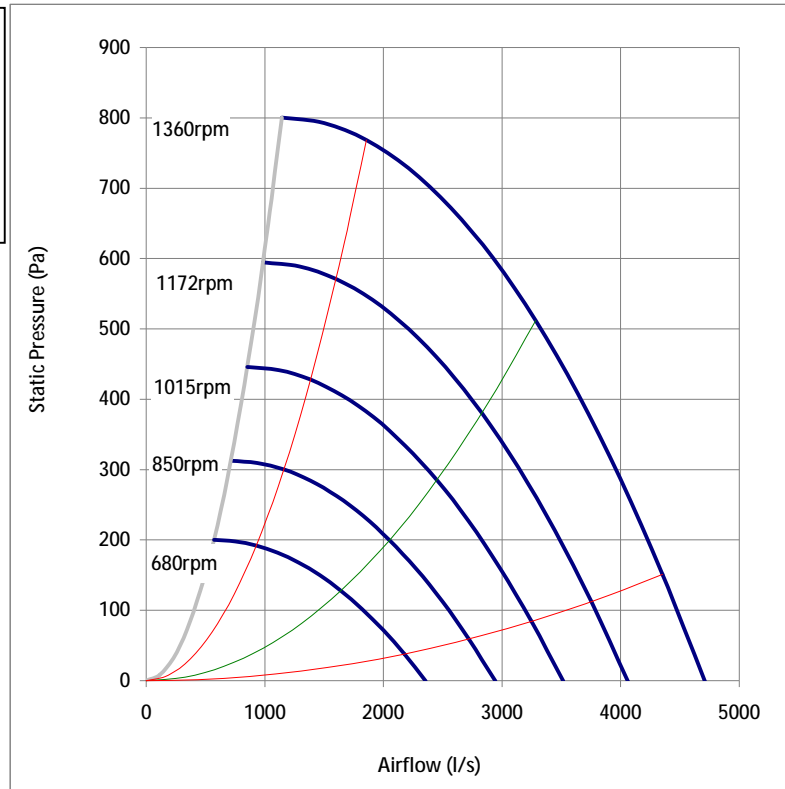
Size 630 mm
 Type Backward Arefoil Curve
 Material Black Composite Material
 Motor finish Powder Coating RAL7032

Motor

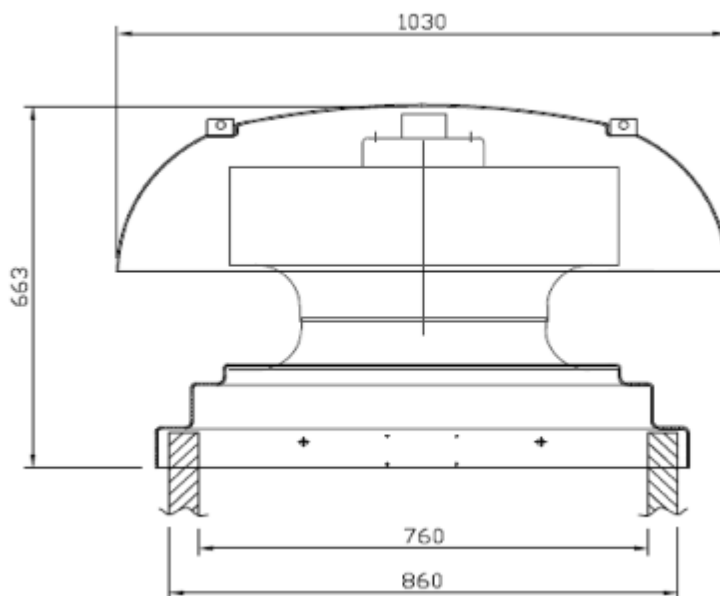
Type External Rotor
 IP Rating 54
 Insulation Class 155
 Power 3.90 Kw
 Power Supply 400V/3PH/50Hz
 Speed 1360 RPM
 FLC 6.60 A
 Capacitor -
 Control Variable Speed Drive
 Protection Thermal Contacts

Fan

Cowl Fibreglass UV Stabilised
 Weight 55 Kg
 Max. Temp 50 °C



Speed (rpm)	Peak Pressure (Pa)	Peak Power (kw)	Running Frequency	Sound Power Level SWL dB re 1pw								Sound Pressure Level dB at 3 meters
				63	125	250	500	1k	2k	4k	8k	
1360	800	3.90	50	81	86	82	77	78	72	69	64	60
1172	595	2.50	43	78	83	79	74	75	69	66	61	57
1015	446	1.62	37	75	80	76	71	72	66	63	58	54
850	313	0.95	31	71	76	72	67	68	62	59	54	50
680	200	0.49	25	66	71	67	62	63	57	54	49	45



Roof Centrifugal Downflow Fan

PSC-6363



Impeller

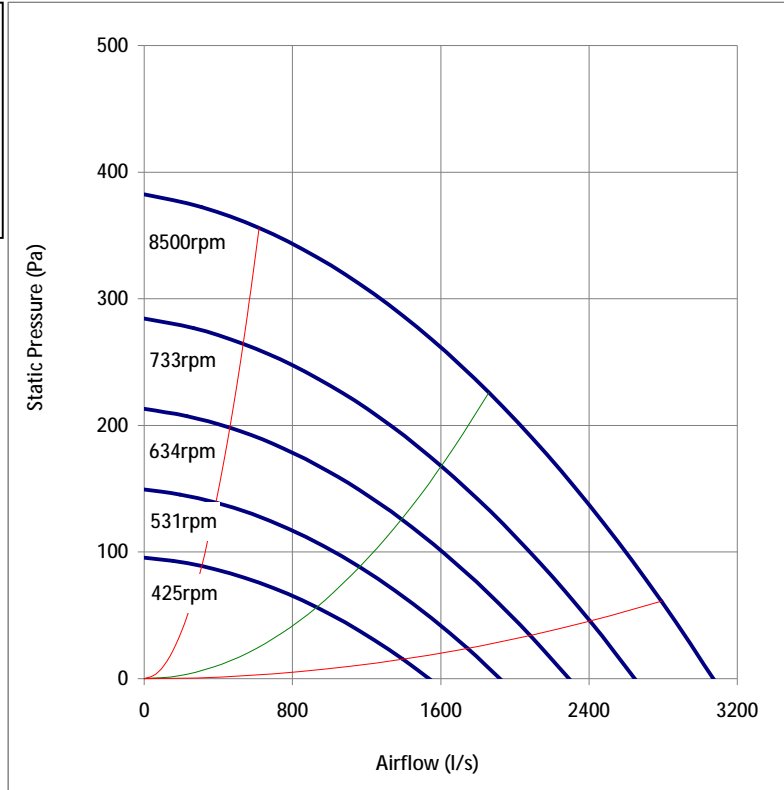
Size 630 mm
 Type Backward Arefoil Curve
 Material Black Composite Material
 Motor finish Powder Coating RAL7032

Motor

Type External Rotor
 IP Rating 54
 Insulation Class 155
 Power 1.10 Kw
 Power Supply 400V/3PH/50Hz
 Speed 850 RPM
 FLC 2.20 A
 Capacitor -
 Control Variable Speed Drive
 Protection Thermal Contacts

Fan

Cowl Fibreglass UV Stabilised
 Weight 55 Kg
 Max. Temp 50 °C



Speed (rpm)	Peak Pressure (Pa)	Peak Power (kw)	Running Frequency	Sound Power Level SWL dB re 1pw								Sound Pressure Level dB at 3 meters
				63	125	250	500	1k	2k	4k	8k	
850	383	1.10	50	73	78	74	69	70	64	61	56	53
733	284	0.70	43	70	75	71	66	67	61	58	53	50
634	213	0.46	37	67	72	68	63	64	58	55	50	47
531	149	0.27	31	63	68	64	59	60	54	51	46	43
425	96	0.14	25	58	63	59	54	55	49	46	41	38

