

PSCR-S

- Roof Mount Centrifugal Supply Air Fan
- With External Rotor

SPECIFICATION

Sizes

280, 310, 315, 350, 400, 450, 500, 560, 630mm diameter

Fan Performance

The fan is of low noise and high static efficiency design. The impeller is designed to give excellent performance characteristic with high static pressure development with out stall

Impellers

Ziehl-Abegg Vpro low noise high efficiency centrifugal fan with profiled blades. The impellers are manufactured from black composite material and balanced according to ISO1940.

MOTORS

Ziehl-Abegg asynchronous external rotor motors. Motor enclosure to feature IP54 protection . Motor winding insulation are to incorporate thermal class 155 as standard. Motor bearings are to be of maintenance free ball bearing design. Auto-reset thermal contacts are provided as standard.

Casing

Cowl and base of the fans are of UV stabilised fibreglass or Rovel. Impeller/motor assembly to be supported by a galvanised steel. Bird mesh to be fit as standard.

Test Procedures

Performance Date – Established from tests in accordance with ISO5801:1997
Sound levels – Established from tests in accordance with ISO3745

Ziehl-Abegg Vpro external rotor



Roof Centrifugal Supply Air Fan

PSCR-2841S



Impeller

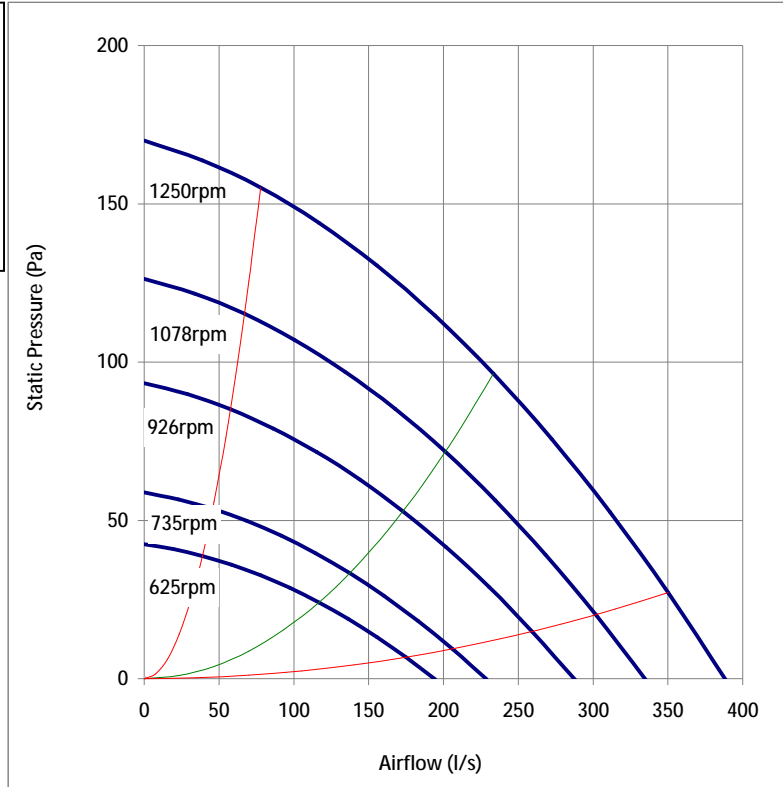
Size 280 mm
 Type Backward Arefoil Curve
 Material Black Composite Material
 Motor finish Powder Coating RAL7032

Motor

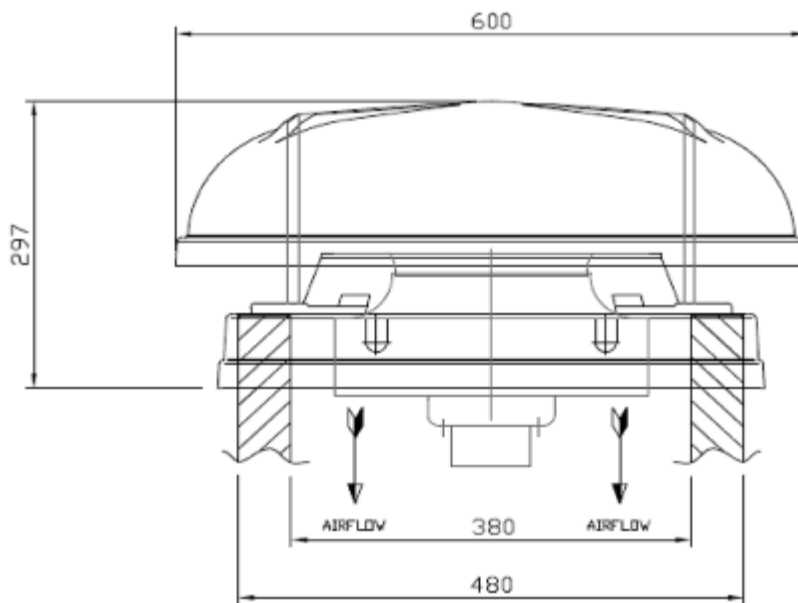
Type External Rotor
 IP Rating 44
 Insulation Class 155
 Power 0.09 Kw
 Power Supply 230V/1PH/50Hz
 Speed 1250 RPM
 FLC 0.41A
 Capacitor 2.5 µF
 Control RE1.5, 5 Step Controller
 Protection Thermal Contacts

Fan

Cowl Rovel UV Stabilised
 Weight 8 Kg
 Max. Temp 50 °C



Speed (rpm)	Peak Pressure (Pa)	Peak Power (kw)	Motor Running Voltage (V)	Sound Power Level SWL dB re 1pw								Sound Pressure Level dB at 3 meters
				63	125	250	500	1k	2k	4k	8k	
1250	170	0.09	230	60	61	60	58	55	54	54	41	41
1078	126	0.06	200	57	58	57	55	52	51	51	38	38
926	93	0.04	170	53	54	53	51	48	47	47	34	34
735	59	0.02	130	48	49	48	46	43	42	42	29	29
625	43	0.01	110	45	46	45	43	40	39	39	26	26



Roof Centrifugal Supply Air Fan

PSCR-3141S



Impeller

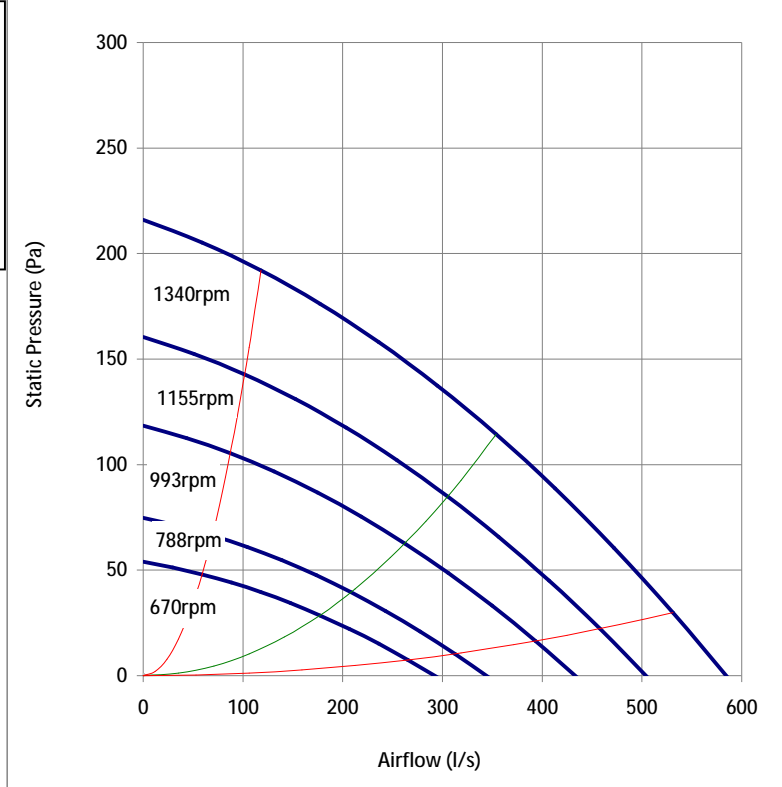
Size 310 mm
 Type Backward Arefoil Curve
 Material Black Composite Material
 Motor finish Powder Coating RAL7032

Motor

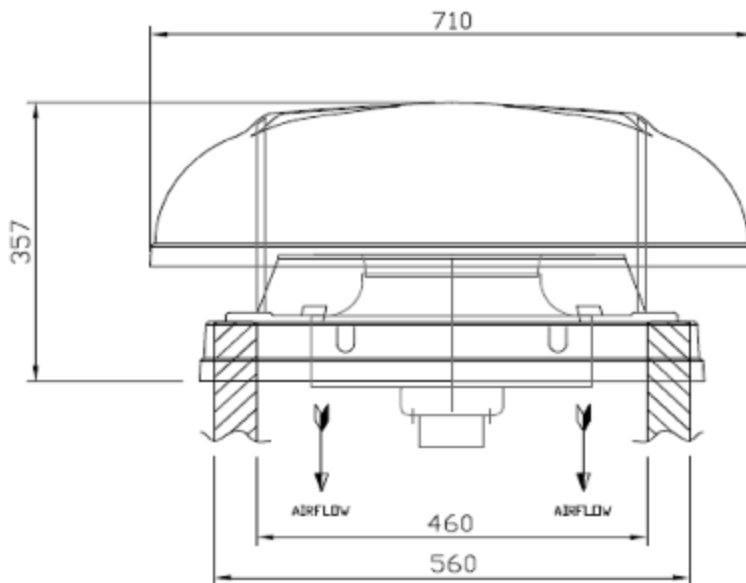
Type External Rotor
 IP Rating 54
 Insulation Class 155
 Power 0.18 Kw
 Power Supply 230V/1PH/50Hz
 Speed 1420 RPM
 FLC 0.8 A
 Capacitor 5 µF
 Control RE1.5, 5 Step Controller
 Protection Thermal Contacts

Fan

Cowl Rovel UV Stabilised
 Weight 15 kg
 Max. Temp 50 °C



Speed (rpm)	Peak Pressure (Pa)	Peak Power (kw)	Motor Running Voltage (V)	Sound Power Level SWL dB re 1pw								Sound Pressure Level dB at 3 meters
				63	125	250	500	1k	2k	4k	8k	
1340	216	0.18	230	62	64	61	67	62	57	52	51	41
1155	160	0.12	200	59	61	58	64	59	54	49	48	38
993	118	0.07	170	55	57	54	60	55	50	45	44	34
788	75	0.04	130	50	52	49	55	50	45	40	39	29
670	54	0.02	110	47	49	46	52	47	42	37	36	26



Roof Centrifugal Supply Air Fan

PSCR-3143S



Impeller

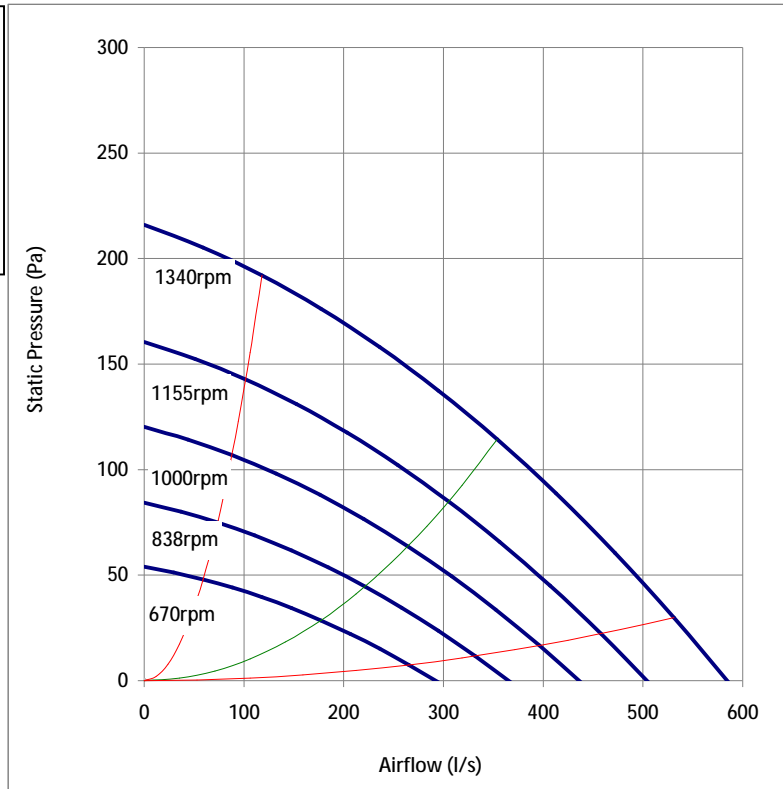
Size 310 mm
 Type Backward Arefoil Curve
 Material Black Composite Material
 Motor finish Powder Coating RAL7032

Motor

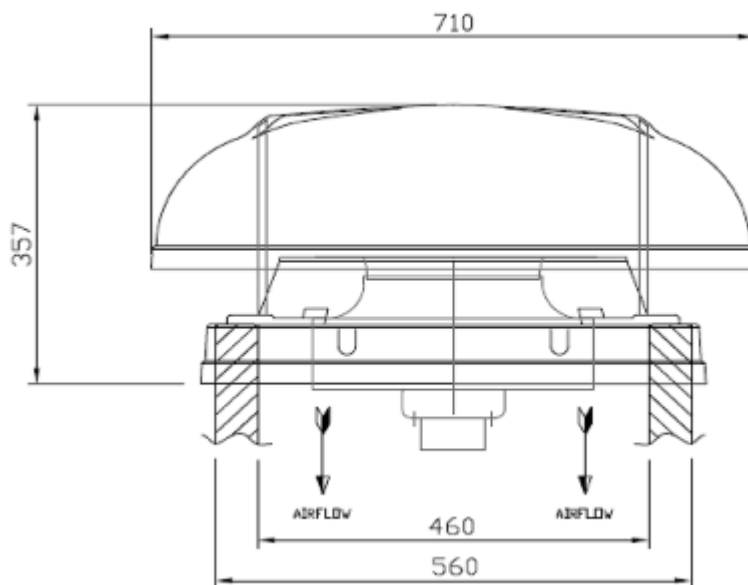
Type External Rotor
 IP Rating 54
 Insulation Class 155
 Power 0.14 Kw
 Power Supply 400V/3PH/50Hz
 Speed 1340 RPM
 FLC 0.29 A
 Capacitor -
 Control Variable Frequency Drive
 Protection Thermal Contacts

Fan

Cowl Rovel UV Stabilised
 Weight 15 Kg
 Max. Temp 50 °C



Speed (rpm)	Peak Pressure (Pa)	Peak Power (kw)	Running Frequency	Sound Power Level SWL dB re 1pw								Sound Pressure Level dB at 3 meters
				63	125	250	500	1k	2k	4k	8k	
1340	216	0.14	50	62	64	61	67	62	57	52	51	41
1155	160	0.09	43	59	61	58	64	59	54	49	48	38
1000	120	0.06	37	56	58	55	61	56	51	46	45	35
838	84	0.03	31	52	54	51	57	52	47	42	41	31
670	54	0.02	25	47	49	46	52	47	42	37	36	26



Roof Centrifugal Supply Air Fan

PSCR-3541S



Impeller

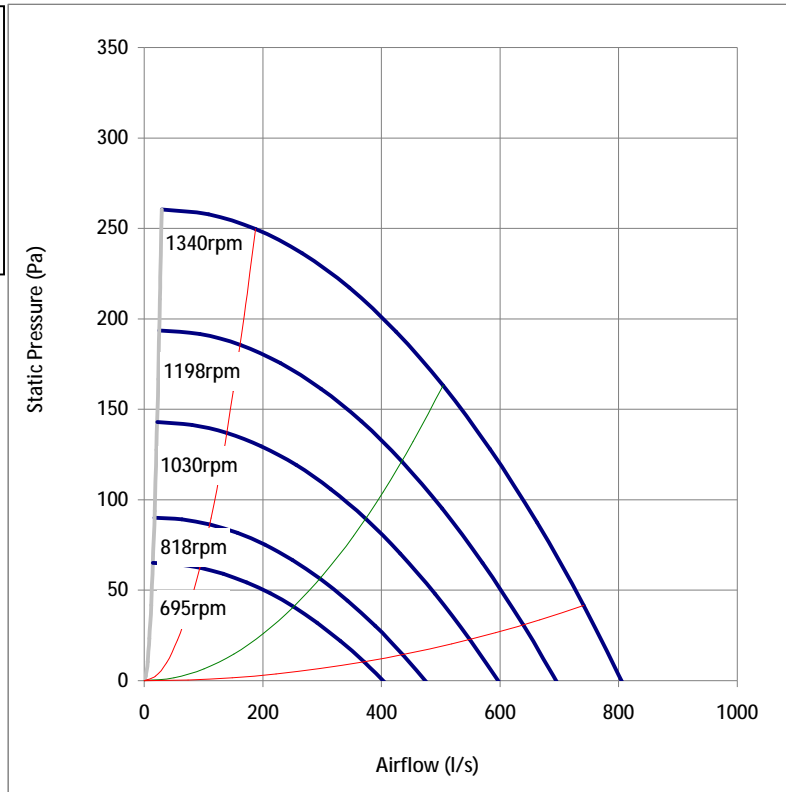
Size 350 mm
 Type Backward Arefoil Curve
 Material Black Composite Material
 Motor finish Powder Coating RAL7032

Motor

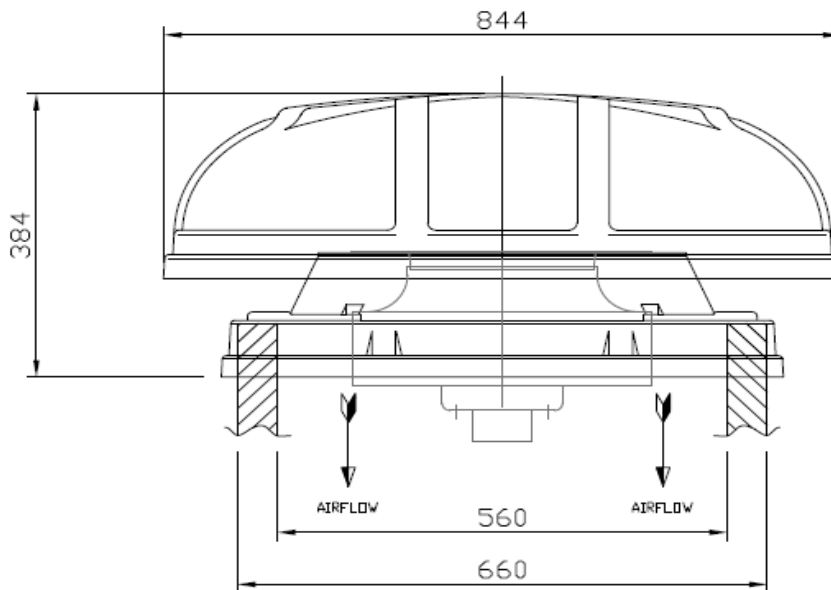
Type External Rotor
 IP Rating 54
 Insulation Class 155
 Power 0.27 Kw
 Power Supply 230V/1PH/50Hz
 Speed 1390 RPM
 FLC 1.3 A
 Capacitor 6 µF
 Control RE1.5, 5 Step Controller
 Protection Thermal Contacts

Fan

Cowl Rovel UV Stabilised
 Weight 23 Kg
 Max. Temp 50 °C



Speed (rpm)	Peak Pressure (Pa)	Peak Power (kw)	Motor Running Voltage (V)	Sound Power Level SWL dB re 1pw								Sound Pressure Level dB at 3 meters
				63	125	250	500	1k	2k	4k	8k	
1390	260	0.27	230	66	70	62	59	56	51	53	51	42
1198	194	0.17	200	63	67	59	56	53	48	50	48	39
1030	143	0.11	170	59	63	55	52	49	44	46	44	35
818	90	0.05	130	54	58	50	47	44	39	41	39	30
695	65	0.03	110	51	55	47	44	41	36	38	36	27



Roof Centrifugal Supply Air Fan

PSCR-3543S



Impeller

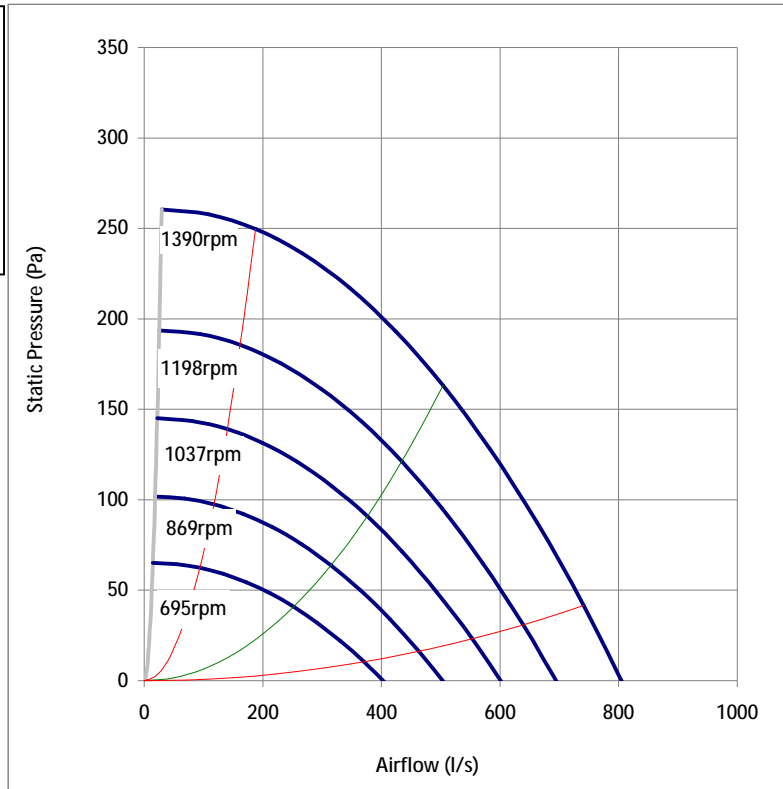
Size 350 mm
 Type Backward Arefoil Curve
 Material Black Composite Material
 Motor finish Powder Coating RAL7032

Motor

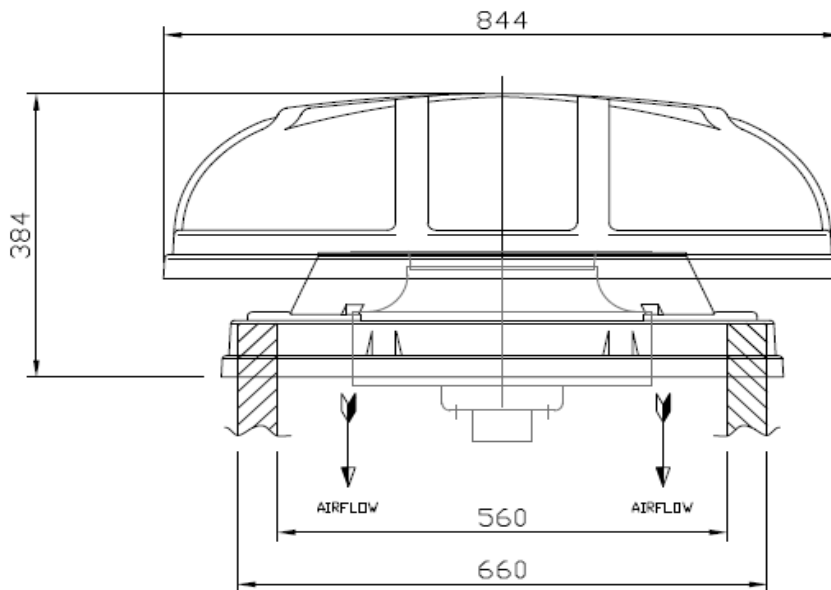
Type External Rotor
 IP Rating 54
 Insulation Class 155
 Power 0.24 Kw
 Power Supply 400V/3PH/50Hz
 Speed 1390 RPM
 FLC 0.47 A
 Capacitor -
 Control Variable Frequency Drive
 Protection Thermal Contacts

Fan

Cowl Rovel UV Stabilised
 Weight 23 Kg
 Max. Temp 50 °C



Speed (rpm)	Peak Pressure (Pa)	Peak Power (kw)	Running Frequency	Sound Power Level SWL dB re 1pw								Sound Pressure Level dB at 3 meters
				63	125	250	500	1k	2k	4k	8k	
1390	260	0.24	50	66	70	62	59	56	51	53	51	41
1198	194	0.15	43	63	67	59	56	53	48	50	48	38
1037	145	0.10	37	60	64	56	53	50	45	47	45	35
869	102	0.06	31	56	60	52	49	46	41	43	41	31
695	65	0.03	25	51	55	47	44	41	36	38	36	26



Roof Centrifugal Supply Air Fan

PSCR-3561S



Impeller

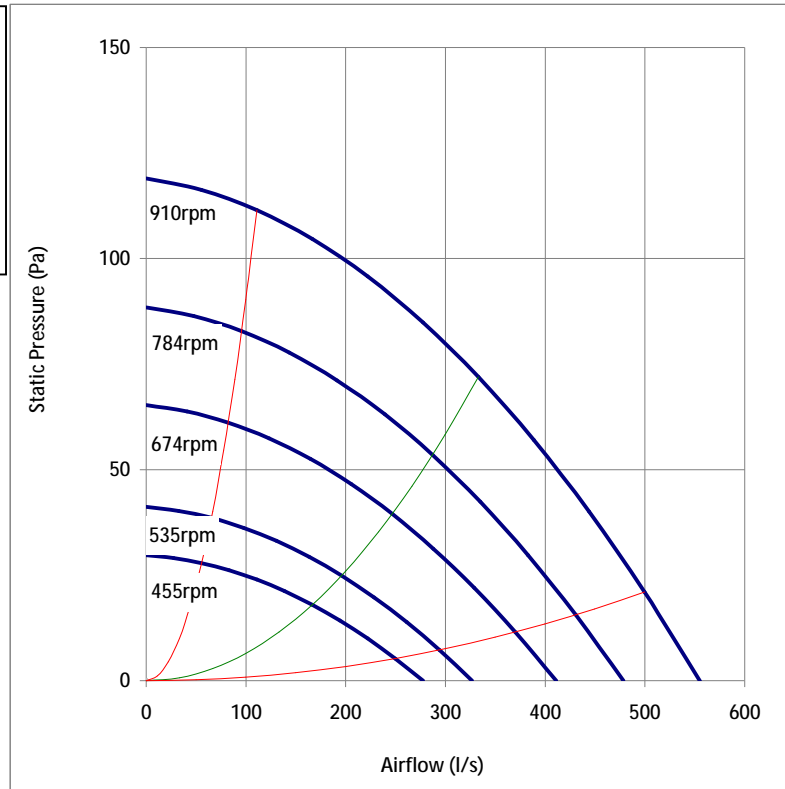
Size 350 mm
 Type Backward Arefoil Curve
 Material Black Composite Material
 Motor finish Powder Coating RAL7032

Motor

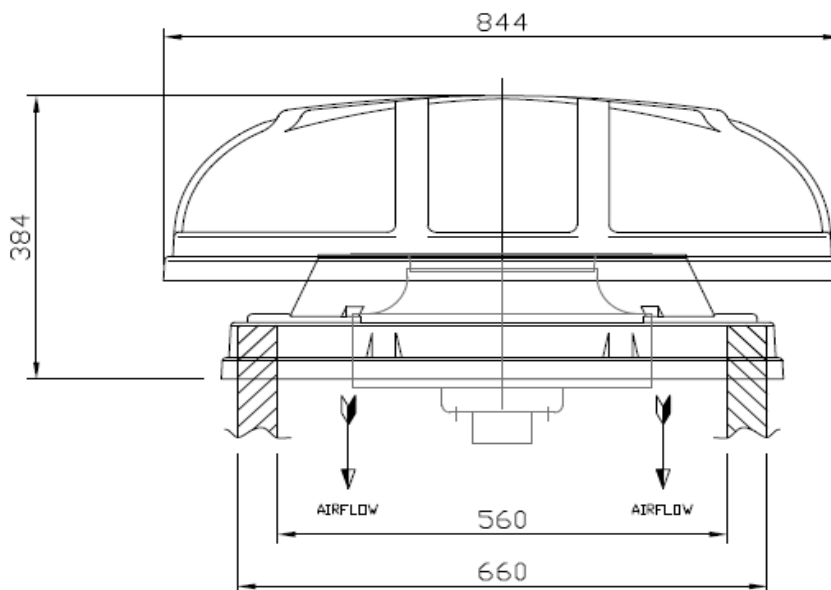
Type External Rotor
 IP Rating 54
 Insulation Class 155
 Power 0.11 Kw
 Power Supply 230V/1PH/50Hz
 Speed 910 RPM
 FLC 0.49 A
 Capacitor 4 µF
 Control RE1.5, 5 Step Controller
 Protection Thermal Contacts

Fan

Cowl Rovel UV Stabilised
 Weight 23 Kg
 Max. Temp 50 °C



Speed (rpm)	Peak Pressure (Pa)	Peak Power (kw)	Motor Running Voltage (V)	Sound Power Level SWL dB re 1pw								Sound Pressure Level dBA at 3 meters
				63	125	250	500	1k	2k	4k	8k	
910	119	0.11	230	59	63	55	52	49	44	46	44	35
784	88	0.07	200	56	60	52	49	46	41	43	41	32
674	65	0.04	170	52	56	48	45	42	37	39	37	28
535	41	0.02	130	47	51	43	40	37	32	34	32	23
455	30	0.01	110	44	48	40	37	34	29	31	29	20



Roof Centrifugal Supply Air Fan

PSCR-4041S



Impeller

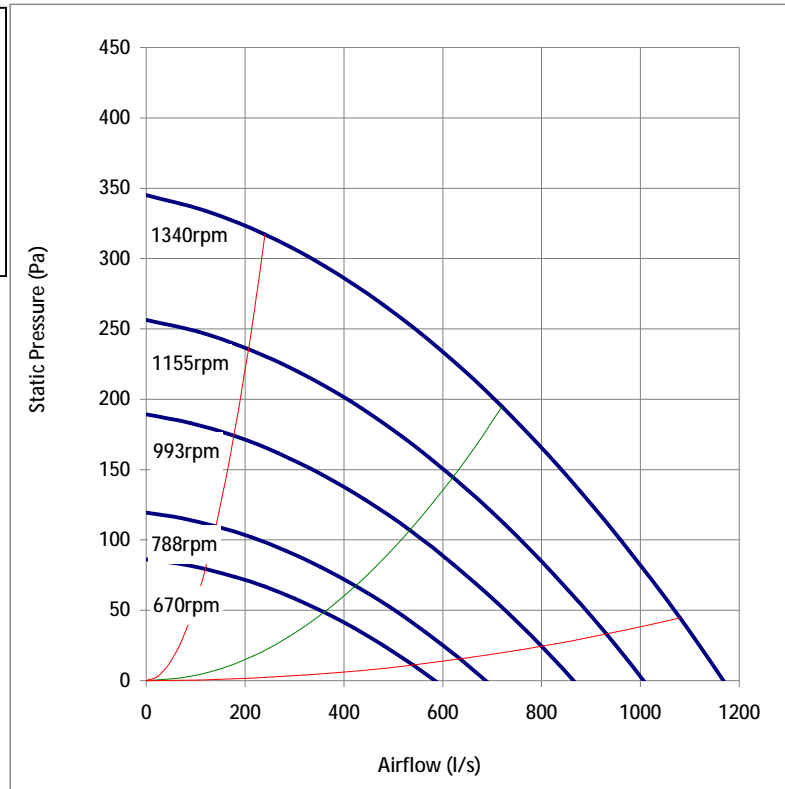
Size 400 mm
 Type Backward Arefoil Curve
 Material Black Composite Material
 Motor finish Powder Coating RAL7032

Motor

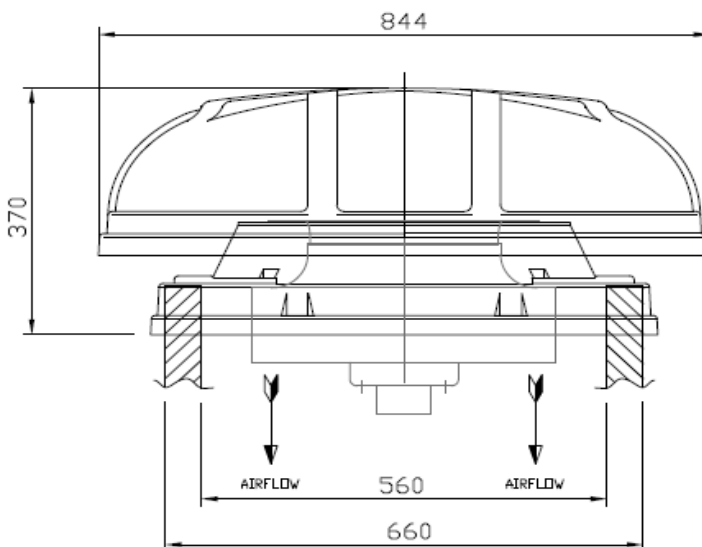
Type External Rotor
 IP Rating 54
 Insulation Class 155
 Power 0.49 Kw
 Power Supply 230V/1PH/50Hz
 Speed 1340 RPM
 FLC 2.5 A
 Capacitor 12 µF
 Control RE3.5, 5 Step Controller
 Protection Thermal Contacts

Fan

Cowl Rovel UV Stabilised
 Weight 26 Kg
 Max. Temp 50 °C



Speed (rpm)	Peak Pressure (Pa)	Peak Power (kw)	Motor Running Voltage (V)	Sound Power Level SWL dB re 1pw								Sound Pressure Level dB at 3 meters
				63	125	250	500	1k	2k	4k	8k	
1340	345	0.49	230	63	68	63	62	55	52	48	53	42
1155	256	0.31	200	60	65	60	59	52	49	45	50	39
993	189	0.20	170	56	61	56	55	48	45	41	46	35
788	119	0.10	130	51	56	51	50	43	40	36	41	30
670	86	0.06	110	48	53	48	47	40	37	33	38	27



Roof Centrifugal Supply Air Fan

PSCR-4043S



Impeller

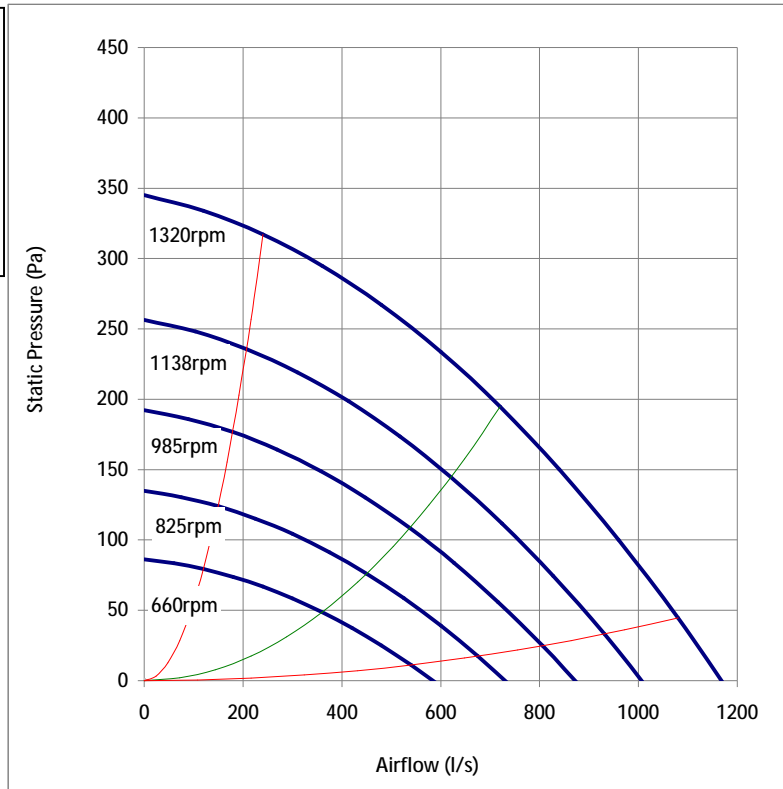
Size 400 mm
 Type Backward Arefoil Curve
 Material Black Composite Material
 Motor finish Powder Coating RAL7032

Motor

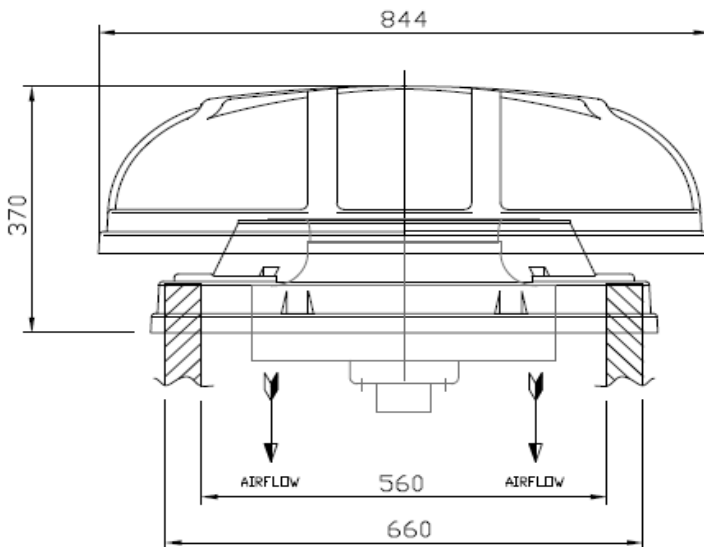
Type External Rotor
 IP Rating 54
 Insulation Class 155
 Power 0.44 Kw
 Power Supply 400V/3PH/50Hz
 Speed 1320 RPM
 FLC 2.5 A
 Capacitor -
 Control Variable Frequency Drive
 Protection Thermal Contacts

Fan

Cowl Rovel UV Stabilised
 Weight 26 Kg
 Max. Temp 50 °C



Speed (rpm)	Peak Pressure (Pa)	Peak Power (kw)	Running Frequency	Sound Power Level SWL dB re 1pw								Sound Pressure Level dB at 3 meters
				63	125	250	500	1k	2k	4k	8k	
1320	345	0.44	50	63	68	63	62	55	52	48	53	42
1138	256	0.28	43	60	65	60	59	52	49	45	50	39
985	192	0.18	37	57	62	57	56	49	46	42	47	36
825	135	0.11	31	53	58	53	52	45	42	38	43	32
660	86	0.06	25	48	53	48	47	40	37	33	38	27



Roof Centrifugal Supply Air Fan

PSCR-4061S



Impeller

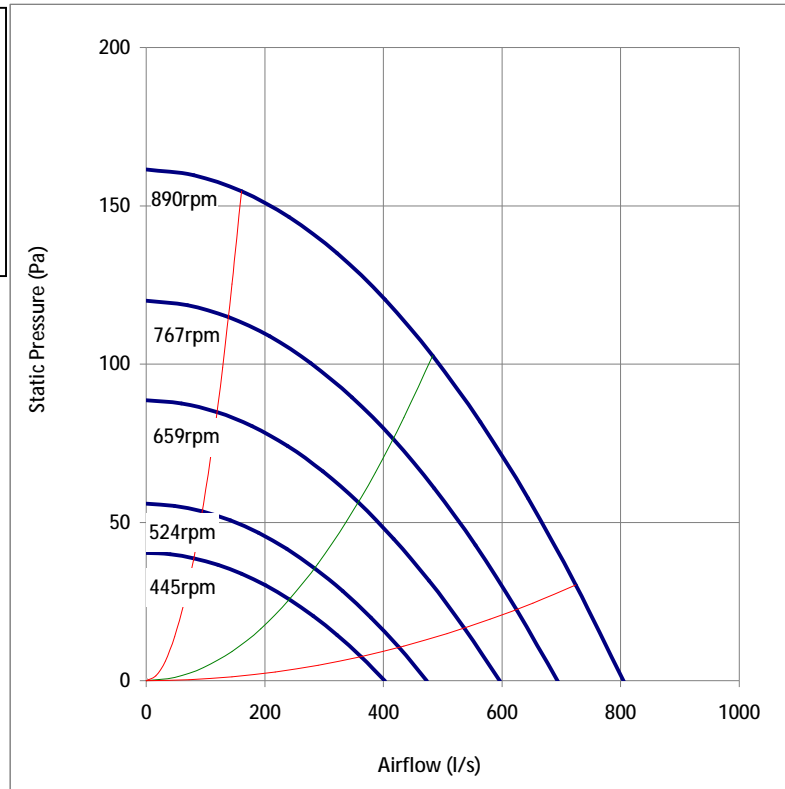
Size 400 mm
 Type Backward Arefoil Curve
 Material Black Composite Material
 Motor finish Powder Coating RAL7032

Motor

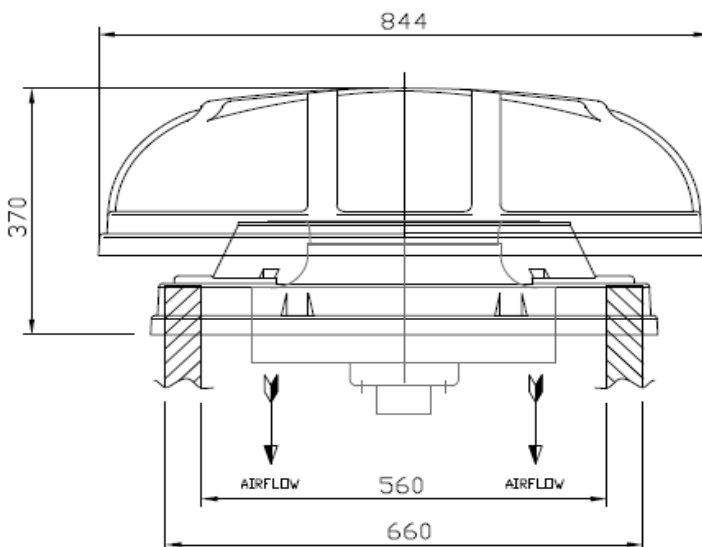
Type External Rotor
 IP Rating 54
 Insulation Class 155
 Power 0.17 Kw
 Power Supply 230V/1PH/50Hz
 Speed 890 RPM
 FLC 0.76 A
 Capacitor 6 µF
 Control RE1.5, 5 Step Controller
 Protection Thermal Contacts

Fan

Cowl Rovel UV Stabilised
 Weight 26 Kg
 Max. Temp 50 °C



Speed (rpm)	Peak Pressure (Pa)	Peak Power (kw)	Motor Running Voltage (V)	Sound Power Level SWL dB re 1pw								Sound Pressure Level dB at 3 meters
				63	125	250	500	1k	2k	4k	8k	
890	162	0.17	230	56	61	56	55	48	45	41	44	36
767	120	0.11	200	53	58	53	52	45	42	38	41	33
659	89	0.07	170	49	54	49	48	41	38	34	37	29
524	56	0.03	130	44	49	44	43	36	33	29	32	24
445	40	0.02	110	41	46	41	40	33	30	26	29	21



Roof Centrifugal Supply Air Fan

PSC-4541S



Impeller

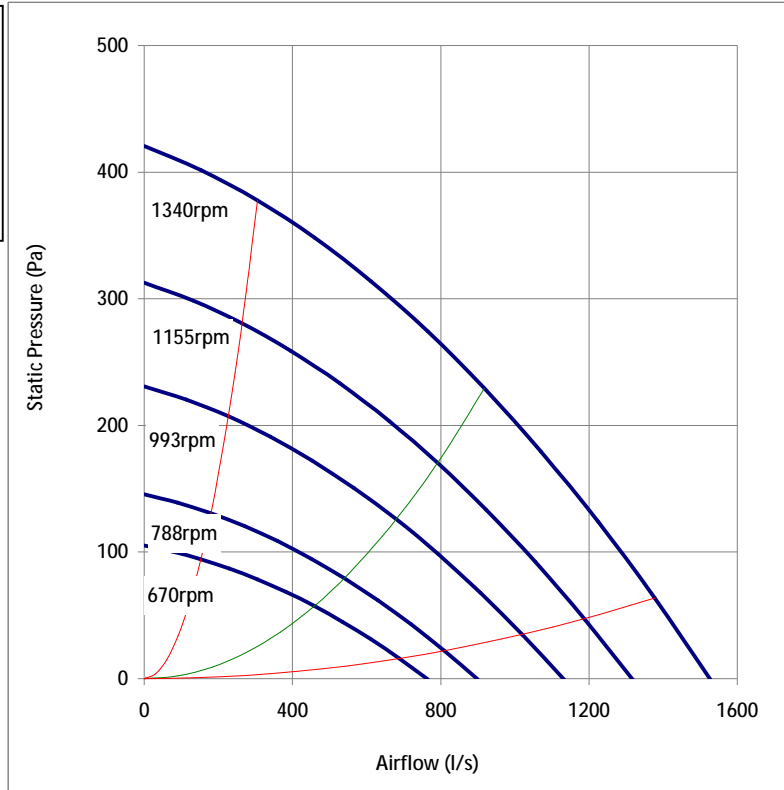
Size 450 mm
 Type Backward Arefoil Curve
 Material Black Composite Material
 Motor finish Powder Coating RAL7032

Motor

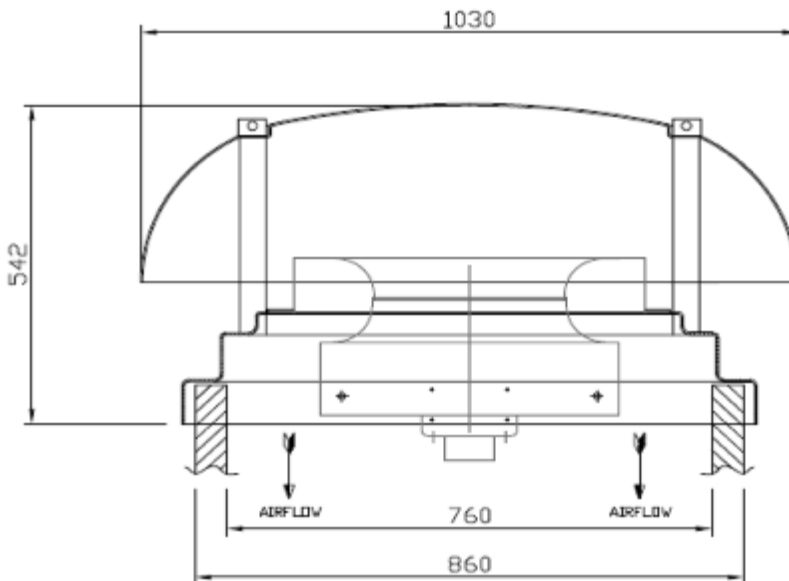
Type External Rotor
 IP Rating 54
 Insulation Class 155
 Power 0.77 Kw
 Power Supply 230V/1PH/50Hz
 Speed 1340 RPM
 FLC 3.60 A
 Capacitor 20 µF
 Control RE7.5, 5 Step Controller
 Protection Thermal Contacts

Fan

Cowl Fibreglass UV Stabilised
 Weight 28 Kg
 Max. Temp 50 °C



Speed (rpm)	Peak Pressure (Pa)	Peak Power (kw)	Motor Running Voltage (V)	Sound Power Level SWL dB re 1pw								Sound Pressure Level dB at 3 meters
				63	125	250	500	1k	2k	4k	8k	
1340	421	0.77	230	68	71	71	64	57	53	49	51	48
1155	313	0.49	200	65	68	68	61	54	50	46	48	45
993	231	0.31	170	61	64	64	57	50	46	42	44	41
788	146	0.16	130	56	59	59	52	45	41	37	39	36
670	105	0.10	110	53	56	56	49	42	38	34	36	33



Roof Centrifugal Supply Air Fan

PSC-4543S



Impeller

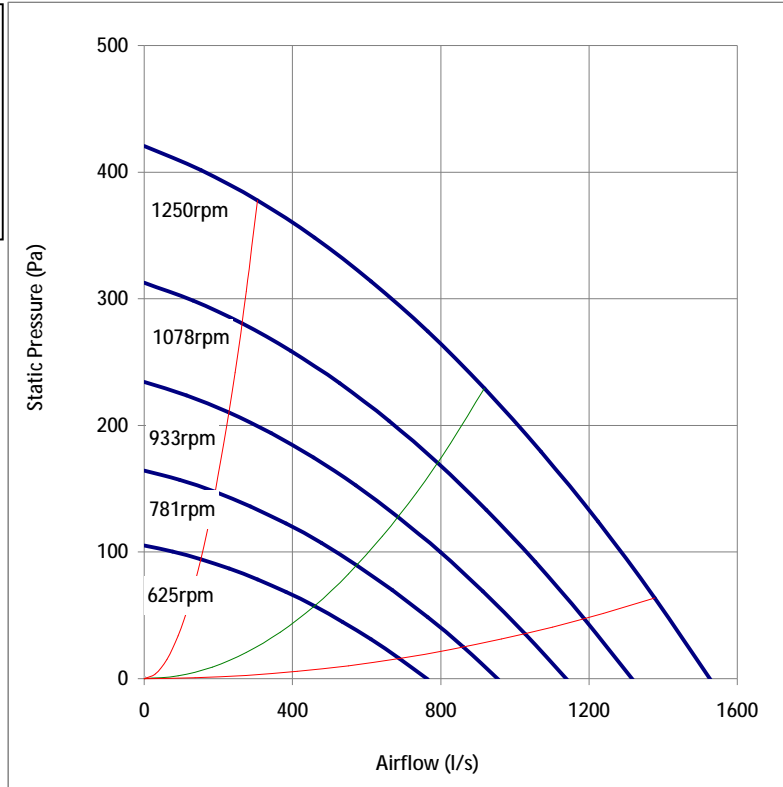
Size 450 mm
 Type Backward Arefoil Curve
 Material Black Composite Material
 Motor finish Powder Coating RAL7032

Motor

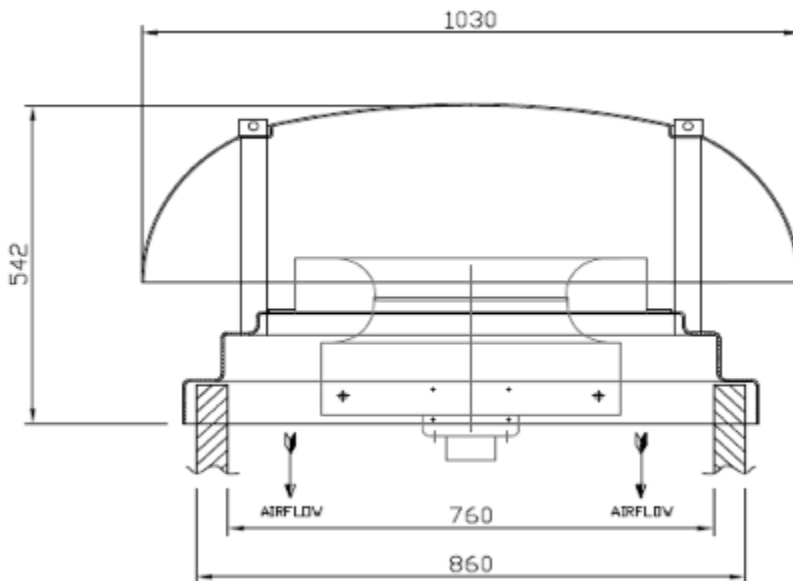
Type External Rotor
 IP Rating 54
 Insulation Class 155
 Power 0.65 Kw
 Power Supply 400V/3PH/50Hz
 Speed 1250 RPM
 FLC 1.30 A
 Capacitor -
 Control Variable Speed Drive
 Protection Thermal Contacts

Fan

Cowl Fibreglass UV Stabilised
 Weight 28 Kg
 Max. Temp 50 °C



Speed (rpm)	Peak Pressure (Pa)	Peak Power (kw)	Running Frequency	Sound Power Level SWL dB re 1pw								Sound Pressure Level dB at 3 meters
				63	125	250	500	1k	2k	4k	8k	
1250	421	0.65	50	68	71	71	64	57	53	49	51	48
1078	313	0.42	43	65	68	68	61	54	50	46	48	45
933	234	0.27	37	62	65	65	58	51	47	43	45	42
781	164	0.16	31	58	61	61	54	47	43	39	41	38
625	105	0.08	25	53	56	56	49	42	38	34	36	33



Roof Centrifugal Supply Air Fan

PSC-4561S



Impeller

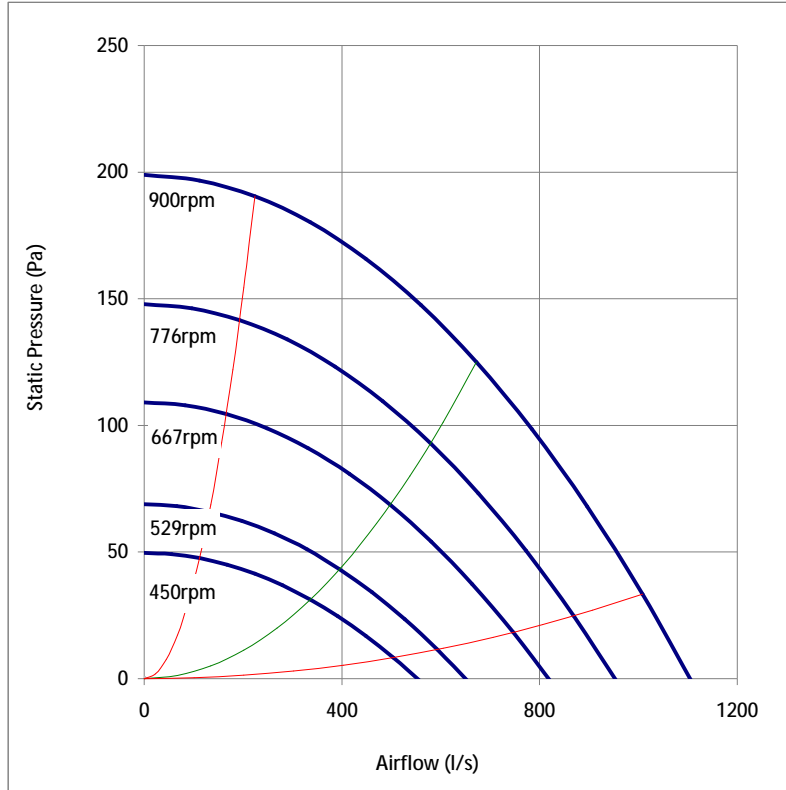
Size 450 mm
 Type Backward Arefoil Curve
 Material Black Composite Material
 Motor finish Powder Coating RAL7032

Motor

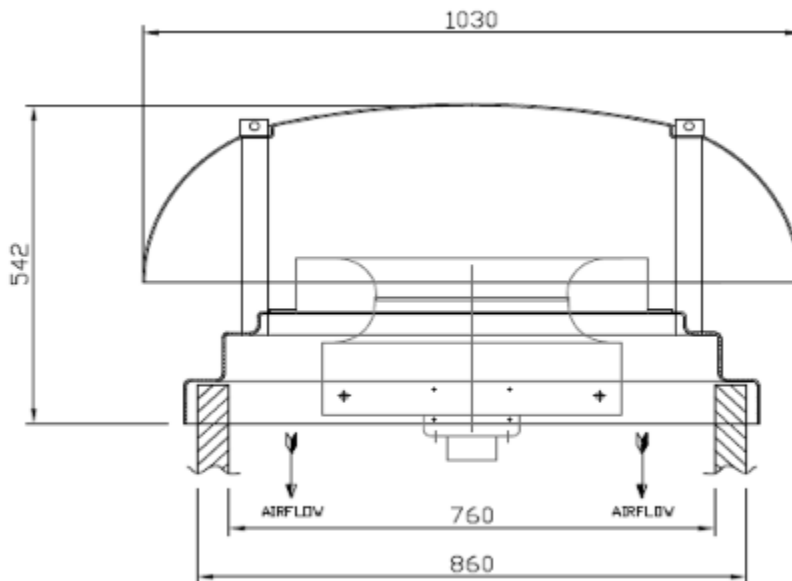
Type External Rotor
 IP Rating 54
 Insulation Class 155
 Power 0.25 Kw
 Power Supply 230V/1PH/50Hz
 Speed 900 RPM
 FLC 1.10 A
 Capacitor 8 µF
 Control RE3.5, 5 Step Controller
 Protection Thermal Contacts

Fan

Cowl Fibreglass UV Stabilised
 Weight 28 Kg
 Max. Temp 50 °C



Speed (rpm)	Peak Pressure (Pa)	Peak Power (kw)	Motor Running Voltage (V)	Sound Power Level SWL dB re 1pw								Sound Pressure Level dB at 3 meters
				63	125	250	500	1k	2k	4k	8k	
900	199	0.25	230	61	64	64	57	50	46	42	44	41
776	148	0.16	200	58	61	61	54	47	43	39	41	38
667	109	0.10	170	54	57	57	50	43	39	35	37	34
529	69	0.05	130	49	52	52	45	38	34	30	32	29
450	50	0.03	110	46	49	49	42	35	31	27	29	26



Roof Centrifugal Supply Air Fan

PSC-4563S



Impeller

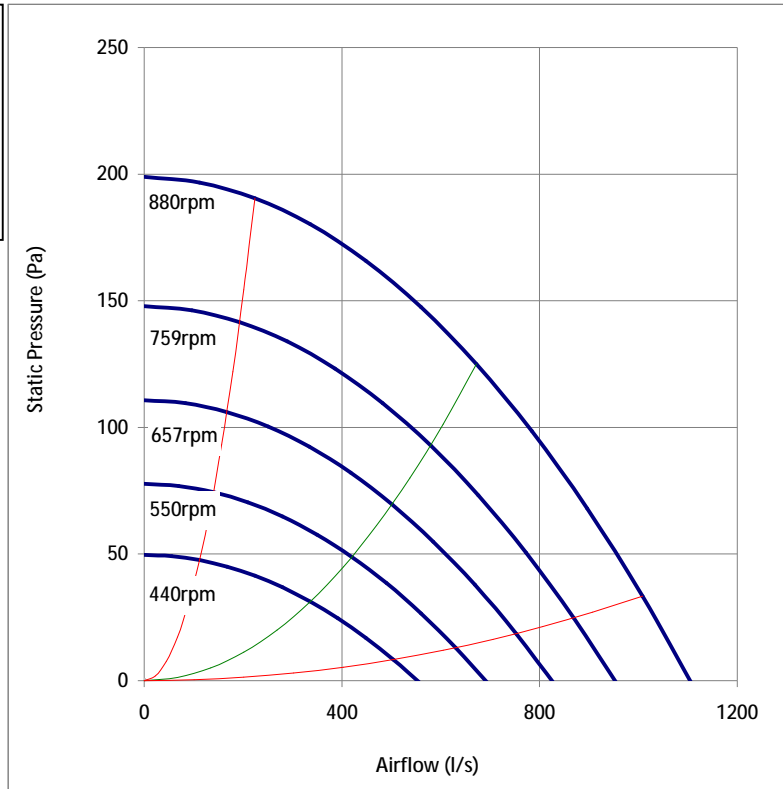
Size 450 mm
 Type Backward Arefoil Curve
 Material Black Composite Material
 Motor finish Powder Coating RAL7032

Motor

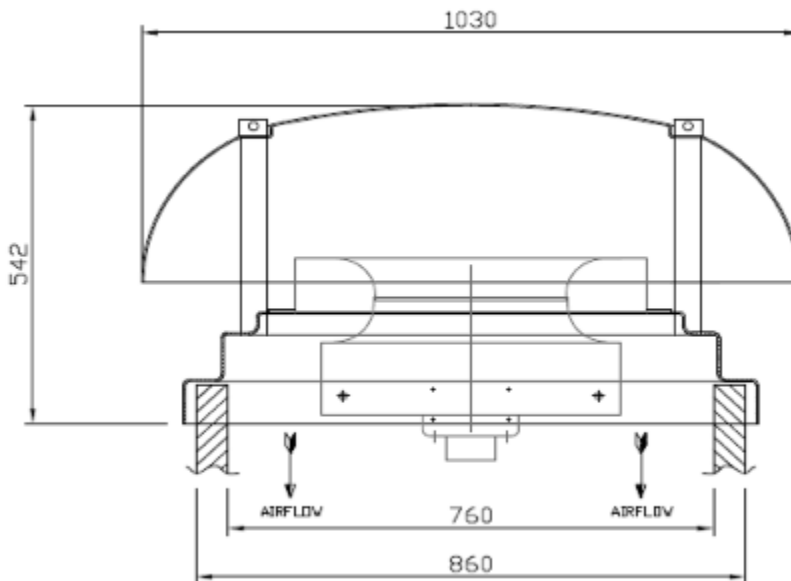
Type External Rotor
 IP Rating 54
 Insulation Class 155
 Power 0.25 Kw
 Power Supply 400V/3PH/50Hz
 Speed 880 RPM
 FLC 0.58 A
 Capacitor -
 Control Variable Speed Drive
 Protection Thermal Contacts

Fan

Cowl Fibreglass UV Stabilised
 Weight 28 Kg
 Max. Temp 50 °C



Speed (rpm)	Peak Pressure (Pa)	Peak Power (kw)	Running Frequency	Sound Power Level SWL dB re 1pw								Sound Pressure Level dB at 3 meters
				63	125	250	500	1k	2k	4k	8k	
880	199	0.25	50	61	64	64	57	50	46	42	44	41
759	148	0.16	43	58	61	61	54	47	43	39	41	38
657	111	0.10	37	55	58	58	51	44	40	36	38	35
550	78	0.06	31	51	54	54	47	40	36	32	34	31
440	50	0.03	25	46	49	49	42	35	31	27	29	26



Roof Centrifugal Supply Air Fan

PSC-5041S



Impeller

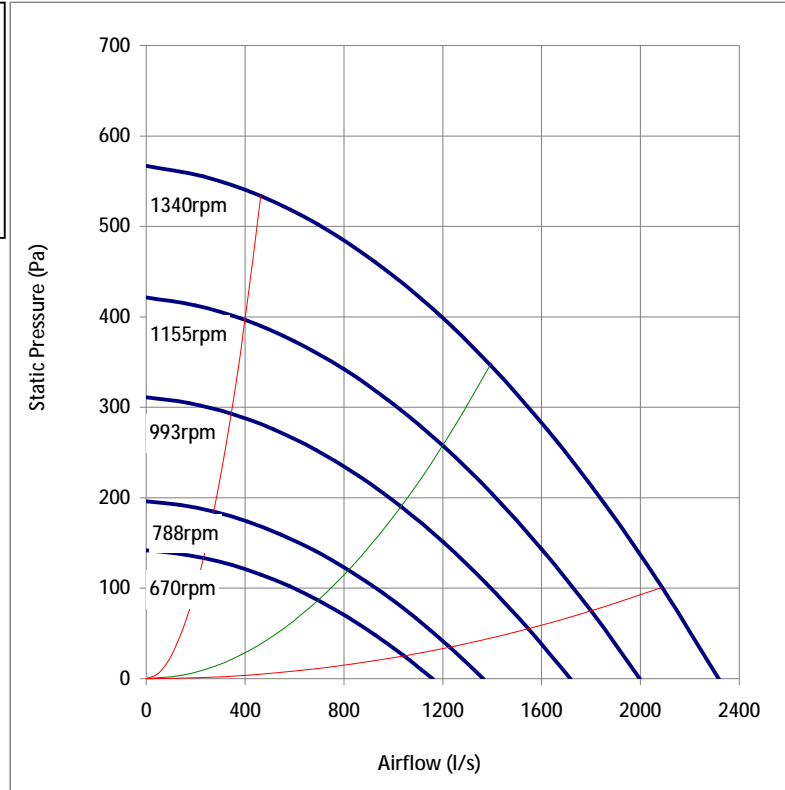
Size 500 mm
 Type Backward Arefoil Curve
 Material Black Composite Material
 Motor finish Powder Coating RAL7032

Motor

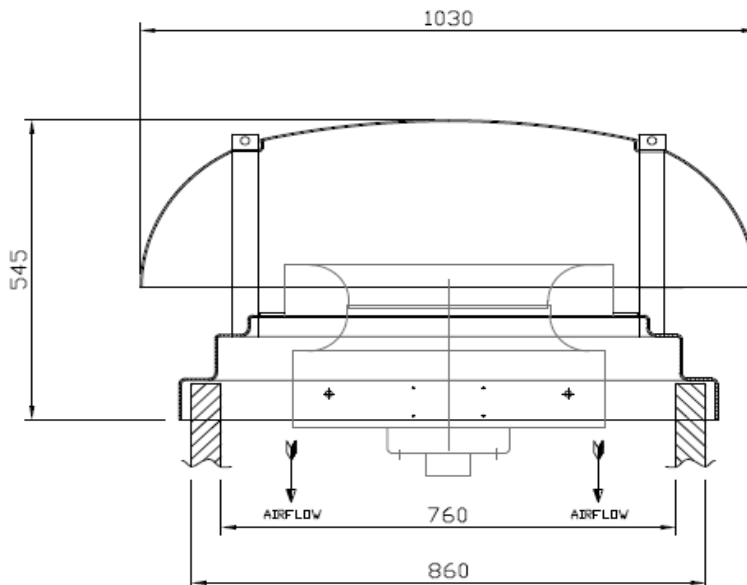
Type External Rotor
 IP Rating 54
 Insulation Class 155
 Power 1.30 Kw
 Power Supply 230V/1PH/50Hz
 Speed 1340 RPM
 FLC 5.80 A
 Capacitor 30 μ F
 Control RE7.5, 5 Step Controller
 Protection Thermal Contacts

Fan

Cowl Fibreglass UV Stabilised
 Weight 35 Kg
 Max. Temp 50 °C



Speed (rpm)	Peak Pressure (Pa)	Peak Power (kw)	Motor Running Voltage (V)	Sound Power Level SWL dB re 1pw								Sound Pressure Level dB at 3 meters
				63	125	250	500	1k	2k	4k	8k	
1340	567	1.30	230	72	78	72	70	64	59	57	61	51
1155	421	0.83	200	69	75	69	67	61	56	54	58	48
993	311	0.53	170	65	71	65	63	57	52	50	54	44
788	196	0.26	130	60	66	60	58	52	47	45	49	39
670	142	0.16	110	57	63	57	55	49	44	42	46	36



Roof Centrifugal Supply Air Fan

PSC-5043S



Impeller

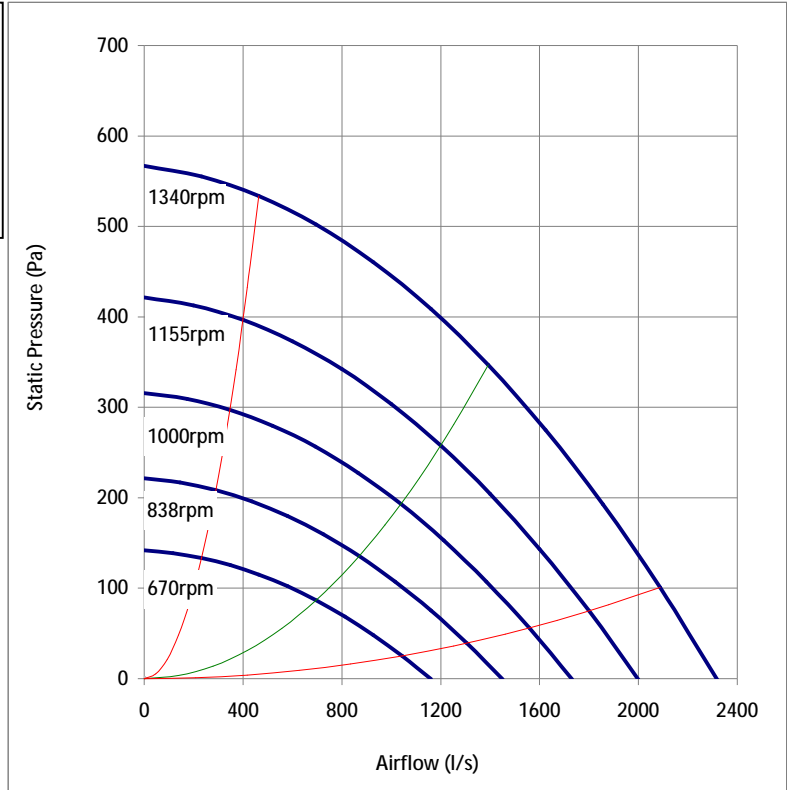
Size 500 mm
 Type Backward Arefoil Curve
 Material Black Composite Material
 Motor finish Powder Coating RAL7032

Motor

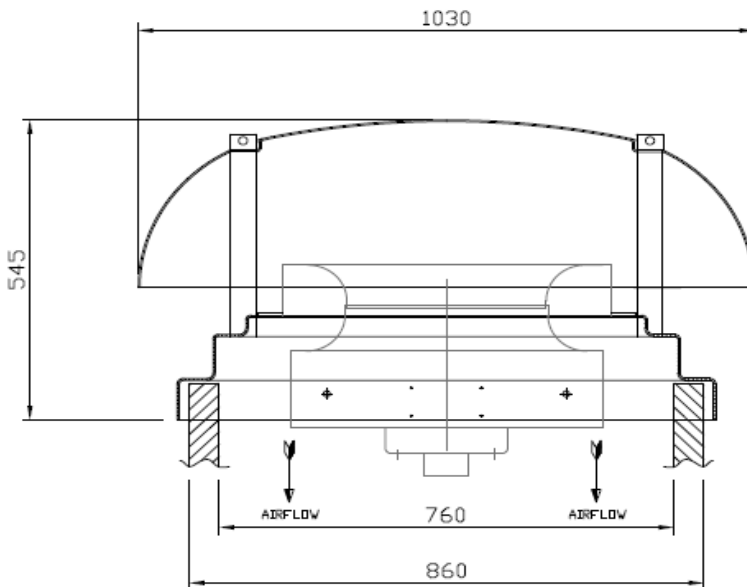
Type External Rotor
 IP Rating 54
 Insulation Class 155
 Power 1.20 Kw
 Power Supply 400V/3PH/50Hz
 Speed 1340 RPM
 FLC 2.20 A
 Capacitor -
 Control Variable Speed Drive
 Protection Thermal Contacts

Fan

Cowl Fibreglass UV Stabilised
 Weight 35 Kg
 Max. Temp 50 °C



Speed (rpm)	Peak Pressure (Pa)	Peak Power (kw)	Running Frequency	Sound Power Level SWL dB re 1pw								Sound Pressure Level dB at 3 meters
				63	125	250	500	1k	2k	4k	8k	
1340	567	1.20	50	72	78	72	70	64	59	57	61	51
1155	421	0.77	43	69	75	69	67	61	56	54	58	48
1000	316	0.50	37	66	72	66	64	58	53	51	55	45
838	221	0.29	31	62	68	62	60	54	49	47	51	41
670	142	0.15	25	57	63	57	55	49	44	42	46	36



Roof Centrifugal Supply Air Fan

PSC-5061S



Impeller

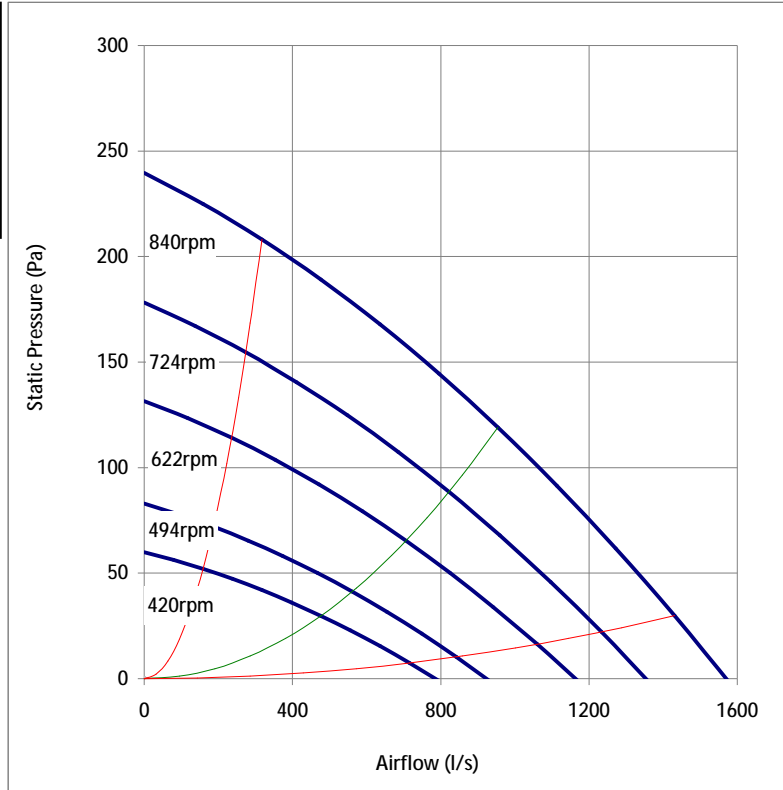
Size 500 mm
 Type Backward Arefoil Curve
 Material Black Composite Material
 Motor finish Powder Coating RAL7032

Motor

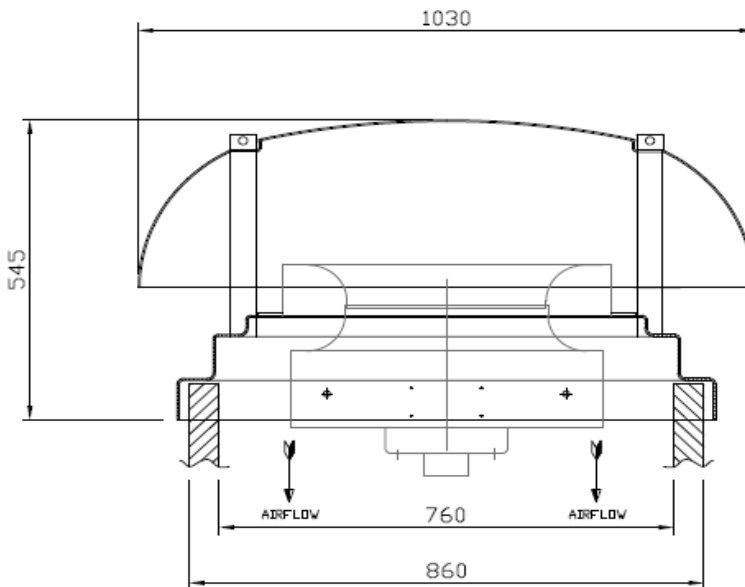
Type External Rotor
 IP Rating 54
 Insulation Class 155
 Power 0.38 Kw
 Power Supply 230V/1PH/50Hz
 Speed 840 RPM
 FLC 1.65 A
 Capacitor 12 µF
 Control RE3.5, 5 Step Controller
 Protection Thermal Contacts

Fan

Cowl Fibreglass UV Stabilised
 Weight 35 Kg
 Max. Temp 50 °C



Speed (rpm)	Peak Pressure (Pa)	Peak Power (kw)	Motor Running Voltage (V)	Sound Power Level SWL dB re 1pw								Sound Pressure Level dB at 3 meters
				63	125	250	500	1k	2k	4k	8k	
840	240	0.38	230	64	70	64	62	56	51	49	53	43
724	178	0.24	200	61	67	61	59	53	48	46	50	40
622	132	0.15	170	57	63	57	55	49	44	42	46	36
494	83	0.08	130	52	58	52	50	44	39	37	41	31
420	60	0.05	110	49	55	49	47	41	36	34	38	28



Roof Centrifugal Supply Air Fan

PSC-5063S



Impeller

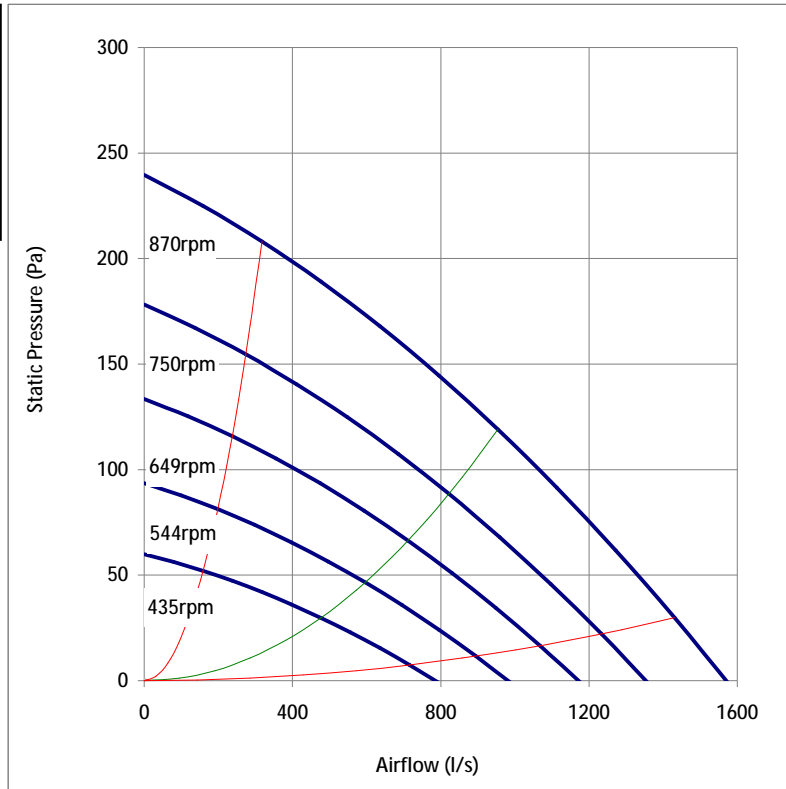
Size 500 mm
 Type Backward Arefoil Curve
 Material Black Composite Material
 Motor finish Powder Coating RAL7032

Motor

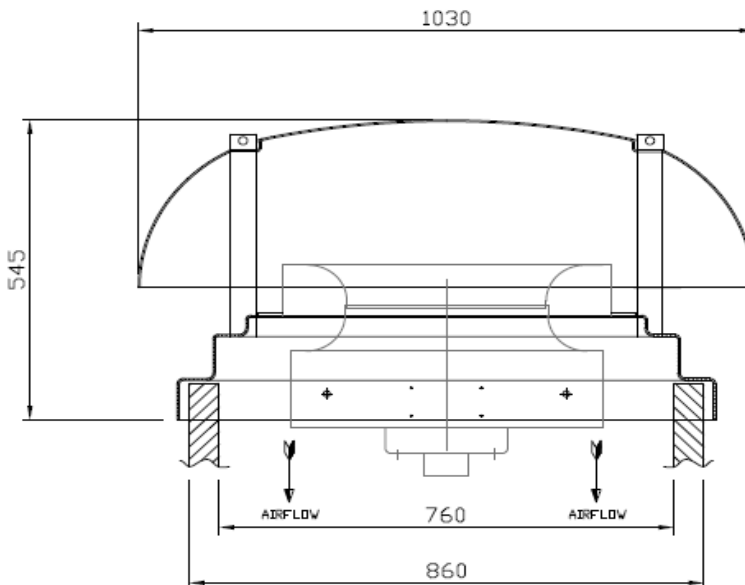
Type External Rotor
 IP Rating 54
 Insulation Class 155
 Power 0.42 Kw
 Power Supply 400V/3PH/50Hz
 Speed 870 RPM
 FLC 0.93 A
 Capacitor -
 Control Variable Speed Drive
 Protection Thermal Contacts

Fan

Cowl Fibreglass UV Stabilised
 Weight 35 Kg
 Max. Temp 50 °C



Speed (rpm)	Peak Pressure (Pa)	Peak Power (kw)	Running Frequency	Sound Power Level SWL dB re 1pw								Sound Pressure Level dB at 3 meters
				63	125	250	500	1k	2k	4k	8k	
870	240	0.42	50	64	70	64	62	56	51	49	53	43
750	178	0.27	43	61	67	61	59	53	48	46	50	40
649	133	0.17	37	58	64	58	56	50	45	43	47	37
544	94	0.10	31	54	60	54	52	46	41	39	43	33
435	60	0.05	25	49	55	49	47	41	36	34	38	28



Roof Centrifugal Supply Air Fan

PSC-5643S



Impeller

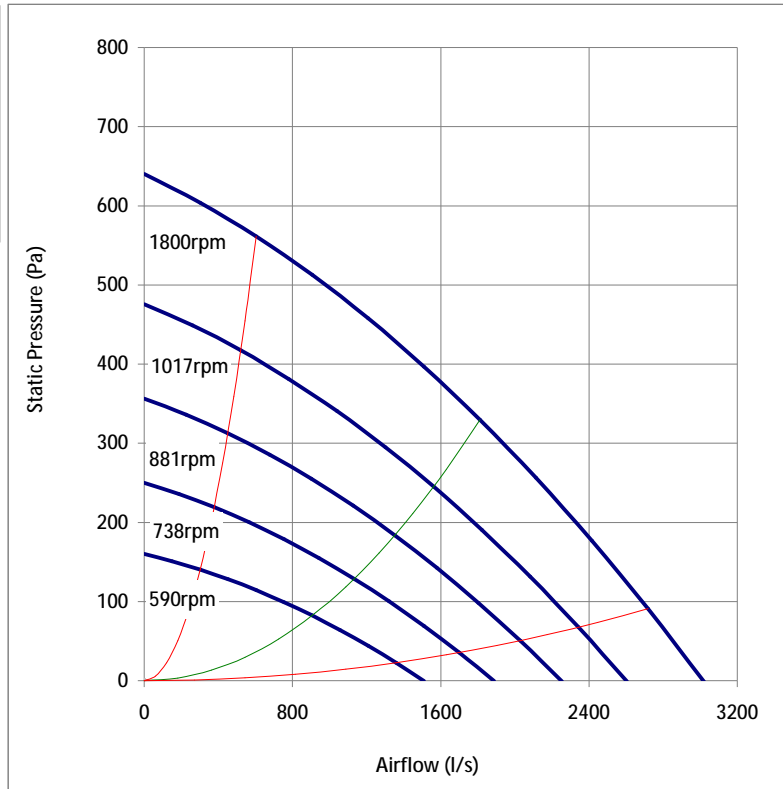
Size 560 mm
 Type Backward Arefoil Curve
 Material Black Composite Material
 Motor finish Powder Coating RAL7032

Motor

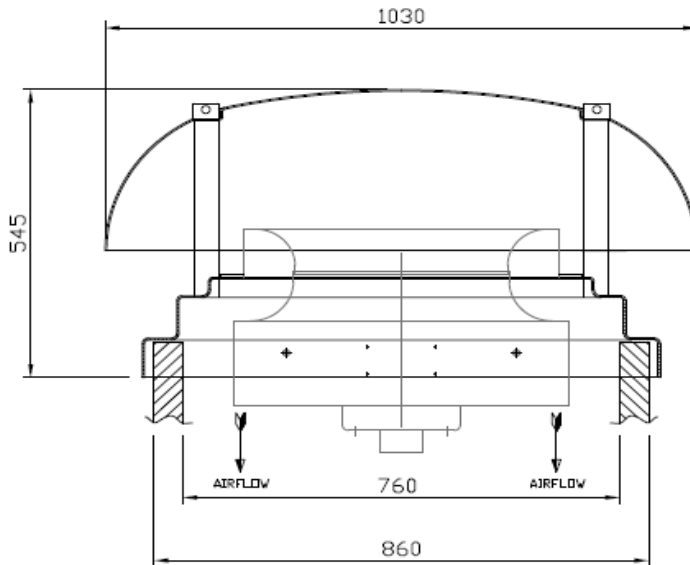
Type External Rotor
 IP Rating 54
 Insulation Class 155
 Power 1.70 Kw
 Power Supply 400V/3PH/50Hz
 Speed 1180 RPM
 FLC 3.30 A
 Capacitor -
 Control Variable Speed Drive
 Protection Thermal Contacts

Fan

Cowl Fibreglass UV Stabilised
 Weight 41 Kg
 Max. Temp 50 °C



Speed (rpm)	Peak Pressure (Pa)	Peak Power (kw)	Running Frequency	Sound Power Level SWL dB re 1pw								Sound Pressure Level dB at 3 meters
				63	125	250	500	1k	2k	4k	8k	
1180	640	1.70	50	70	80	73	68	63	58	56	62	52
1017	476	1.09	43	67	77	70	65	60	55	53	59	49
881	356	0.71	37	64	74	67	62	57	52	50	56	46
738	250	0.42	31	60	70	63	58	53	48	46	52	42
590	160	0.21	25	55	65	58	53	48	43	41	47	37



Roof Centrifugal Supply Air Fan

PSC-5661S



Impeller

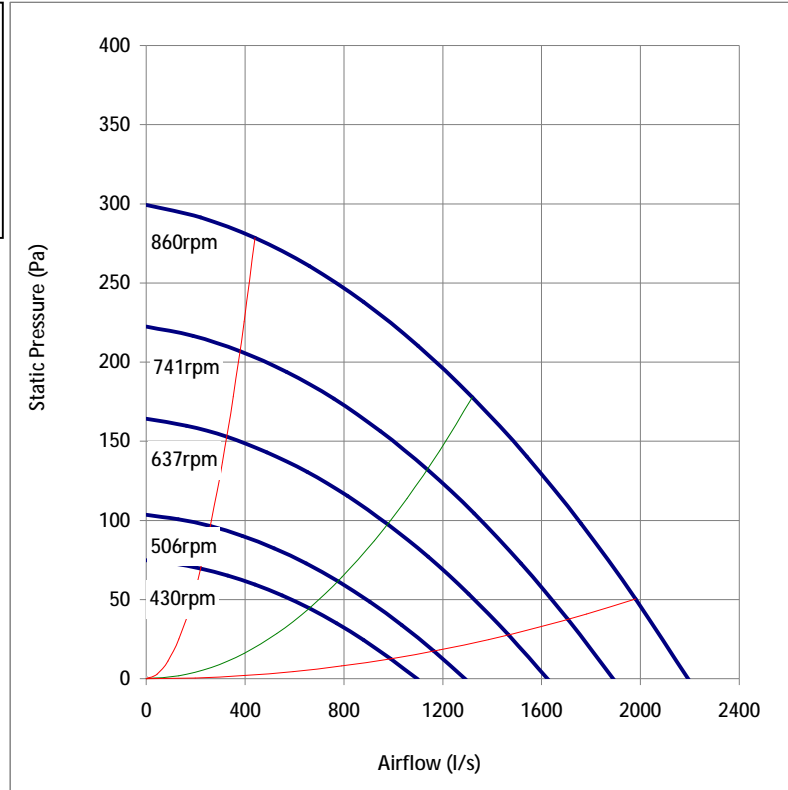
Size 560 mm
 Type Backward Arefoil Curve
 Material Black Composite Material
 Motor finish Powder Coating RAL7032

Motor

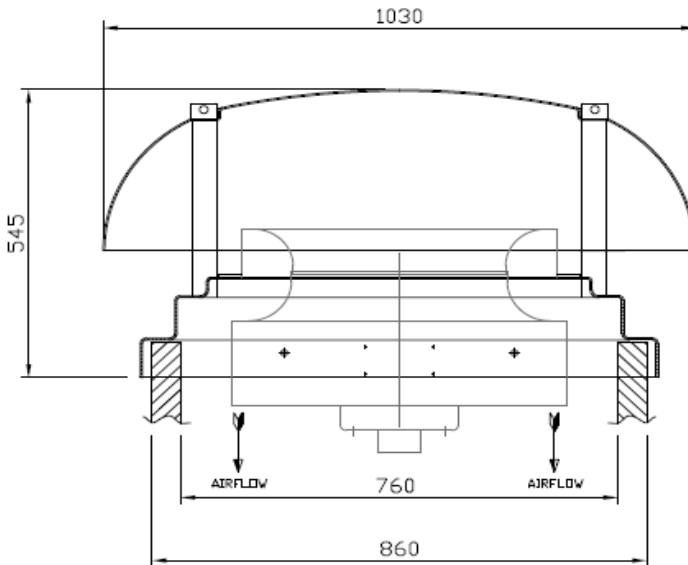
Type External Rotor
 IP Rating 54
 Insulation Class 155
 Power 0.66 Kw
 Power Supply 230V/1PH/50Hz
 Speed 860 RPM
 FLC 3.00 A
 Capacitor 14 µF
 Control RE3.5, 5 Step Controller
 Protection Thermal Contacts

Fan

Cowl Fibreglass UV Stabilised
 Weight 41 Kg
 Max. Temp 50 °C



Speed (rpm)	Peak Pressure (Pa)	Peak Power (kw)	Motor Running Voltage (V)	Sound Power Level SWL dB re 1pw								Sound Pressure Level dB at 3 meters
				63	125	250	500	1k	2k	4k	8k	
860	299	0.66	230	63	73	66	61	56	51	49	55	44
741	222	0.42	200	60	70	63	58	53	48	46	52	41
637	164	0.27	170	56	66	59	54	49	44	42	48	37
506	104	0.13	130	51	61	54	49	44	39	37	43	32
430	75	0.08	110	48	58	51	46	41	36	34	40	29



Roof Centrifugal Supply Air Fan

PSC-5663S



Impeller

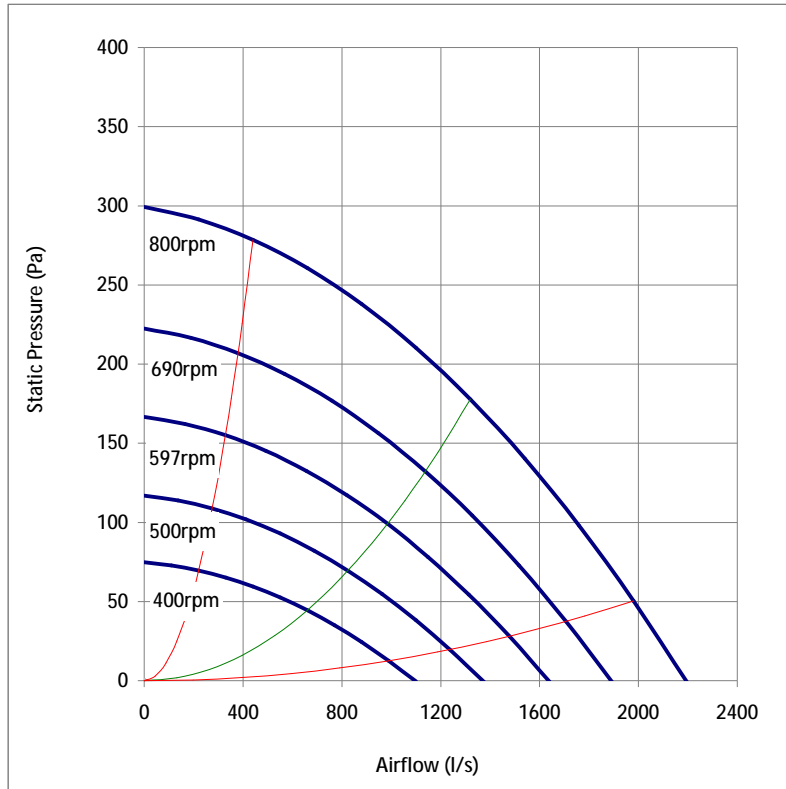
Size 560 mm
 Type Backward Arefoil Curve
 Material Black Composite Material
 Motor finish Powder Coating RAL7032

Motor

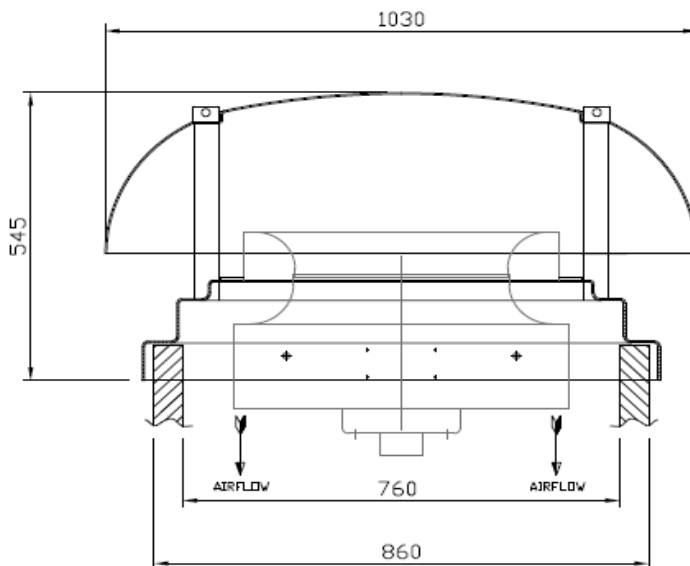
Type External Rotor
 IP Rating 54
 Insulation Class 155
 Power 0.61 Kw
 Power Supply 400V/3PH/50Hz
 Speed 800 RPM
 FLC 1.05 A
 Capacitor -
 Control Variable Speed Drive
 Protection Thermal Contacts

Fan

Cowl Fibreglass UV Stabilised
 Weight 41 Kg
 Max. Temp 50 °C



Speed (rpm)	Peak Pressure (Pa)	Peak Power (kw)	Running Frequency	Sound Power Level SWL dB re 1pw								Sound Pressure Level dB at 3 meters
				63	125	250	500	1k	2k	4k	8k	
800	299	0.61	50	63	73	66	61	56	51	49	55	44
690	222	0.39	43	60	70	63	58	53	48	46	52	41
597	167	0.25	37	57	67	60	55	50	45	43	49	38
500	117	0.15	31	53	63	56	51	46	41	39	45	34
400	75	0.08	25	48	58	51	46	41	36	34	40	29



Roof Centrifugal Supply Air Fan

PSC-6343S



Impeller

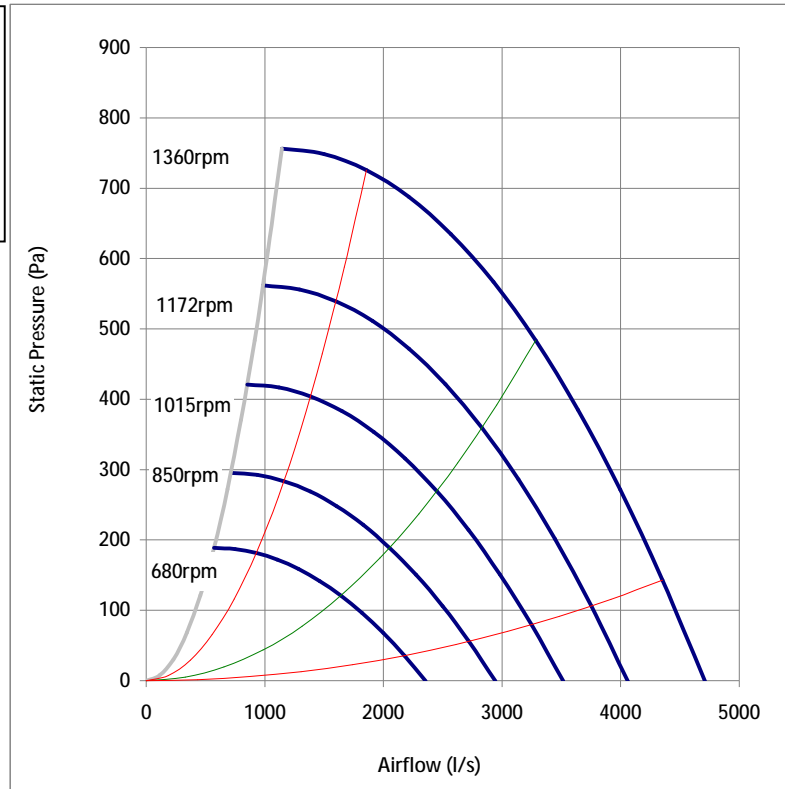
Size 630 mm
 Type Backward Arefoil Curve
 Material Black Composite Material
 Motor finish Powder Coating RAL7032

Motor

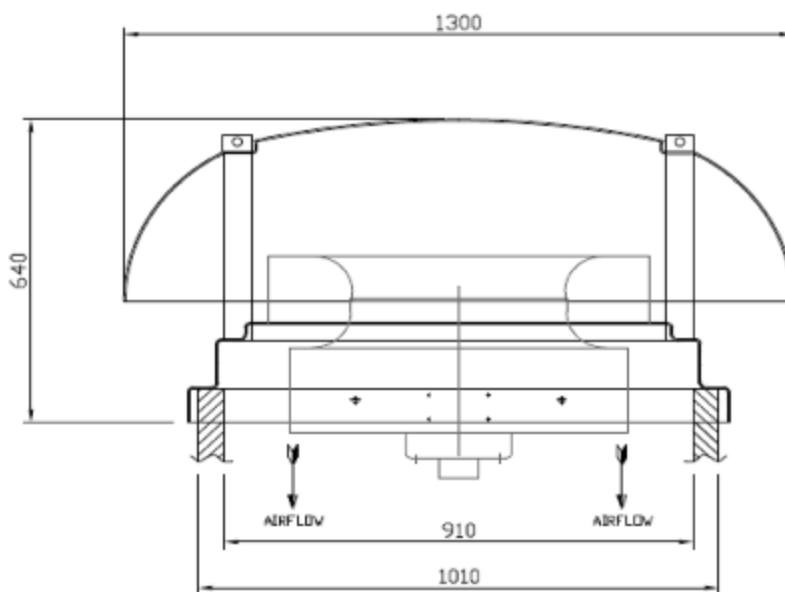
Type External Rotor
 IP Rating 54
 Insulation Class 155
 Power 3.90 Kw
 Power Supply 400V/3PH/50Hz
 Speed 1360 RPM
 FLC 6.60 A
 Capacitor -
 Control Variable Speed Drive
 Protection Thermal Contacts

Fan

Cowl Fibreglass UV Stabilised
 Weight 55 Kg
 Max. Temp 50 °C



Speed (rpm)	Peak Pressure (Pa)	Peak Power (kw)	Running Frequency	Sound Power Level SWL dB re 1pw								Sound Pressure Level dB at 3 meters
				63	125	250	500	1k	2k	4k	8k	
1360	756	3.90	50	81	86	82	77	78	72	69	64	60
1172	562	2.50	43	78	83	79	74	75	69	66	61	57
1015	421	1.62	37	75	80	76	71	72	66	63	58	54
850	295	0.95	31	71	76	72	67	68	62	59	54	50
680	189	0.49	25	66	71	67	62	63	57	54	49	45



Roof Centrifugal Supply Air Fan

PSC-6363S



Impeller

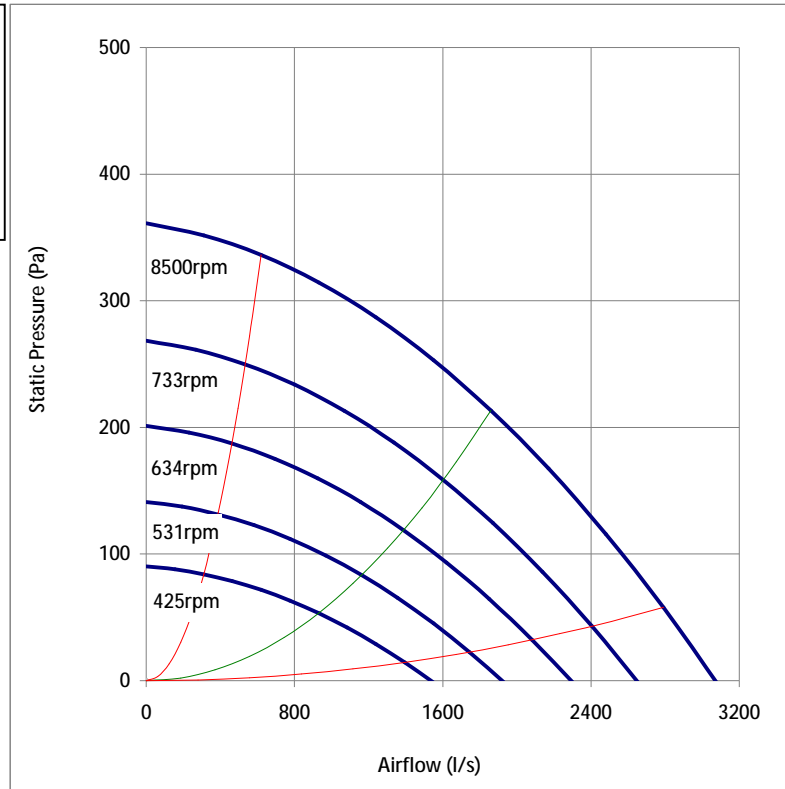
Size 630 mm
 Type Backward Arefoil Curve
 Material Black Composite Material
 Motor finish Powder Coating RAL7032

Motor

Type External Rotor
 IP Rating 54
 Insulation Class 155
 Power 1.10 Kw
 Power Supply 400V/3PH/50Hz
 Speed 850 RPM
 FLC 2.20 A
 Capacitor -
 Control Variable Speed Drive
 Protection Thermal Contacts

Fan

Cowl Fibreglass UV Stabilised
 Weight 55 Kg
 Max. Temp 50 °C



Speed (rpm)	Peak Pressure (Pa)	Peak Power (kw)	Running Frequency	Sound Power Level SWL dB re 1pw								Sound Pressure Level dB at 3 meters
				63	125	250	500	1k	2k	4k	8k	
850	361	1.10	50	73	78	74	69	70	64	61	56	53
733	268	0.70	43	70	75	71	66	67	61	58	53	50
634	201	0.46	37	67	72	68	63	64	58	55	50	47
531	141	0.27	31	63	68	64	59	60	54	51	46	43
425	90	0.14	25	58	63	59	54	55	49	46	41	38

