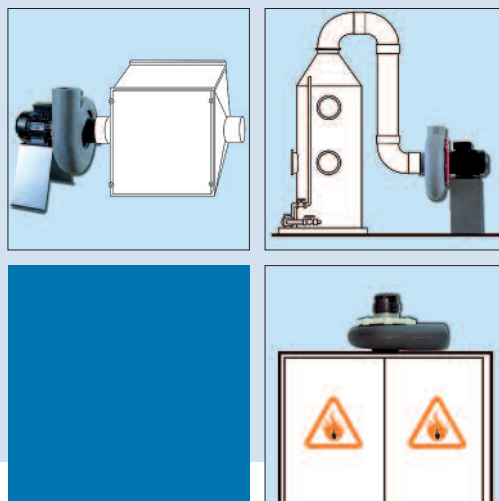


STORM

Series

Specifications



Applications: Ventilation of safety cabinets (STORM 10), scrubbers, fume capture arms, filter housing, etc. (STORM 12, 14, 16).

Housings: PP*



Single block strong high density UV treated and recyclable polypropylene (PPH) with no air leakage. All fan mounting hardware in stainless steel. Rotatable to any of 8 standard discharge positions by 45° increments.

* with the exception of STORM 10: PE.

Wheels: PP



Forward curved centrifugal type impeller made of injection molded PPH. Fan wheel supplied with motor shaft bushing and hub cap constructed of PPH. Wheels electronically and dynamically balanced. LG/CCW rotation only.

Motors



Direct drive, asynchronous, single or three phase, IP55. Single speed: three phase 230/400V-50/60 Hz, single phase 230V-50Hz. Explosion proof motors available on request. Motor is outside the corrosive airstream. Three phase motors speed adjustable by variable frequency inverter drive. STORM 10 is also available with external rotor IP 20 motor for quiet performance.

Motor support: Several options: no stand, metal stand or polypropylene motor pedestal.

ATEX



SEAT Series Fans are also available in ATEX Zone II, known outside Europe as explosion proof, category 3 G execution in accordance with ATEX directive 94/9/CE. ATEX declaration of conformity available on our web site www.seat-ventilation.com.

Performance: Fan performance based on tests conducted in accordance with AMCA 210-85 and ISO 5801.

Temperature resistance: PPH casing and wheel recommended up to 80°C.


Warranty

SEAT VENTILATION warrants its equipment to be free from defects in workmanship and material under normal use and service for one year after shipment. Warranty is void if damage results from improper wiring or installation.

Electrical data and weight*

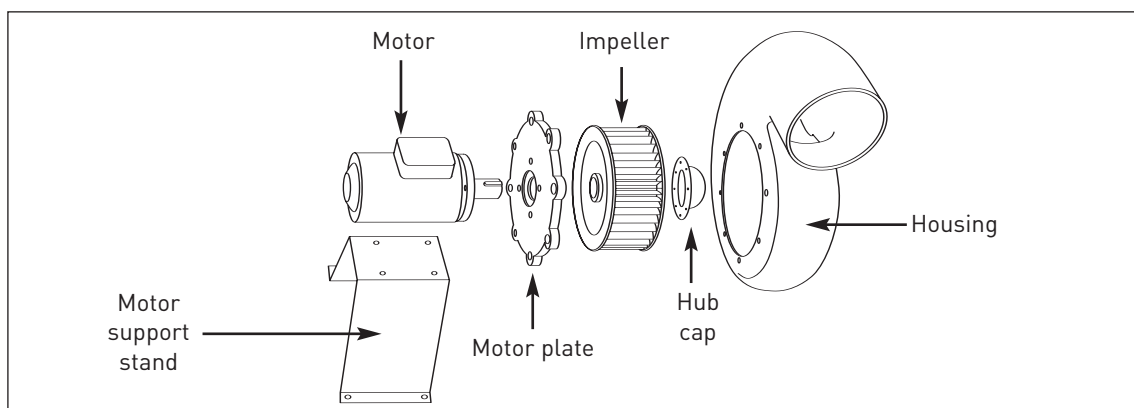
| | RPM (T/min) | (kW) | (V) | AMP draw (A) | Weight (Kgs) |
|---------------------|----------------|------|-----|-----------------|-----------------|
| Single phase | | | | | |
| STORM 10 | 1250 | 0,04 | 230 | 0,31 | 4,33 |
| | 1500 | 0,09 | 230 | 1,12 | 3,00 |
| | 3000 | 0,12 | 230 | 1,20 | 4,43 |
| STORM 12 | 1500 | 0,25 | 230 | 2,50 | 7,03 |
| | 3000 | 0,37 | 230 | 3,10 | 7,53 |

| | | | | | |
|--------------------|------|------|---------|-----------|-------|
| Three phase | | | | | |
| STORM 10 | 1500 | 0,09 | 230/400 | 0,63/0,37 | 4,00 |
| | 3000 | 0,12 | 230/400 | 0,80/0,46 | 4,33 |
| STORM 12 | 1500 | 0,25 | 230/400 | 1,70/0,96 | 7,3 |
| | 3000 | 0,37 | 230/400 | 1,70/1,00 | 7,4 |
| STORM 14 | 3000 | 1,10 | 230/400 | 4,70/2,70 | 15,80 |
| STORM 16 | 3000 | 2,20 | 230/400 | 8,80/5,10 | 20,59 |

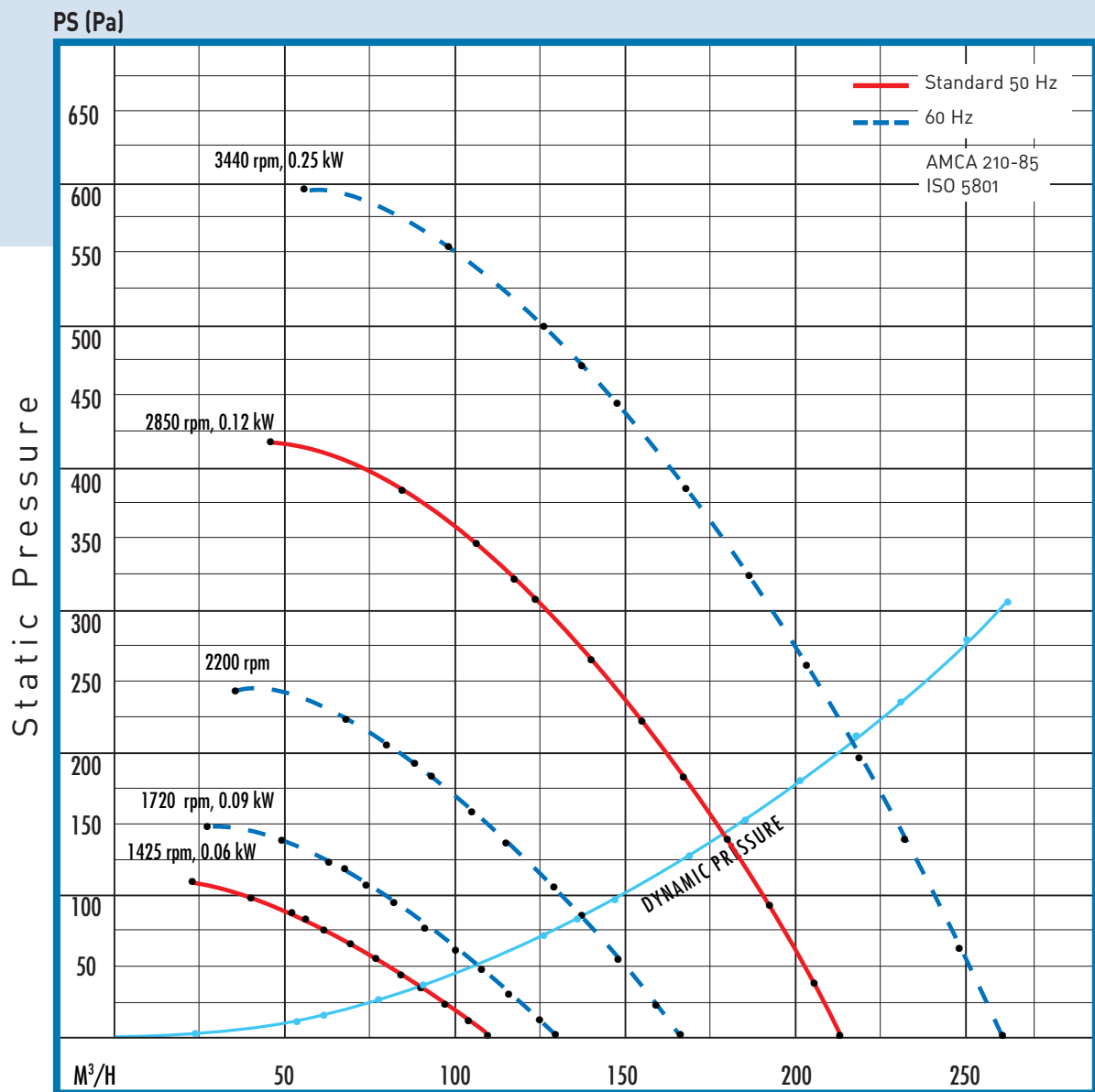
| | | | | | |
|---|------|------|---------|-----------|-------|
| ATEX  | | | | | |
| STORM 12 ATEX | 1500 | 0,18 | 230/400 | 0,97/0,56 | 13,6 |
| | 3000 | 0,37 | 230/400 | 1,64/0,95 | 16,6 |
| STORM 14 ATEX | 3000 | 1,10 | 230/400 | 4,4/2,5 | 23,10 |
| STORM 16 ATEX | 3000 | 2,20 | 230/400 | 8,00/4,60 | 33,70 |

*Tabulated current values are approximate and depend on make and model of the motor.

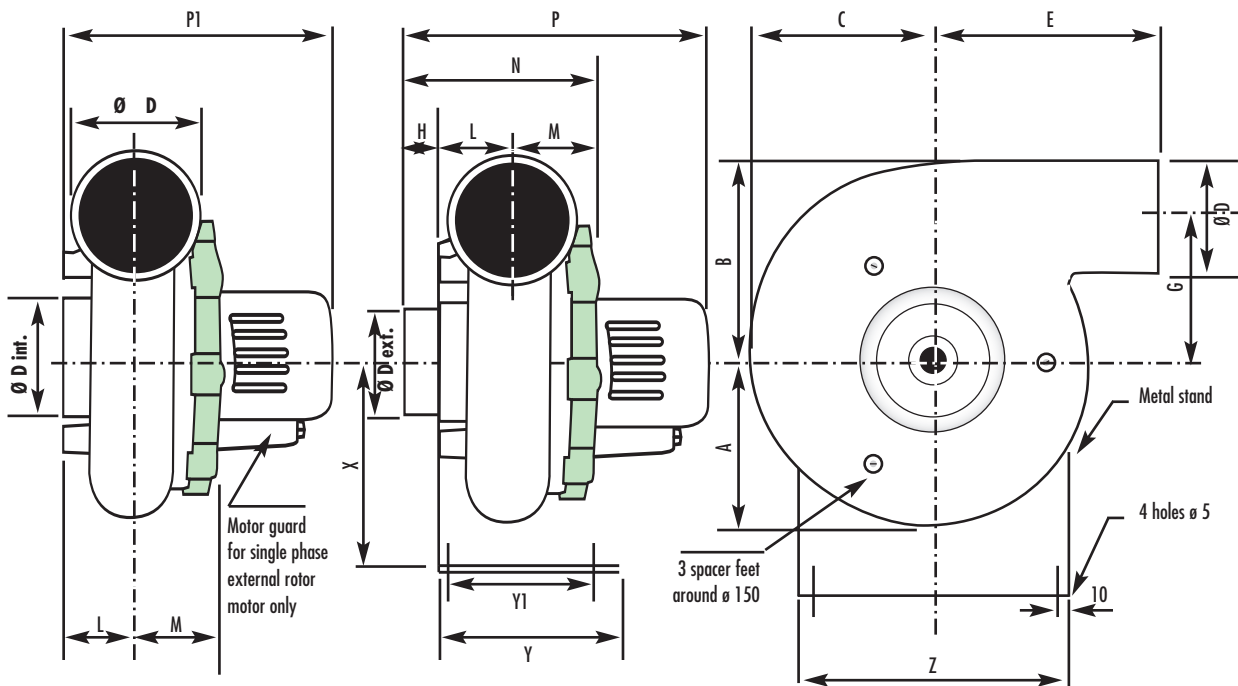
Assembly drawing for Storm 12, Storm 14 and Storm 16



STORM 10



| Sound level | | | | | | |
|-------------|--------------|--------|---------|---------|--------------|-----------------|
| Type | RPM | 500 Hz | 1000 Hz | 2500 Hz | LW Global dB | LW Global dB(A) |
| STORM 10 | 1400/4 poles | 49,8 | 45 | 49,8 | 61,6 | 52,3 |
| | 2850/2 poles | 66,9 | 65 | 60,3 | 80,8 | 69,7 |



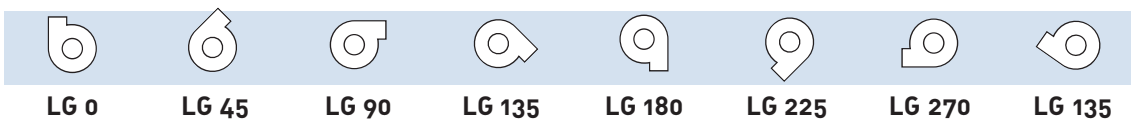
**Dimensional data (mm). Metal stand does not come standard with fan (see accessories pricing).
Motor frame size may vary upon type of motor used.**

| A | B | C | Ø D | E | G | H | L | M | N | Y | Y ₁ | Z | X |
|-----|-----|-----|-----|-----|----|----|----|----|-----|-----|----------------|-----|-----|
| 115 | 135 | 127 | 75 | 158 | 97 | 32 | 48 | 57 | 137 | 120 | 100 | 165 | 135 |

Motor type

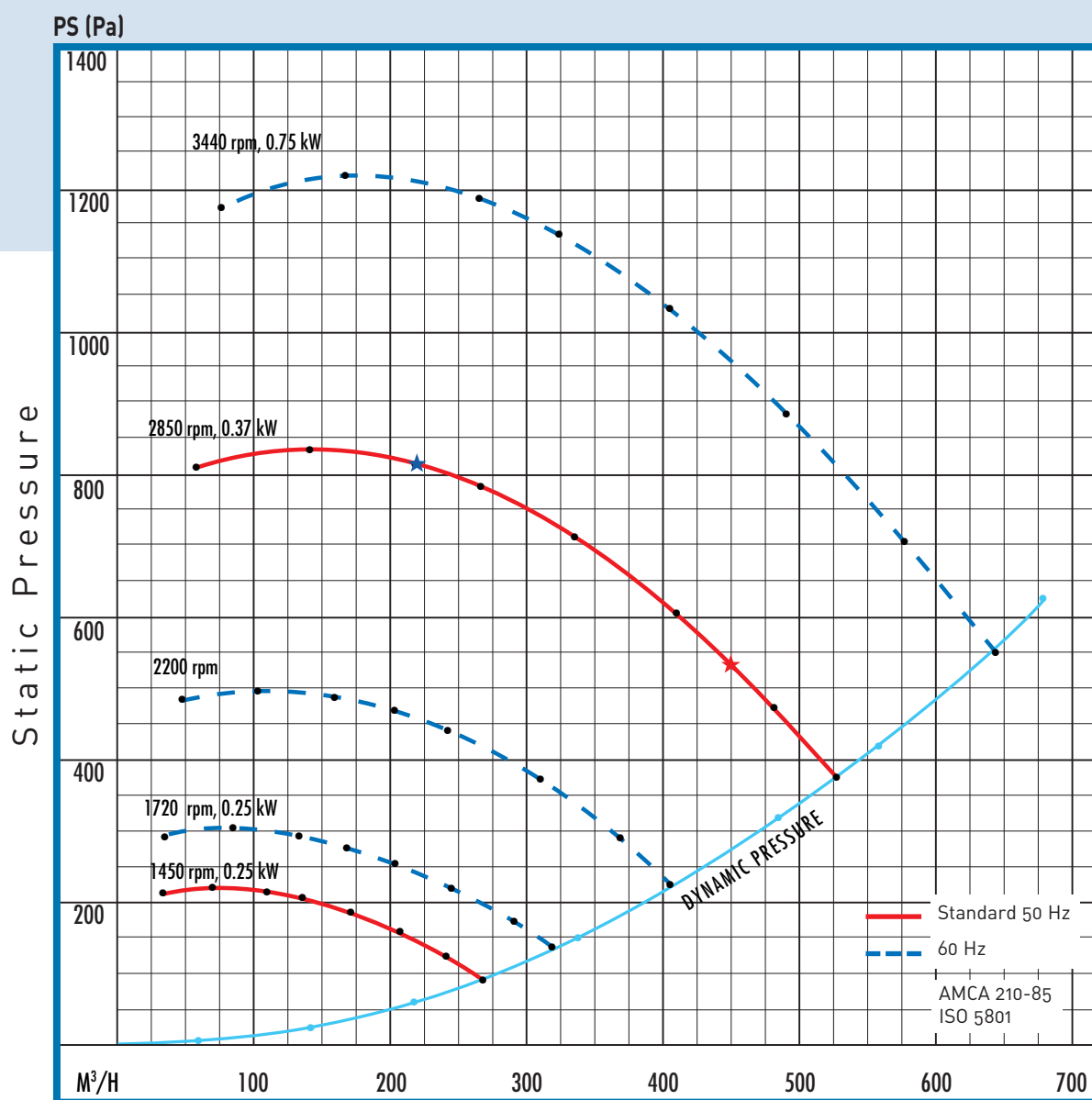
| | P1 | P |
|------------------------------------|-----|-----|
| Single phase, rotor exterior, IP20 | 173 | 205 |
| ATEX | 262 | 295 |
| Three phase, IP55 | 253 | 285 |

Handings with IP55 motor type are viewed from inlet side - 45 degree adjustable



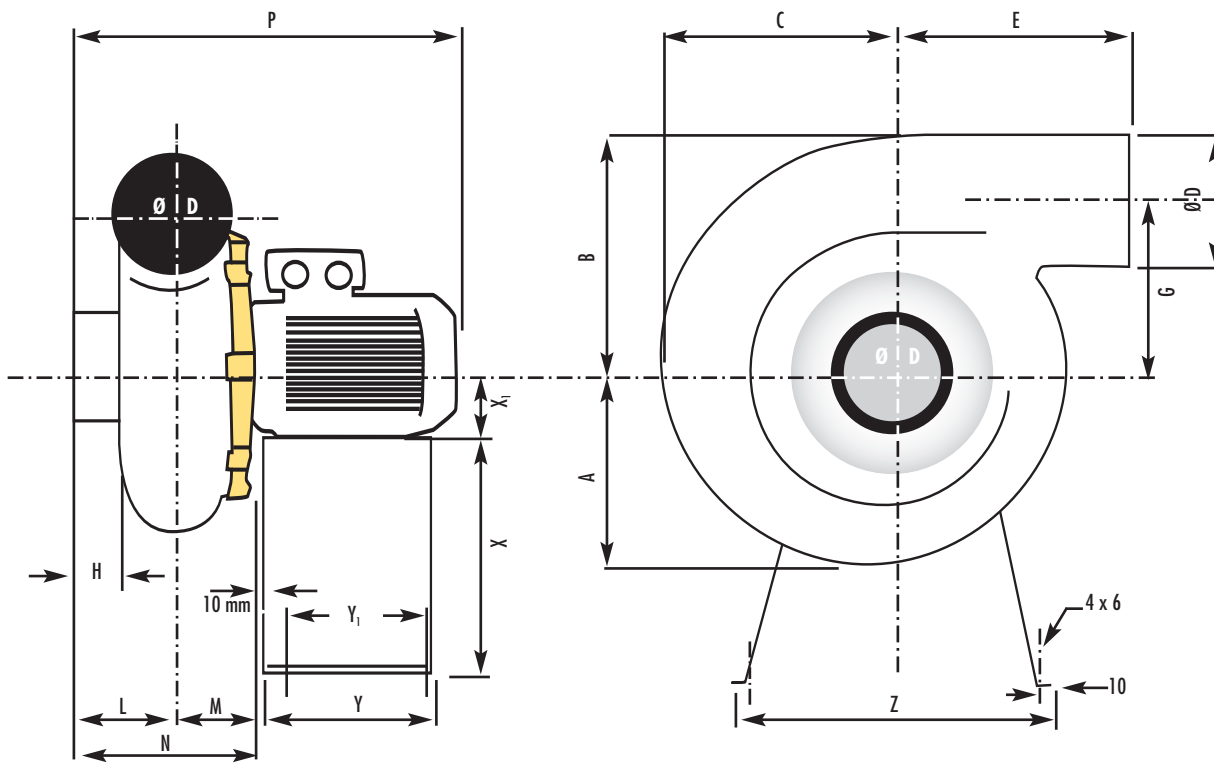
LG 0 and LG 90 are handings with IP20 motor type.

STORM 12



Sound level

| Type | RPM | 50 Hz | 100 Hz | 250 Hz | 500 Hz | 1000 Hz | 2500 Hz | 5000 Hz | 10000 Hz | LW Global dB | LW Global dB(A) |
|----------|--------------|-------|--------|--------|--------|---------|---------|---------|----------|--------------|-----------------|
| STORM 12 | 1400/4 poles | 79,9 | 71,9 | 63,6 | 66 | 55,7 | 47,7 | 43,3 | 41,4 | 83,9 | 71,7 |
| | 2800/2 poles | 92,5 | 88,5 | 76,4 | 73 | 76,4 | 63,3 | 62,4 | 58 | 98,1 | 85,8 |



**Dimensional data (mm). Metal stand does not come standard with fan (see accessories pricing).
Motor frame size may vary upon type of motor used.**

| A | B | C | Ø D | E | G | H | L | M | N | P | Y | Y ₁ | Z | X | X ₁ |
|-----|-----|-----|-----|-----|-----|----|----|----|-----|-----|-----|----------------|-----|-----|----------------|
| 145 | 175 | 163 | 90 | 212 | 130 | 45 | 80 | 72 | 152 | 350 | 180 | 160 | 340 | 240 | 71 |

Handings with IP55 motor type are viewed from inlet side - 45 degree adjustable



LG 0



LG 45



LG 90



LG 135



LG 180



LG 225

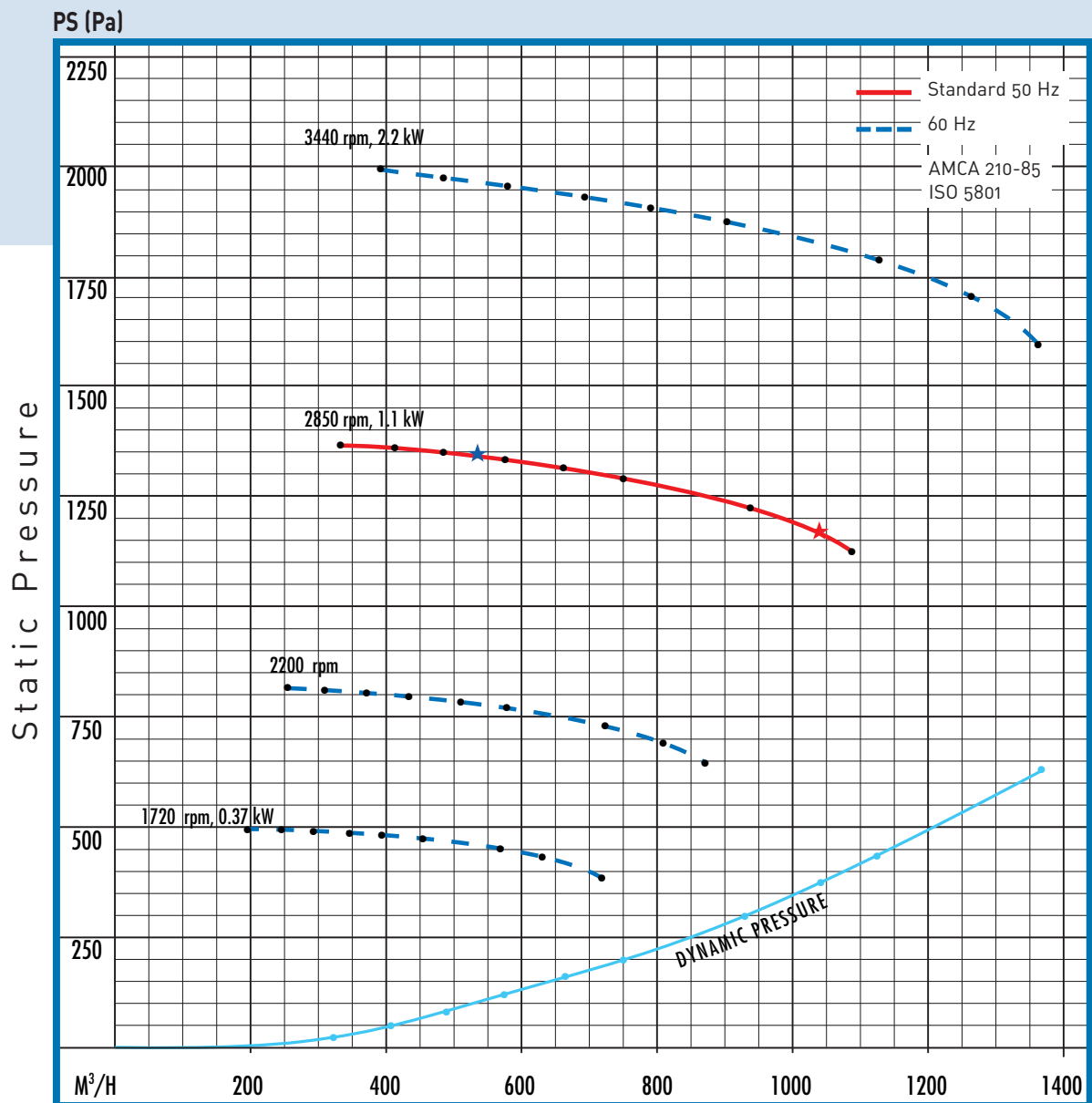


LG 270



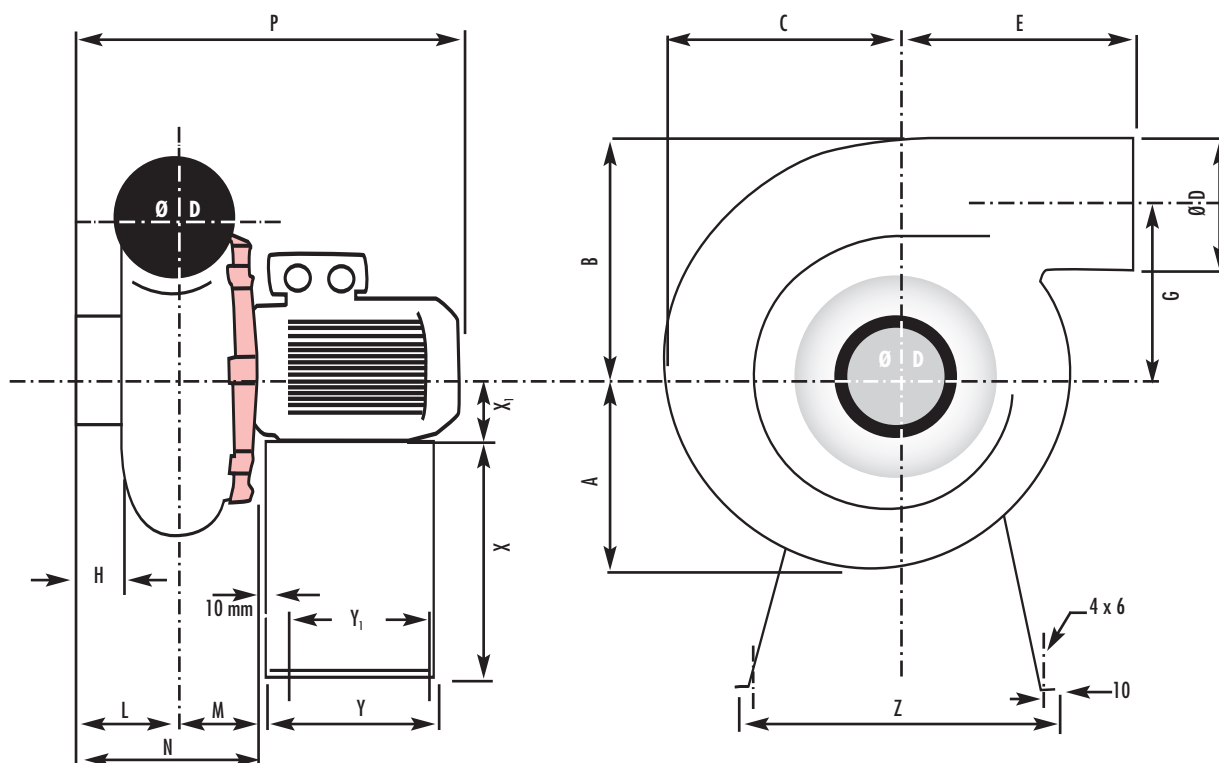
LG 135

STORM 14



Sound level

| Type | RPM | 50 Hz | 100 Hz | 250 Hz | 500 Hz | 1000 Hz | 2500 Hz | 5000 Hz | 10000 Hz | LW Global dB | LW Global dB(A) |
|----------|--------------|-------|--------|--------|--------|---------|---------|---------|----------|--------------|-----------------|
| STORM 14 | 2800/2 poles | 104,7 | 90,2 | 87,3 | 84 | 80 | 71,8 | 69,3 | 64,7 | 105,8 | 89,8 |



Dimensional data (mm). Metal stand does not come standard with fan (see accessories pricing).
Motor frame size may vary upon type of motor used.

| A | B | C | Ø D | E | G | H | L | M | N | P | Y | Y ₁ | Z | X | X ₁ |
|-----|-----|-----|-----|-----|-----|----|-----|----|-----|-----|-----|----------------|-----|-----|----------------|
| 188 | 232 | 227 | 125 | 218 | 170 | 55 | 110 | 83 | 193 | 433 | 180 | 160 | 340 | 240 | 80 |

Handings with IP55 motor type are viewed from inlet side - 45 degree adjustable



LG 0



LG 45



LG 90



LG 135



LG 180



LG 225

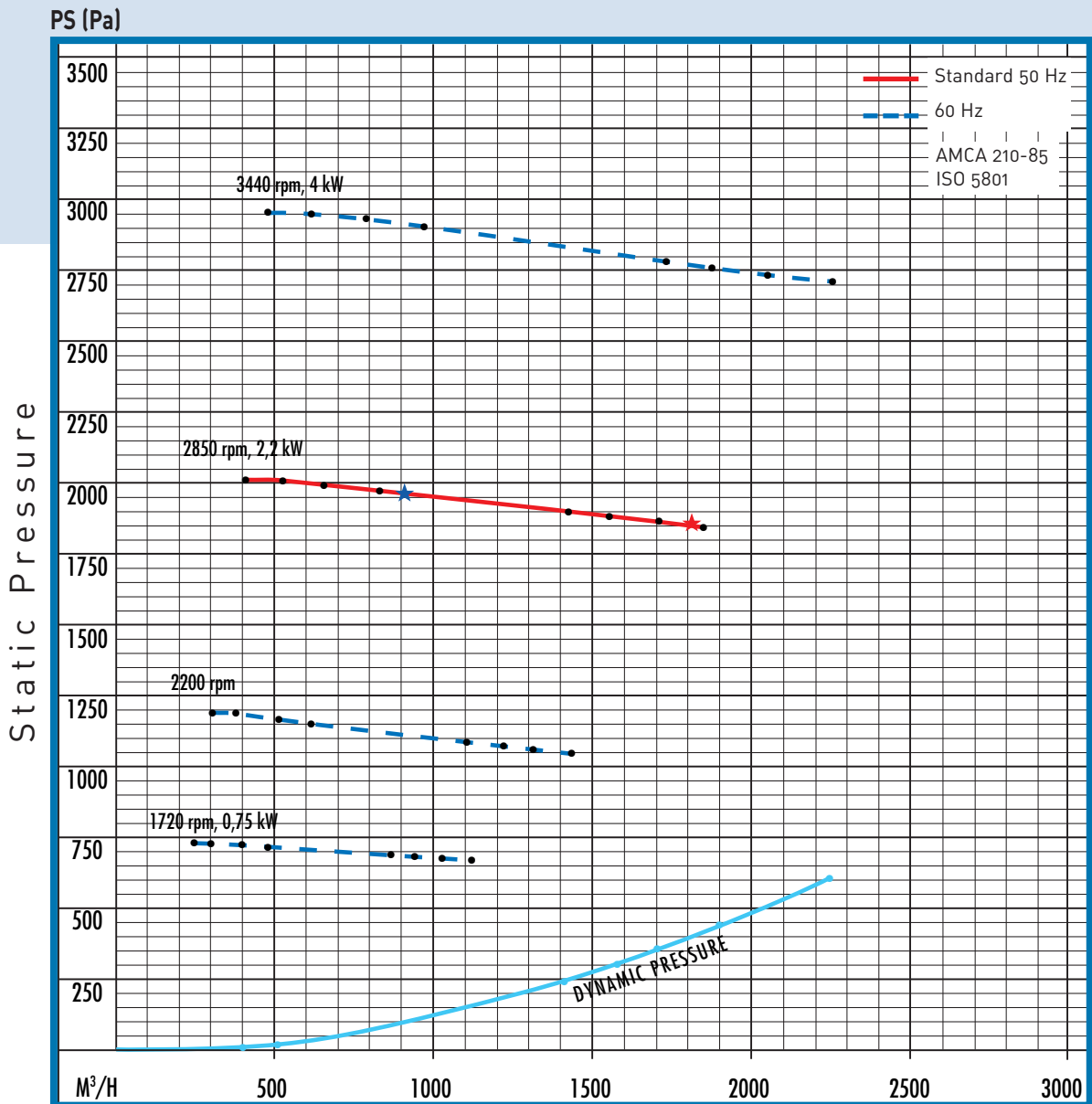


LG 270

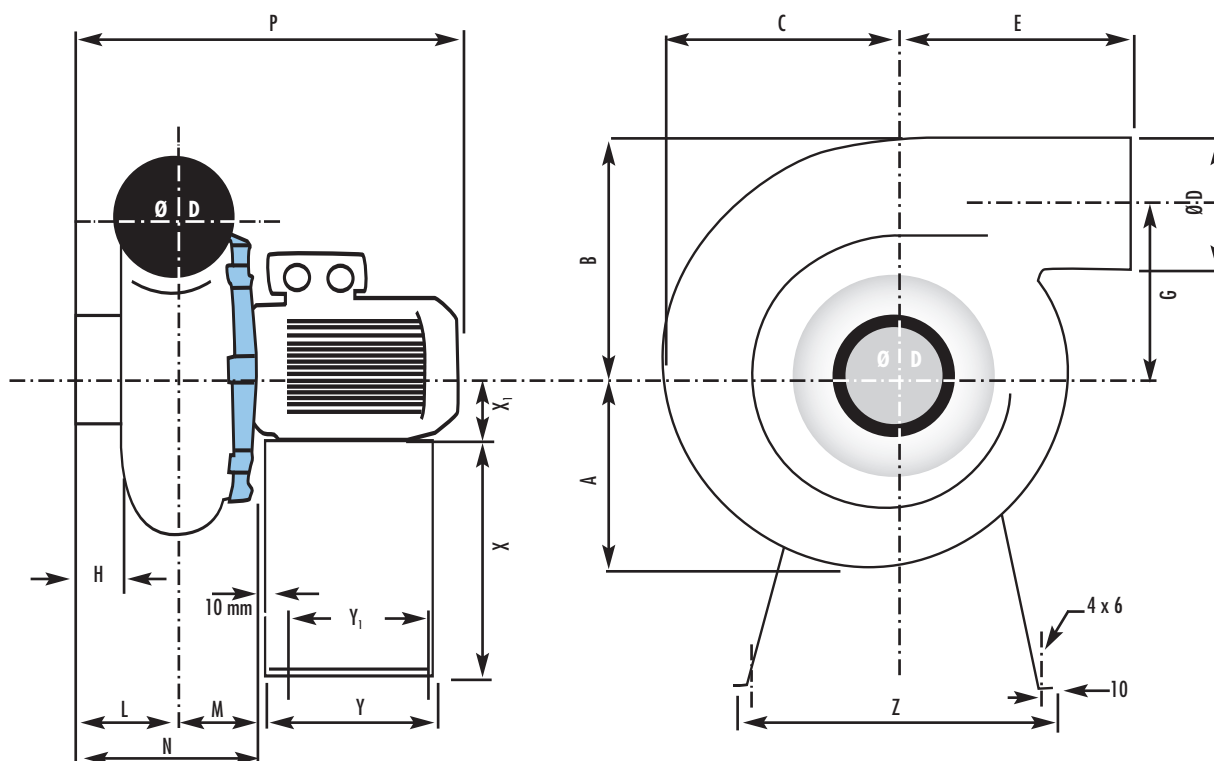


LG 135

STORM 16



| Sound level | | | | | | | | | | | |
|-------------|--------------|-------|--------|--------|--------|---------|---------|---------|----------|--------------|-----------------|
| Type | RPM | 50 Hz | 100 Hz | 250 Hz | 500 Hz | 1000 Hz | 2500 Hz | 5000 Hz | 10000 Hz | LW Global dB | LW Global dB(A) |
| STORM 16 | 2800/2 poles | 107,9 | 94,2 | 94 | 84 | 83,4 | 80,3 | 77,5 | 72,5 | 110 | 94,8 |



Dimensional data (mm). Metal stand does not come standard with fan (see accessories pricing).
Motor frame size may vary upon type of motor used.

| A | B | C | Ø D | E | G | H | L | M | N | P | Y | Y ₁ | Z | X | X ₁ |
|-----|-----|-----|-----|-----|-----|----|-----|----|-----|-----|-----|----------------|-----|-----|----------------|
| 235 | 288 | 278 | 160 | 262 | 205 | 40 | 100 | 97 | 197 | 477 | 240 | 160 | 420 | 300 | 90 |

Handings with IP55 motor type are viewed from inlet side - 45 degree adjustable



LG 0



LG 45



LG 90



LG 135



LG 180



LG 225



LG 270



LG 135