

LINEO

- Vortice Inline Mixed Flow Fan
- With 2 speed Motor

SPECIFICATION

Sizes

125, 150, 200, 250, 315mm diameter

Fan Performance

Vortice inline mixed flow 2 speed fan have certified airflow, pressure and noise level. The impeller is designed to give excellent performance characteristic with high static pressure development with out stall
Compact overall dimensions, ideal for installation in cramped area.

Motors

Asynchronous single phase motors. Motor enclosure to feature IPx4 protection. All models feature 2 speed operation. Motor winding insulation are to incorporate thermal class 155 as standard. Motor bearings are to be of maintenance free ball bearing design. Auto-reset thermal contacts are provided as standard.

Casing

Casing of the fans are of self-extinguishing VO plastic , with round spigot connection to suit either flexible duct or galvanised steel ductwork.

Test Procedures

Performance Date – Established from tests in accordance with ISO5801:1997

Sound levels – Established from tests in accordance with ISO3741



Vortice LINEO inline Mixed Flow fan

Inline Mixed Flow Fan



Impeller

Size 125 mm
 Type Mixed Flow
 Material Plastic
 Motor finish Zinc Coat

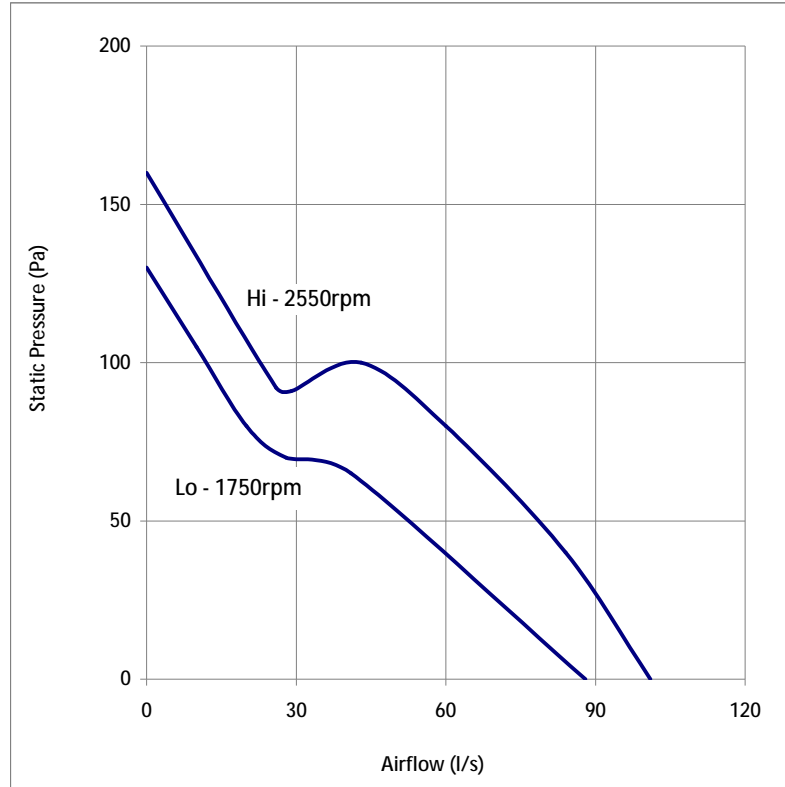
Motor

Type 2 Speed
 IP Rating X4
 Insulation Class II
 Power 33 w
 Power Supply 230V/1PH/50Hz
 Speed 2550 RPM
 FLC 0.15 A
 Capacitor 2 μ F
 Control Overload manual reset

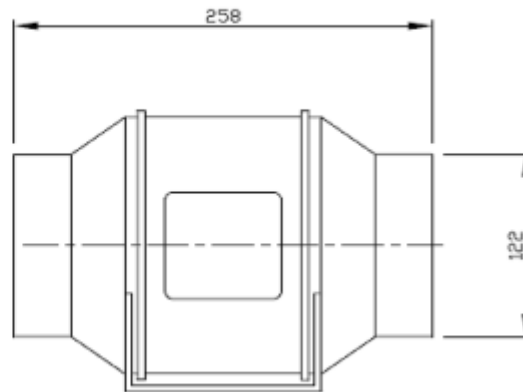
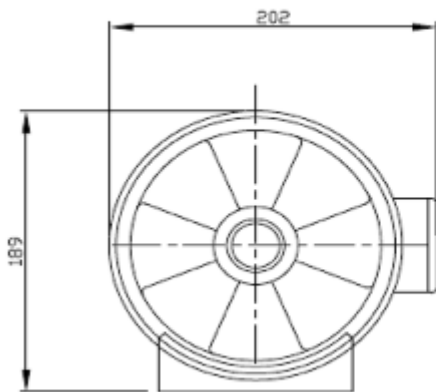
Fan

Case Self -extinguishing VO Plastic
 Weight 1.5 Kg
 Max. Temp 50 °C

LINEO125



Speed (rpm)	Peak Pressure (Pa)	Motor Power (w)	Motor Running Current (A)	Sound Power Level SWL (dB re 1pw)								Sound Pressure Level (dB at 3 meters)
				63	125	250	500	1k	2k	4k	8k	
2550	160	33	0.15	51	61	59	59	56	48	40	43	
1750	130	25	0.11	42	52	50	50	47	39	31	34	



Inline Mixed Flow Fan



Impeller

Size 150 mm
 Type Mixed Flow
 Material Plastic
 Motor finish Zinc Coat

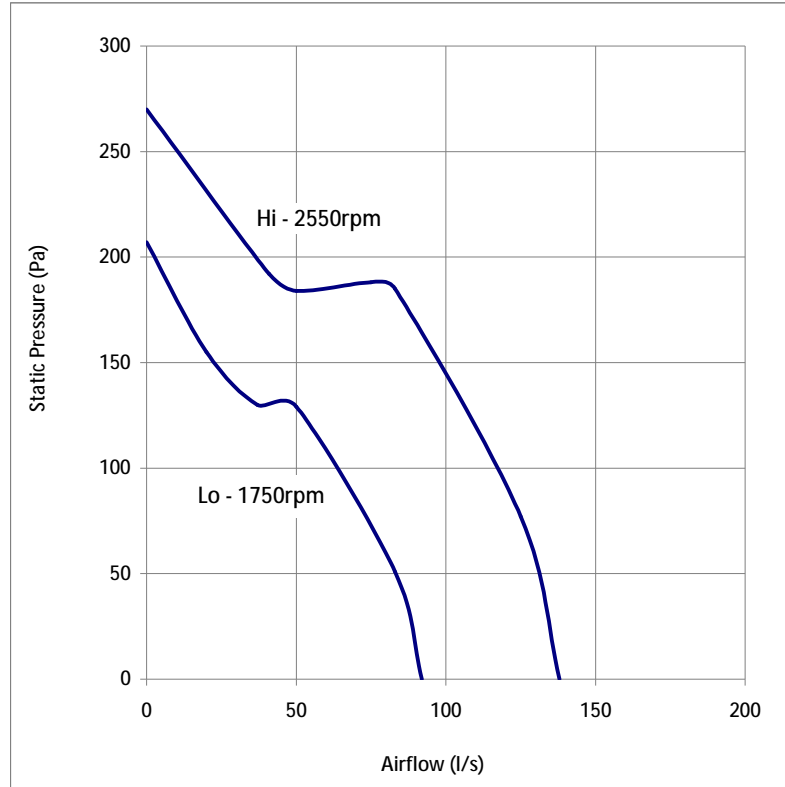
Motor

Type 2 Speed
 IP Rating X4
 Insulation Class II
 Power 58 w
 Power Supply 230V/1PH/50Hz
 Speed 2550 RPM
 FLC 0.26 A
 Capacitor 2 μ F
 Control Overload manual reset

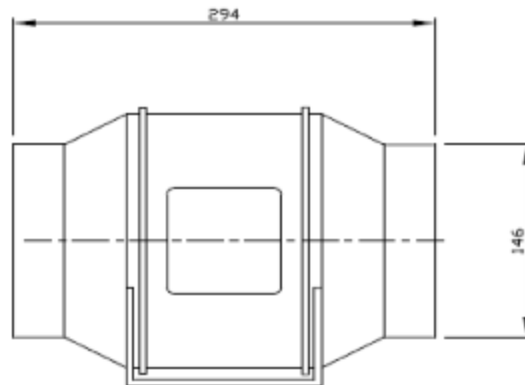
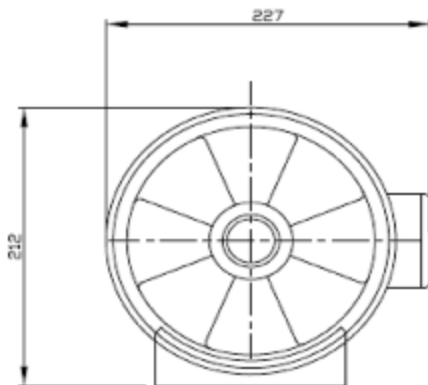
Fan

Case Self -extinguishing VO Plastic
 Weight 2 Kg
 Max. Temp 50 °C

LINEO150



Speed (rpm)	Peak Pressure (Pa)	Motor Power (w)	Motor Running Current (A)	Sound Power Level SWL (dB re 1pw)								Sound Pressure Level (dB at 3 meters)
				63	125	250	500	1k	2k	4k	8k	
2550	270	58	0.26	61	68	68	64	67	56	46	50	
1750	207	40	0.18	52	59	59	55	58	47	37	40	



Inline Mixed Flow Fan



Impeller

Size 200 mm
 Type Mixed Flow
 Material Plastic
 Motor finish Zinc Coat

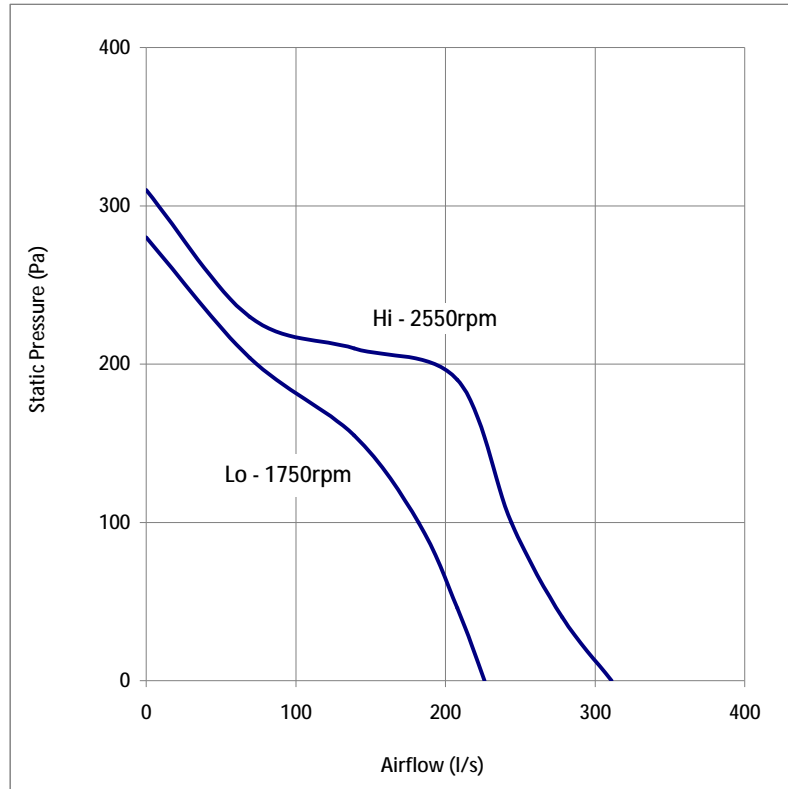
Motor

Type 2 Speed
 IP Rating X4
 Insulation Class II
 Power 0.15 Kw
 Power Supply 230V/1PH/50Hz
 Speed 2550 RPM
 FLC 0.64 A
 Capacitor 2 μ F
 Control Overload manual reset

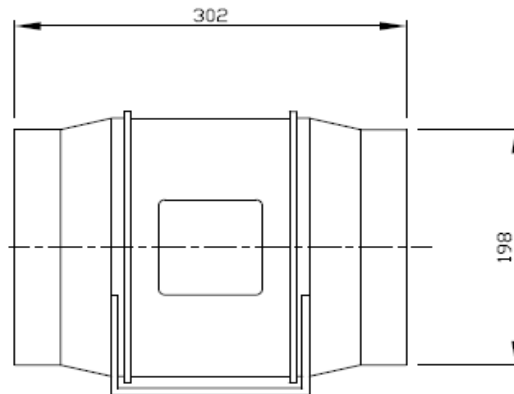
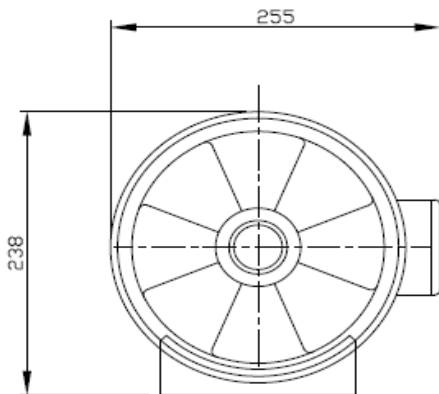
Fan

Case Self -extinguishing VO Plastic
 Weight 2.5 Kg
 Max. Temp 50 °C

LINEO200



Speed (rpm)	Peak Pressure (Pa)	Motor Power (w)	Motor Running Current (A)	Sound Power Level SWL (dB re 1pw)								Sound Pressure Level (dB at 3 meters)
				63	125	250	500	1k	2k	4k	8k	
2550	310	145	0.64	69	69	71	69	71	66	57	50	
1750	280	98	0.43	60	60	62	60	62	57	48	43	



Inline Mixed Flow Fan



Impeller

Size 250 mm
 Type Mixed Flow
 Material Plastic
 Motor finish Zinc Coat

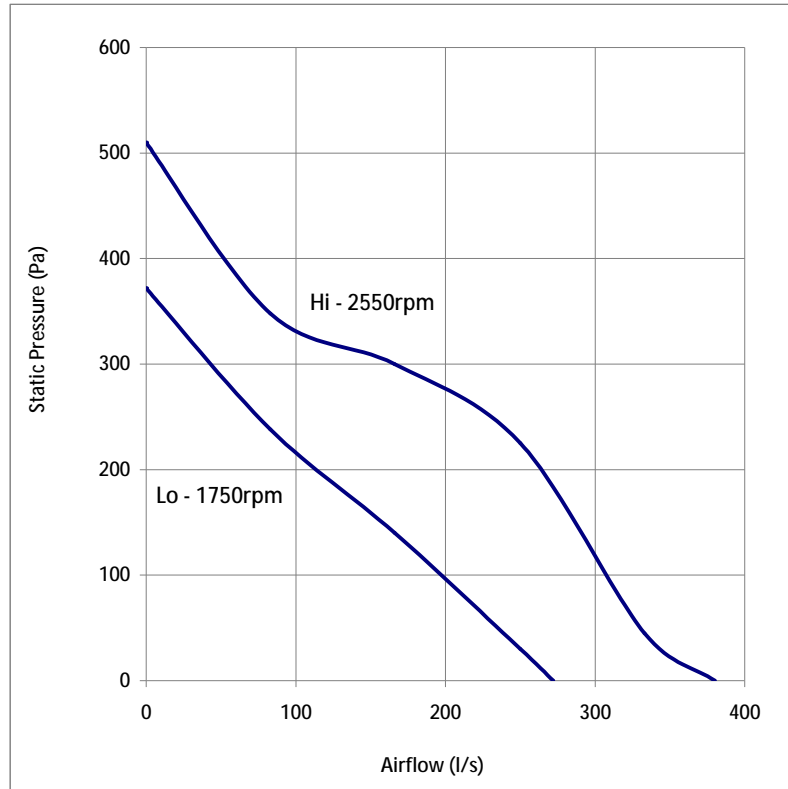
Motor

Type 2 Speed
 IP Rating X4
 Insulation Class II
 Power 0.18 Kw
 Power Supply 230V/1PH/50Hz
 Speed 2550 RPM
 FLC 0.78 A
 Capacitor 2.5 μ F
 Control
 Protection Overload manual reset

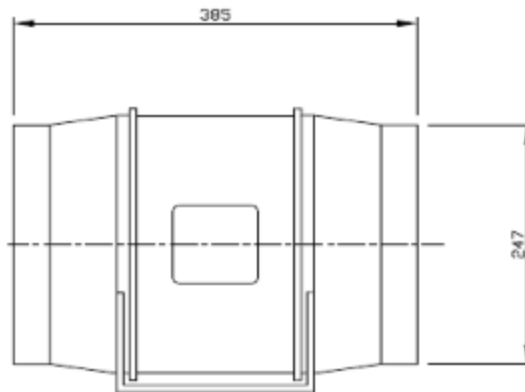
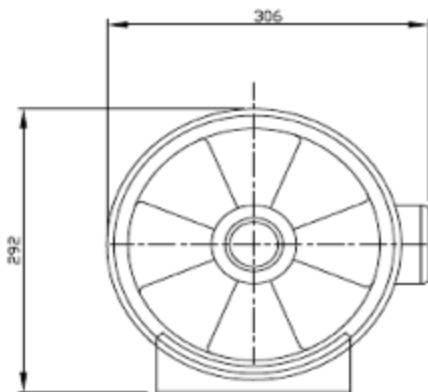
Fan

Case Self -extinguishing VO Plastic
 Weight 4 Kg
 Max. Temp 50 °C

LINEO250



Speed (rpm)	Peak Pressure (Pa)	Motor Power (w)	Motor Running Current (A)	Sound Power Level SWL (dB re 1pw)								Sound Pressure Level (dB at 3 meters)
				63	125	250	500	1k	2k	4k	8k	
2550	510	180	0.78	69	73	77	76	72	62	55	59	
1750	372	110	0.48	58	62	66	65	61	52	44	51	



Inline Mixed Flow Fan

LINEO315



Impeller

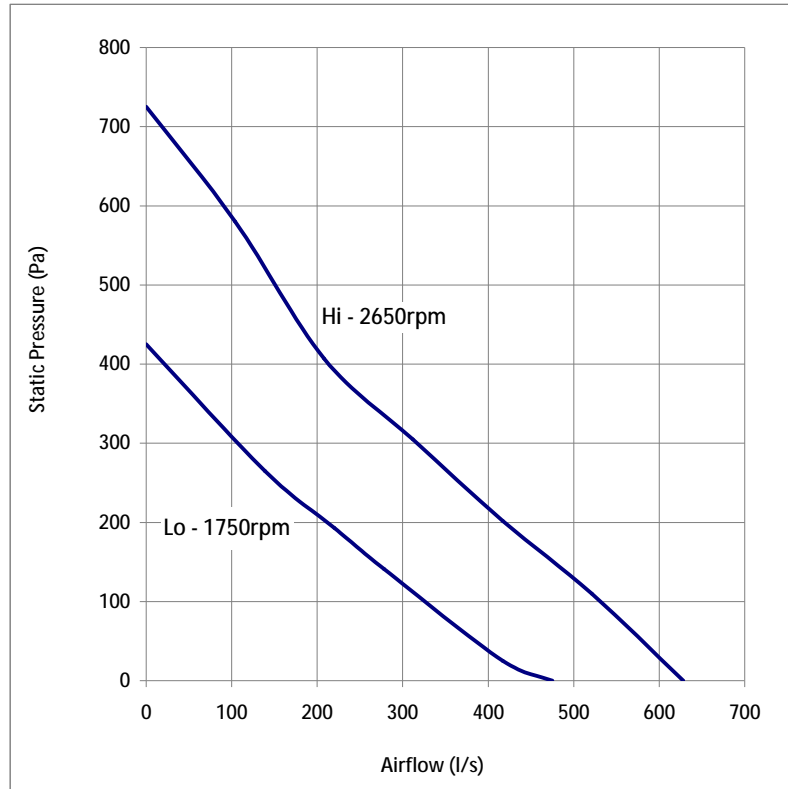
Size 300 mm
 Type Mixed Flow
 Material Plastic
 Motor finish Zinc Coat

Motor

Type 2 Speed
 IP Rating X4
 Insulation Class II
 Power 0.30 Kw
 Power Supply 230V/1PH/50Hz
 Speed 2650 RPM
 FLC 1.32 A
 Capacitor 3 μ F
 Control
 Protection Overload manual reset

Fan

Case Self -extinguishing VO Plastic
 Weight 5 Kg
 Max. Temp 50 °C



Speed (rpm)	Peak Pressure (Pa)	Motor Power (w)	Motor Running Current (A)	Sound Power Level SWL (dB re 1pw)								Sound Pressure Level (dB at 3 meters)
				63	125	250	500	1k	2k	4k	8k	
2650	725	300	1.32	73	78	79	81	76	67	59	63	
1750	425	200	0.90	66	71	72	74	69	60	52	50	

